



PRODUCT SELECTOR 7

**Fans for industrial,
commercial and
residential.
Fans for
professionals.**

FANS AND VENTILATION SYSTEMS
TO SUIT EVERY APPLICATION
ALL FROM S&P UK.





CRBB14-250/0814M E38 M12 Z

M 59 W

242

08

PLATE MOUNTED AXIAL FLOW FANS



HCBB/T series

Compact plate mounted axial fan.



AIRFLOW RANGE



70°C

MAXIMUM CONTINUOUS AIRSTREAM TEMPERATURE



MOTOR IN AIRSTREAM

12

PLATE MOUNTED AXIAL FLOW FANS



HXBR/T series

Plate mounted axial fans fitted with sickle blade impellers



AIRFLOW RANGE



70°C

MAXIMUM CONTINUOUS AIRSTREAM TEMPERATURE



MOTOR IN AIRSTREAM

15

LOW PRESSURE CASSED AXIAL FANS



TCBB/T series

Compact short cased inline axial fan.



AIRFLOW RANGE



70°C

MAXIMUM CONTINUOUS AIRSTREAM TEMPERATURE



MOTOR IN AIRSTREAM

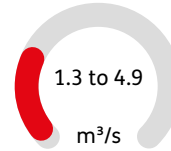
20

CONTRAFOIL HIGH PRESSURE AXIAL FANS



TCBBx2 series

Contra rotating inline axial fan.



AIRFLOW RANGE



70°C

MAXIMUM CONTINUOUS AIRSTREAM TEMPERATURE



MOTOR IN AIRSTREAM

22

INLINE MIXED FLOW DUCT FANS



TD MIXVENT series

Low profile inline mixed flow duct fans manufactured in tough reinforced plastic.



AIRFLOW RANGE



60°C

MAXIMUM CONTINUOUS AIRSTREAM TEMPERATURE



MOTOR IN AIRSTREAM

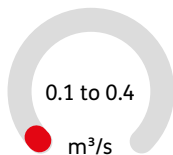
26

ULTRA QUIET
INLINE MIXED
FLOW DUCT FANS

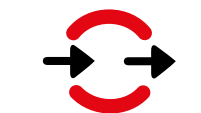


TD SILENT series

Low profile Mixed flow fans with sound absorbent insulation.



AIRFLOW RANGE



AIR SUPPLY &
EXTRACT VENTILATION

60°C

MAXIMUM CONTINUOUS
AIRSTREAM TEMPERATURE



MOTOR IN AIRSTREAM

32

SLIMLINE
CENTRIFUGAL
CIRCULAR DUCT
FANS

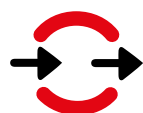


JETLINE Series

Inline fans for circular ducts, designed for high aerodynamic performance.



AIRFLOW RANGE



AIR SUPPLY &
EXTRACT VENTILATION

60°C

MAXIMUM CONTINUOUS
AIRSTREAM TEMPERATURE



MOTOR IN AIRSTREAM

36

CENTRIFUGAL
INLINE FANS

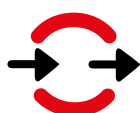


VENT series

Inline centrifugal duct fans, manufactured from high grade corrosion resistant pressed galvanised steel.



AIRFLOW RANGE



AIR SUPPLY &
EXTRACT VENTILATION

60°C

MAXIMUM CONTINUOUS
AIRSTREAM TEMPERATURE



MOTOR IN AIRSTREAM

38

LOW ENERGY
CIRCULAR
DUCT FANS

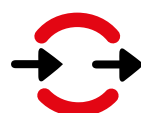


VENT ECOWATT series

Inline centrifugal duct fans with EC motors.



AIRFLOW RANGE



AIR SUPPLY &
EXTRACT VENTILATION

40°C

MAXIMUM CONTINUOUS
AIRSTREAM TEMPERATURE



MOTOR IN AIRSTREAM

40

ACOUSTIC
CABINET FANS

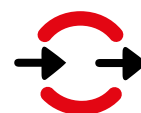


CAB series

Acoustic cabinet fans manufactured from heavy gauge galvanised steel sheet.



AIRFLOW RANGE



AIR SUPPLY &
EXTRACT VENTILATION

40°C

MAXIMUM CONTINUOUS
AIRSTREAM TEMPERATURE



MOTOR IN AIRSTREAM

42

LOW ENERGY
ACOUSTIC TWIN
FANS



CAB TWIN
ECOWATT series
Centrifugal twin fans
with EC motors and
acoustically lined cabinets.



AIRFLOW RANGE



40°C

MAXIMUM CONTINUOUS
AIRSTREAM TEMPERATURE



44

INLINE
RECTANGULAR
DUCT FANS



IRB/T series
Rectangular swing out
backward curved
impeller inline fan.



AIRFLOW RANGE



70°C

MAXIMUM CONTINUOUS
AIRSTREAM TEMPERATURE



46

ACOUSTIC
EXTRACT
BOX FANS



CVAB/T ND series
Double skinned backward
curved impeller
acoustic box fan.



AIRFLOW RANGE



60°C

MAXIMUM CONTINUOUS
AIRSTREAM TEMPERATURE



52

HIGH
TEMPERATURE
CENTRIFUGAL
BOX FANS



KABB/T series
High temperature motor out
of airstream, double skinned,
backward curved impeller
acoustic box fan.



AIRFLOW RANGE



100°C

MAXIMUM CONTINUOUS
AIRSTREAM TEMPERATURE



56

ROOF MOUNTED
MIXED
FLOW FANS



TH-MIXVENT /
ATEX series
Roof mounted mixed flow
fans, specially designed
for the extraction of
potentially hazardous and
explosive gases.



AIRFLOW RANGE



60°C

MAXIMUM CONTINUOUS
AIRSTREAM TEMPERATURE



60

COMPACT ROOF MOUNTED AXIAL FANS



HCBB/T series

Low profile horizontal or vertical discharge axial flow industrial roof fans.



AIRFLOW RANGE



AIR EXTRACT VENTILATION

70°C

MAXIMUM CONTINUOUS AIRSTREAM TEMPERATURE



MOTOR IN AIRSTREAM

64

CENTRIFUGAL ROOF MOUNTED FANS



CRHB/T N series

Roof mounted horizontal discharge backward curved impeller fans.



AIRFLOW RANGE



AIR EXTRACT VENTILATION

70°C

MAXIMUM CONTINUOUS AIRSTREAM TEMPERATURE



MOTOR IN AIRSTREAM

66

CENTRIFUGAL ROOF MOUNTED FANS



CRVB/T N series

Roof mounted vertical discharge backward curved impeller fan.



AIRFLOW RANGE



AIR EXTRACT VENTILATION

70°C

MAXIMUM CONTINUOUS AIRSTREAM TEMPERATURE



MOTOR IN AIRSTREAM

68

MOUNTING ACCESSORIES



PROTECTION GUARDS



SHUTTERS



ATTENUATORS



SUPPORTS



BACK DRAFT SHUTTERS



FILTERS

73

CONTROLS AND ELECTRICAL ACCESSORIES



SPEED CONTROLLERS



DIRECT ON LINE STARTER



SWITCHES



INVERTERS



INTELLIGENT CONTROLLERS



PIR SENSOR

80

WALL AND WINDOW EXTRACT FANS



HV-STYLVENT series

Axial flow fans for wall or window mounting applications



AIRFLOW RANGE



AIR EXTRACT VENTILATION

45°C

MAXIMUM CONTINUOUS AIRSTREAM TEMPERATURE



MOTOR IN AIRSTREAM

84

DOMESTIC EXTRACT FANS



SILENT series

A range of noise reducing axial extract fans with IP45 rating.



AIRFLOW RANGE



AIR EXTRACT VENTILATION

40°C

MAXIMUM CONTINUOUS AIRSTREAM TEMPERATURE



MOTOR IN AIRSTREAM

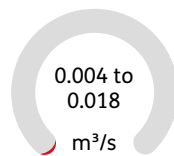
99

DOMESTIC DECENTRALISED MECHANICAL EXTRACT VENTILATION

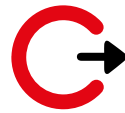


ECOAIR DESIGN ECOWATT series

A range of centrifugal extract fans fitted with DC efficient motors.



AIRFLOW RANGE



AIR EXTRACT VENTILATION

40°C

MAXIMUM CONTINUOUS AIRSTREAM TEMPERATURE



MOTOR IN AIRSTREAM

101

DOMESTIC MECHANICAL EXTRACT VENTILATION SYSTEM

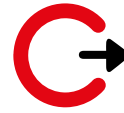


OZEO E ECOWATT

Entire house extract units ensuring continuous fresh air in residential dwellings.



AIRFLOW RANGE



AIR EXTRACT VENTILATION

40°C

MAXIMUM CONTINUOUS AIRSTREAM TEMPERATURE



MOTOR IN AIRSTREAM

NEXT DAY DELIVERY AS STANDARD†

S&P UK are pleased to support our network of Official H&V Distributors in the UK fan market with NEXT DAY DELIVERY AS STANDARD† and at NO ADDITIONAL COST.

We ensure that our **UK stock of H&V** products held at our warehouse in Ipswich is sufficient to support H&V Distributor sales with **NEXT DAY DELIVERY**.

This is our **STANDARD† UK DELIVERY** service to **Distributors** at most UK mainland addresses.

In areas where we are unable to provide a reliable next day service a 2 day service will be provided.

NB. For all net order values below £250 a small order delivery charge of £15 will be applied.

In addition to the **large stocks** of products from our H&V fan ranges we have also increased our stock levels of the **key accessories and matched ancillaries** required to complete the installation of the primary fan product. There will, of course, be occasions when we are unable to deliver **all** the items of an order on a next day service but we will continue to work towards these situations being few and far between.

To give us the best opportunity to meet or even exceed expectations and deliver orders by 5pm the next day, we are applying a **4pm cut-off time** for order processing purposes. Any orders received after 4pm will be processed and despatched the following working day for delivery the day after that. Our standard terms and conditions of sale apply.



* Not available in these locations

**NEXT DAY
delivery***

† Standard next day delivery applies to all catalogued products with prices.

PLATE MOUNTED AXIAL FLOW FANS

COMPACT HCBB / HCBT series

Range of low profile plate mounted axial fans fitted with aluminium impellers and single phase motor (HCBB) or three phase motor (HCBT) IP65 (1) Class F insulation (2), equipped with thermal protection (3).

(1) Models 800, 900 and 1000 are IP55.

(2) Working temperatures from -40°C up to +70°C.

Except models Ø 800, 900 and 1000 suitable for usage in environments from -20°C to +40°C.

(3) Except models Ø 800 to 1000.



Motors

Available, depending upon the model, with single or three phase motors in 4 poles.

All motors are speed controllable by auto-transformer except models /4-630, B/710, T/4-710, T/800, T/900 and T/1000.

Three phase models are speed controllable by inverter.

Electrical supplies:

Single phase 230V~50Hz.(except HCBB/4-250H 230~50/60Hz.

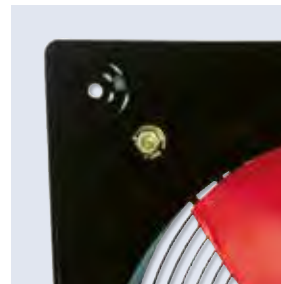
(Capacitor located inside the wiring terminal box).

Three phase 230/400V-50Hz or 400V-50Hz.

Standard air direction: form (A) configuration. (Motor over Impeller).



Configuration for models Ø 800 to 1000
Special design of motor over impeller, which provides compactness and tightness IP55.

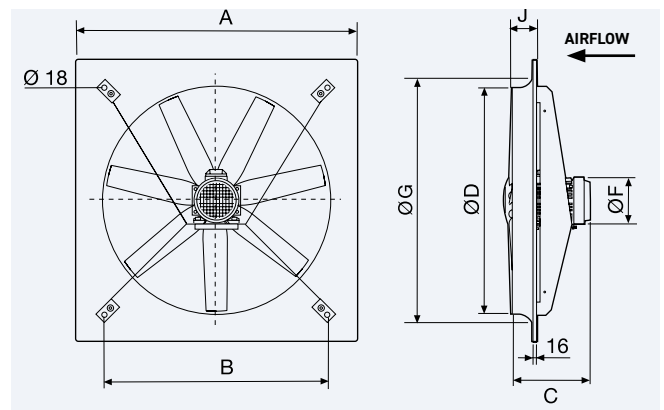
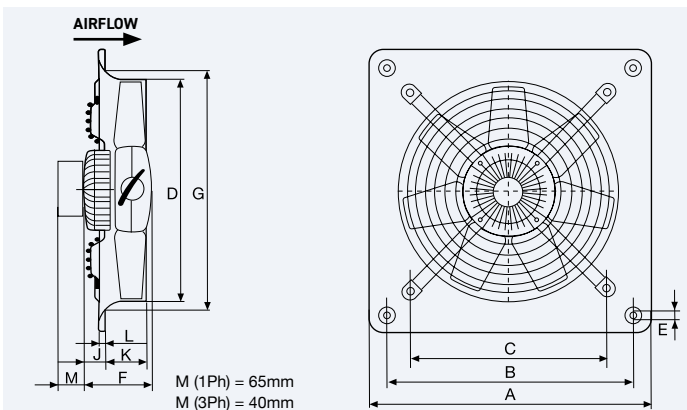


Corrosion resistance
Mounting plate, motor support and finger proof guard protected by cataforesis primer and black polyester paint finish. Stainless steel screws.



Terminal box
Wiring terminal box with cable gland PG-11.

DIMENSIONS (mm)



Model	□A	□B	C	ØD	ØE	F	ØG	J	K	L
250	315	260	220	254	10	122	294	59	53	12
315	400	330	280	315	10	122	329	32	68	12
355	450	380	315	355	10	129	371	45	75	12
400	500	420	355	400	10	129	422	40.5	78	12
450	560	480	400	450	10	150	476	48	91	12
500	630	560	450	500	10	150	536	44.5	97	12
560	710	630	510	560	10	218.5	596	110.5	98.5	12
630	800	710	580	630	12	218.5	674	110.5	103	12
710	900	800	636	710	12	218.5	733	134	91.5	16.5

Model	□A	□B	ØD	J	ØG	C		ØF	
						L	H	L	H
800	1000	800	800	92	926	345	380	181	203
900	1120	900	900	120	1060	392	439	203	280
1000	1250	1000	1000	110	1154	380	485	203	280

TECHNICAL DATA

Model	Speed (r.p.m.)	Maximum absorbed power (W)	Maximum current (A)		Sound pressure level @ 3m (dB(A))	Maximum air volume (m³/s)	Weight (Kg)	Speed controller		Inverter Control	
			230 V	400 V				ELECTRONIC	AUTO-TRANSFORMER	S&P VFD*	
SINGLE PHASE 4 POLE											
HCBB/4-250/H	1325	84	0,4		49	0.314	5	REB-1	REV-3N		
HCBB/4-315/H	1295	140	0,7		55	0.633	7	REB-1	REV-3N		
HCBB/4-355/H	1385	193	0,9		59	0.996	8	REB-3	REV-3N		
HCBB/4-400/H	1360	315	1,5		62	1.394	9	REB-3	REV-3N		
HCBB/4-450/H	1410	626	2,8		65	1.889	13	REB-3	REV-5N		
HCBB/4-500/H	1365	787	3,4		68	2.458	16	REB-5	REV-5N		
HCBB/4-560/H	1370	1266	5,7		70	3.721	22	REB-8	REV-7N		
HCBB/4-630/H	1360	1879	8,3		71	4.604	25	-	-		
THREE PHASE 4 POLE											
HCBT/4-250/H	1330	81	0,3	0,2	49	0.311	5		-	-M 10A	-T 5A
HCBT/4-315/H	1320	162	0,7	0,4	55	0.661	7		-	-M 10A	-T 5A
HCBT/4-355/H	1370	182	0,8	0,5	59	0.979	8		-	-M 10A	-T 5A
HCBT/4-400/H	1320	288	1,1	0,6	62	1.394	9		-	-M 10A	-T 5A
HCBT/4-450/H	1350	511	1,6	0,9	65	1.889	13		-	-M 10A	-T 5A
HCBT/4-500/H	1390	809	2,7	1,6	68	2.539	16		-	-M 10A	-T 5A
HCBT/4-560/H	1390	1287	4,0	2,3	70	3.598	22		-	-M 10A	-T 5A
HCBT/4-630/H	1385	1736	5,4	3,1	73	4.677	25		-	-M 10A	-T 5A
HCBT/4-710/H	1350	2554	7,6	4,4	74	6.203	27		-	-M 10A	-T 6.8A
HCBT/4-800/L-X (1,5 kW)	1410	2632	7,3	4,2	78	6.468	37		-	-M 10A	-T 5A
HCBT/4-800/H-X (3 kW)	1440	4595	12,8	7,4	84	9.193	52		-	-M 16A	-T 9A
HCBT/4-900/L-X (3 kW)	1450	3909	12,0	6,9	82	9.519	62		-	-M 16A	-T 9A
HCBT/4-900/H-X (5,5 kW)	1455	7893		13,4	87	13.819	112		-		-T 17A
HCBT/4-1000/L-X (3 kW)	1415	5048	14,2	8,2	86	11.193	67		-		-T 9A
HCBT/4-1000/H-X (7,5 kW)	1470	8675		14,6	93	14.855	101		-		-T 17A

* Inverter control: VFD-M - 1-Phase 230V Input, 3-Phase 230V Output.
VFD-T - 3-Phase 400V Input, 3-Phase 400V Output.

PERFORMANCE DATA

Airflow m³/s @ Static Pressure Pa

Model	0	25	50	75	100	125	150	175	200	250	300	350	400
SINGLE PHASE 4 POLE													
HCBB/4-250/H	0.314	0.268											
HCBB/4-315/H	0.633	0.567	0.439										
HCBB/4-355/H	0.996	0.921	0.836	0.718									
HCBB/4-400/H	1.394	1.299	1.191	1.045	0.839								
HCBB/4-450/H	1.889	1.807	1.720	1.613	1.470	1.326	1.194						
HCBB/4-500/H	2.458	2.369	2.271	2.150	1.993	1.824	1.651	1.463					
HCBB/4-560/H	3.721	3.620	3.512	3.390	3.245	3.074	2.886	2.685	2.482	2.283			
HCBB/4-630/H	4.604	4.495	4.346	4.194	4.039	3.879	3.707	3.514	3.278	2.969			
THREE PHASE 4 POLE													
HCBT/4-250/H	0.311	0.263											
HCBT/4-315/H	0.661	0.593	0.481										
HCBT/4-355/H	0.979	0.896	0.812	0.673									
HCBT/4-400/H	1.394	1.299	1.191	1.045	0.839								
HCBT/4-450/H	1.889	1.807	1.720	1.613	1.470	1.326	1.194						
HCBT/4-500/H	2.539	2.450	2.356	2.247	2.097	1.909	1.744						
HCBT/4-560/H	3.598	3.485	3.368	3.242	3.096	2.916	2.705	2.483	2.202				
HCBT/4-630/H	4.677	4.543	4.405	4.258	4.093	3.906	3.694	3.462	3.224				
HCBT/4-710/H	6.203	6.024	5.842	5.653	5.452	5.235	4.992	4.714	4.379	3.488			
HCBT/4-800/L-X (1,5kW)	6.468	6.314	6.156	5.993	5.817	5.624	5.408	5.159	4.882	4.315	3.525	2.862	2.395
HCBT/4-800/H-X (3kW)	9.193	9.029	8.862	8.690	8.511	8.319	8.107	7.871	7.601	6.925	6.117	5.268	4.475
HCBT/4-900/L-X (3kW)	9.519	9.312	9.103	8.890	8.668	8.435	8.188	7.922	7.635	6.982	6.227	5.395	4.386
HCBT/4-900/H-X (5,5kW)	13.819	13.566	13.314	13.061	12.809	12.555	12.298	12.033	11.757	11.137	10.401	9.545	8.591
HCBT/4-1000/L-X (3kW)	11.193	10.924	10.655	10.384	10.110	9.831	9.546	9.249	8.936	8.226	7.408	6.561	5.760
HCBT/4-1000/H-X (7,5kW)	14.855	14.551	14.287	13.661	13.970	13.388	13.099	12.756	12.406	11.688	11.004	10.166	9.246

HCBB/T COMPACT PLATE AXIAL FAN PRICES



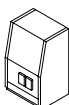
Code	Fan Model	Trade Price	Electronic Speed Controller	Trade Price	Transformer Speed Controller	Trade Price	Frequency Inverter S&P VFD 1/230v	Trade Price
------	-----------	-------------	-----------------------------	-------------	------------------------------	-------------	-----------------------------------	-------------

SINGLE PHASE 4 POLE

5603889600	HCBB/4-250/H *230V 50*	£196.71	REB-1	£64.08	REV-3N	£388.33		
5603638200	HCBB/4-315/H *230V 50*	£222.94	REB-1	£64.08	REV-3N	£388.33		
5603638900	HCBB/4-355/H *230V 50*	£251.36	REB-3	£78.64	REV-3N	£388.33		
5603139100	HCBB/4-400/H *230V 50*	£292.89	REB-3	£78.64	REV-3N	£468.42		
5603999400	HCBB/4-450/H *230V 50*	£332.23	REB-3	£78.64	REV-5N	£468.42		
5603255000	HCBB/4-500/H *230V 50*	£393.43	REB-5	£106.79	REV-5N	£468.42		
5603640400	HCBB/4-560/H *230V 50*	£596.30	REB-8	£211.08	REV-7N	£489.02		
5603641100	HCBB/4-630/H *230V 50*	£664.88						

THREE PHASE 4 POLE

5603957100	HCBT/4-250/H *230/400V 50*	£196.72					VFD-M10A	£489.25
5603643000	HCBT/4-315/H *230/400V 50*	£216.37					VFD-M10A	£489.25
5603643900	HCBT/4-355/H *230/400V 50*	£242.62					VFD-M10A	£489.25
5603546300	HCBT/4-400/H *230/400V 50*	£264.46					VFD-M10A	£489.25
5603557900	HCBT/4-450/H *230/400V 50*	£303.81					VFD-M10A	£489.25
5603053900	HCBT/4-500/H *230/400V 50*	£349.71					VFD-M10A	£489.25
5603644500	HCBT/4-560/H *230/400V 50*	£463.40					VFD-M10A	£489.25
5603645200	HCBT/4-630/H *230/400V 50*	£629.46					VFD-M10A	£489.25
5603913400	HCBT/4-710/H *230/400V 50*	£1,073.14					VFD-M10A	£489.25
5604383900	HCBT/4-800/L-X (1.5KW) *230/400V 50*	£701.91					VFD-M10A	£489.25
5604385400	HCBT/4-800/H-X (3.0KW) *230/400V 50*	£1,139.85					VFD-M16A	£596.37
5605723500	HCBT/4-900/L-X (3.0KW) *230/400V 50*	£851.80					VFD-M16A	£596.37
5605572600	HCBT/4-900/H-X (5.5KW) *400V 50*	£1,248.48						
5604377100	HCBT/4-1000/L-X (3.0KW) *230/400V 50*	£1,235.58						
5111935200	HCBT/4-1000/H-X (7.5KW) *400V 50*	£1,546.06						



Model	Frequency Inverter S&P VFD 3/400v	Trade Price	DOL Starter	Trade Price	Louvre Shutter Plastic	Trade Price	Wire Protection Guards Outlet	Trade Price	Wire Protection Guards Inlet	Trade Price
HCBB/4-250/H					PER-250W	£37.34	DEF-250D	£39.60		
HCBB/4-315/H					PER-355W	£43.92	DEF-325D	£44.62		
HCBB/4-355/H					PER-355W	£43.92	DEF-375D	£49.06		
HCBB/4-400/H					PER-400W	£46.11	DEF-450D	£60.13		
HCBB/4-450/H					PER-450W	£59.30	DEF-450D	£60.13		
HCBB/4-500/H					PER-500W	£69.19	DEF-525D	£66.95		
HCBB/4-560/H					PER-560W	£126.28	DEF-630D	£240.49		
HCBB/4-630/H					PER-630W	£142.75	DEF-630D	£240.49		

HCBT/4-250/H	VFD-T5A	£565.47	MSD 400V 0-25A	£227.62	PER-250W	£37.34	DEF-250D	£39.60		
HCBT/4-315/H	VFD-T5A	£565.47	MSD 400V 0-25A	£227.62	PER-355W	£43.92	DEF-325D	£44.62		
HCBT/4-355/H	VFD-T5A	£565.47	MSD 400V 0-25A	£227.62	PER-355W	£43.92	DEF-375D	£49.06		
HCBT/4-400/H	VFD-T5A	£565.47	MSD 400V 0-25A	£227.62	PER-400W	£46.11	DEF-450D	£60.13		
HCBT/4-450/H	VFD-T5A	£565.47	MSD 400V 0-25A	£227.62	PER-450W	£59.30	DEF-450D	£60.13		
HCBT/4-500/H	VFD-T5A	£565.47	MSD 400V 0-25A	£227.62	PER-500W	£69.19	DEF-525D	£66.95		
HCBT/4-560/H	VFD-T5A	£565.47	MSD 400V 0-25A	£227.62	PER-560W	£126.28	DEF-630D	£240.49		
HCBT/4-630/H	VFD-T5A	£565.47	MSD 400V 0-25A	£227.62	PER-630W	£142.75	DEF-630D	£240.49		
HCBT/4-710/H	VFD-T6.8A	£613.88	MSD 400V 0-25A	£227.62	PER-710W	£204.24	DEF-800D	£307.98		
HCBT/4-800/L-X (1.5KW)	VFD-T5A	£565.47	MSD 400V 0-25A	£227.62	PER-800W	£295.37	DEF-800D	£307.98	DEF-800AN	£275.24
HCBT/4-800/H-X (3.0KW)	VFD-T9A	£701.43	MSD 400V 0-25A	£227.62	PER-800W	£295.37	DEF-800D	£307.98	DEF-800AN	£275.24
HCBT/4-900/L-X (3.0KW)	VFD-T9A	£701.43	MSD 400V 0-25A	£227.62	PER-1000W	£367.84	DEF-1000D	£338.77		
HCBT/4-900/H-X (5.5KW)	VFD-T17A	£1,011.46	MSD 400V 0-25A	£227.62	PER-1000W	£367.84	DEF-1000D	£338.77		
HCBT/4-1000/L-X (3.0KW)	VFD-T9A	£701.43	MSD 400V 0-25A	£227.62	PER-1000W	£367.84	DEF-1000D	£338.77	DEF-1000AN	£386.31
HCBT/4-1000/H-X (7.5KW)	VFD-T17A	£1,011.46	MSD 400V 0-25A	£227.62	PER-1000W	£367.84	DEF-1000D	£338.77	DEF-1000AN	£386.31

* Inverter VFD option for 230V-50Hz Single Phase Input & 230V-50Hz Three Phase Output

ALL THREE-PHASE MODELS
WHERE CONTROLLED BY A VFD



Speed Controller	Trade Price
REB-CVF 0-10V	£121.96



MORE PERFORMANCE. MORE CONTROL.

We'll help you find products built for your specific line of business or help you innovate with custom systems and installations.

Get help with specifying.

Have a question?
Speak to an S&P Product Selector Specialist.

Call us on 0845 4700074

PLATE MOUNTED AXIAL FLOW FANS

COMPACT HXBR / HXTR series

Plate mounted axial flow fans manufactured from high grade galvanised steel and provided with a Sickle blade impeller, low sound level, protected against corrosion by cataforesis primer and a polyester black paint finish, single phase external rotor motor (HXBR) or three phase motor (HXTR), IP44 (models 200 to 400) or IP54 (models 450 to 630), Class F, equipped with thermal protection and terminal box with capacitor incorporated in single phase models.



Motors

4 pole

Electrical supplies:

Single phase 230V-50Hz

Three phase 400V-50Hz

230/400V-50Hz (models 250)

Three phase motors suitable for inverter control.

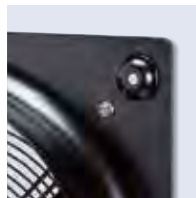
Additional information

Standard air direction: form (A) configuration (motor over impeller).



Compact design

This very low profile design optimises airflow performances whilst minimising noise generation.



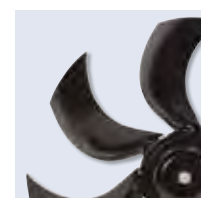
Corrosion resistance

Mounting plate, motor support and finger proof guard protected by cataforesis primer and black polyester paint finish. Stainless steel screws.



Terminal box

Capacitor incorporated in single phase models.



High efficiency "Sickle blade" impeller

Designed to ensure the highest and most efficient airflow performance with the lowest noise level. Dynamically balanced to ISO 1940 standard. Manufactured from aluminium plate; Ø 250 to 355 models are manufactured from pressed sheet steel.

DIMENSIONS (mm)

Model	□A	□B	□C	ØD	ØD1	ØD2	E	F		HT		J	K	L	M	
								Single Phase	Three phase	Single phase	Three phase				Single phase	Three phase
								/4	/4							
250	315	260	220	250	261	290	10	0	0	126	126	33	53	12	73	73
315	400	330	280	315	320	365	10	0	0	149	149	41	68	12	82	82
355	450	380	315	355	363	411	10	0	0	156	156	41	75	12	82	82
400	500	420	355	400	410	464	10	12	0	200	176	92	78	12	122	97
450	560	480	400	450	457	522	10	0	0	204	179	68	91	12	114	89
500	630	560	450	500	512	572	10	13	13	201	176	60	97	12	104	79
560	710	630	510	560	570	649	10	20	20	213	188	70	99	12	114	89
630	800	710	580	630	640	730	12	25	25	207	182	60	103	12	104	79

TECHNICAL DATA

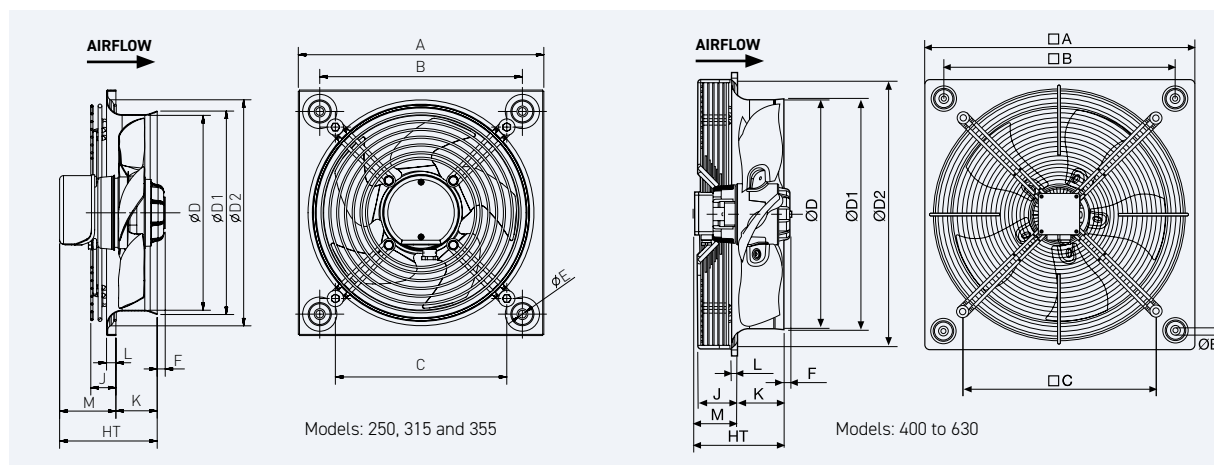
Before installation check that the product electrical characteristics listed on the data plate label (voltage, power, frequency, etc.) match those of the intended electrical supply.

Model	Speed (r.p.m.)	Voltage	Maximum absorbed power (W)	Maximum current (A)		Sound pressure level @3m (dB(A))	Max. airflow (m³/s)	Operating temperature range (°C)		Weight (kg)	Speed controller		Variable Frequency Inverter	
				230 V	400 V			Min.	Max.		ELECTRONIC	AUTO-TRANSFORMER	S&P VFD*	
SINGLE PHASE 4 POLE														
HXBR/4-250	1440	230V 50Hz	42	0.2	-	47	0.211	-40	+60	6.5	REB-1	REV-3N		-
HXBR/4-315	1445	230V 50Hz	112	0.6	-	53	0.542	-40	+40	7	REB-1	REV-3N		-
HXBR/4-355	1400	230V 50Hz	145	0.7	-	59	0.797	-40	+60	7.5	REB-1	REV-3N		-
HXBR/4-400	1395	230V 50Hz	268	1.2	-	61	1.412	-40	+65	9	REB-3	REV-3N		-
HXBR/4-450	1395	230V 50Hz	450	2	-	64	1.954	-40	+50	11.5	REB-3	REV-3N		-
HXBR/4-500	1425	230V 50Hz	867	3.6	-	67	2.437	-40	+70	16	REB-5	REV-5N		-
HXBR/4-560	1420	230V 50Hz	1084	4.6	-	69	3.112	-40	+45	21.5	REB-5	REV-5N		-
HXBR/4-630	1455	230V 50Hz	1252	5.5	-	67	3.892	-40	+40	24	REB-7	REV-7N		-
THREE PHASE 4 POLE														
HXTR/4-250	1475	230/400V 50Hz	47	0.4	0.2	47	0.214	-40	+60	6.5	-	-	S&P VFD-M10A	S&P VFD-T 5A
HXTR/4-315	1450	400V 50Hz	98	-	0.3	53	0.560	-40	+70	7	-	-		S&P VFD-T 5A
HXTR/4-355	1410	400V 50Hz	145	-	0.4	59	0.802	-40	+70	7.5	-	-		S&P VFD-T 5A
HXTR/4-400	1400	400V 50Hz	236	-	0.5	61	1.285	-40	+60	9	-	-		S&P VFD-T 5A
HXTR/4-450	1420	400V 50Hz	450	-	0.9	64	1.291	-40	+60	11.5	-	-		S&P VFD-T 5A
HXTR/4-500	1410	400V 50Hz	891	-	1.7	67	2.642	-40	+70	16	-	-		S&P VFD-T 5A
HXTR/4-560	1410	400V 50Hz	1201	-	2.4	69	3.344	-40	+70	21.5	-	-		S&P VFD-T 5A
HXTR/4-630	1420	400V 50Hz	1066	-	2.2	67	3.811	-40	+60	24	-	-		S&P VFD-T 5A

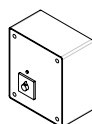
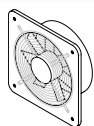
* Inverter control: VFD-M - 1-Phase 230V Input, 3-Phase 230V Output.
VFD-T - 3-Phase 400V Input, 3-Phase 400V Output.

PERFORMANCE DATA

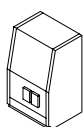
Model	Airflow m³/s @ Static Pressure Pa												
	0	25	50	75	100	125	150	175	200	225	250	275	300
SINGLE PHASE 4 POLE													
HXBR/4-250	0.211	0.141											
HXBR/4-315	0.542	0.496	0.436										
HXBR/4-355	0.797	0.723	0.607	0.511									
HXBR/4-400	1.412	1.277	1.156	1.027									
HXBR/4-450	1.954	1.834	1.713	1.577	1.373	1.142							
HXBR/4-500	2.437	2.346	2.251	2.148	2.025	1.874	1.690	1.482	1.258				
HXBR/4-560	3.112	2.994	2.874	2.747	2.601	2.403	2.157	1.973	1.791				
HXBR/4-630	3.892	3.745	3.588	3.416	3.226	3.005	2.658	2.340					
THREE PHASE 4 POLE													
HXTR/4-250	0.214	0.152											
HXTR/4-315	0.560	0.516	0.450	0.375									
HXTR/4-355	0.802	0.736	0.646	0.554									
HXTR/4-400	1.285	1.195	1.097	0.947									
HXTR/4-450	1.921	1.829	1.726	1.588	1.399	1.192							
HXTR/4-500	2.642	2.543	2.443	2.333	2.195	1.941	1.739	1.600					
HXTR/4-560	3.344	3.226	3.101	2.963	2.792	2.588	2.396	2.204	1.884				
HXTR/4-630	3.811	3.638	3.455	3.244	2.988	2.710	2.385						



HXBR/TR ROTOREX PLATE AXIAL FAN PRICES

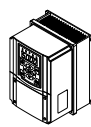


Code	Model	Trade Price	Electronic Speed Controller	Trade Price	Transformer Speed Controller	Trade Price	Louvre Shutter Plastic	Trade Price	Wire Protection Guards Inlet	Trade Price
SINGLE PHASE 4 POLE										
5750251000	HXBR/4-250 *230V 50*	£167.74	REB-1	£64.08	REV-3N	£388.33	PER-250 W	£37.34	DEF-250 D	£39.60
5750252800	HXBR/4-315 *230V 50*	£222.94	REB-1	£64.08	REV-3N	£388.33	PER-355 W	£43.92	DEF-325 D	£44.62
5750256900	HXBR/4-355 *230V 50*	£251.36	REB-1	£64.08	REV-3N	£388.33	PER-355 W	£43.92	DEF-375 D	£49.06
5740039300	HXBR/4-400 *230V 50* C	£264.46	REB-3	£78.64	REV-3N	£388.33	PER-400 W	£46.11	DEF-450 D	£60.13
5740042600	HXBR/4-450 *230V 50* C	£332.23	REB-3	£78.64	REV-3N	£468.42	PER-450 W	£59.30	DEF-450 D	£60.13
5700381700	HXBR/4-500 *230V 50* C	£393.43	REB-5	£106.79	REV-5N	£468.42	PER-500 W	£69.19	DEF-525 D	£66.95
5700597300	HXBR/4-560 *230V 50* C	£567.90			REV-7N	£489.02	PER-560 W	£126.28	DEF-630 D	£240.49
5700390800	HXBR/4-630 *230V 50* C	£664.88			REV-7N	£489.02	PER-630 W	£142.75	DEF-630 D	£240.49
THREE PHASE 4 POLE										
5750253600	HXTR/4-250 *230/400V 50/60*	£239.39					PER-250 W	£37.34	DEF-250 D	£39.60
5750255100	HXTR/4-315 *400V 50*	£216.37					PER-355 W	£43.92	DEF-325 D	£44.62
5750257700	HXTR/4-355 *400V 50/60*	£242.62					PER-355 W	£43.92	DEF-375 D	£49.06
5740038500	HXTR/4-400 *400V 50* C	£264.46					PER-400 W	£46.11	DEF-450 D	£60.13
5740051700	HXTR/4-450 *400V 50* C	£303.81					PER-450 W	£59.30	DEF-450 D	£60.13
5700384200	HXTR/4-500 *400V 50* C	£349.71					PER-500 W	£69.19	DEF-525 D	£66.95
5700388300	HXTR/4-560 *400V 50* C	£404.17					PER-560 W	£126.28	DEF-630 D	£240.49
5700392300	HXTR/4-630 *400V 50* C	£582.05					PER-630 W	£142.75	DEF-630 D	£240.49



THREE PHASE MODELS

DOL Starter	Trade Price
MSD 0-25A	£227.62



THREE PHASE MODELS

Frequency Inverter	Trade Price
HTXR/4-250 ONLY	
1/230V	
S&P VFD-M10A	£489.25
ALL THREE PHASE MODELS	
3/400V	
S&P VFD-T5A	£565.47

ALL THREE-PHASE MODELS WHERE CONTROLLED BY A VFD



Speed Controller	Trade Price
REB-CVF 0-10V	£121.96

CYLINDRICAL CASED AXIAL FLOW FANS

COMPACT TCBB / TCBT series

Range of cylindrical cased axial flow fans fitted with aluminium impellers and manufactured from high grade rolled galvanised steel and protected against corrosion by cataforesis primer and black polyester paint finish.

All models are supplied with pre-wired wiring junction box located on the outside of the fan casing for easy wiring access.

Available with 4 pole single or three phase motors.

Motors

Single phase motor (TCBB) or three phase motor (TCBT).

Models 250, 315, 355 and 400: External rotor motor, IP44, Class F, thermal protection, working temperature from -40°C to $+70^{\circ}\text{C}$.

Models 450, 500, 560 and 630: IP65, Class F, thermal protection, working temperature from -40°C to $+70^{\circ}\text{C}$.

Models 4/710 and 800: IP55, Class F, working temperature from -40°C to $+70^{\circ}\text{C}$.

All motors are speed controllable by autotransformer except models /4-560H, /4-630, 710 and T/800.

Three phase motors are speed controllable by inverter.

Electrical supplies:

Single phase 230V-50Hz.

(Capacitor located inside the wiring terminal box).

Three phase 230/400V-50Hz or 400V-50Hz.

NEXT DAY
delivery*



Configuration for models 450-630.



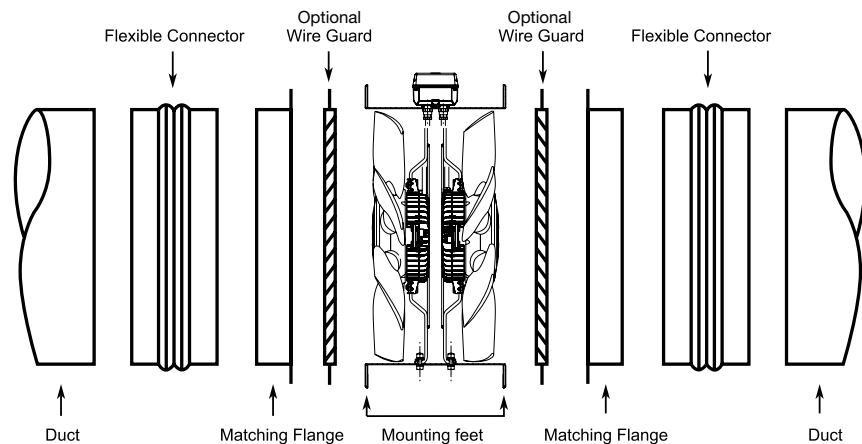
Configuration for models /4-710 and 800.



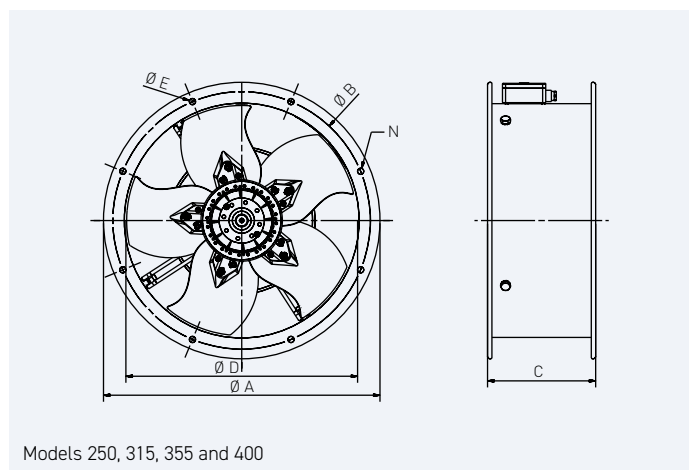
Configuration for models 250, 315, 355 and 400.

Standard airflow direction: Form B (impeller over motor)

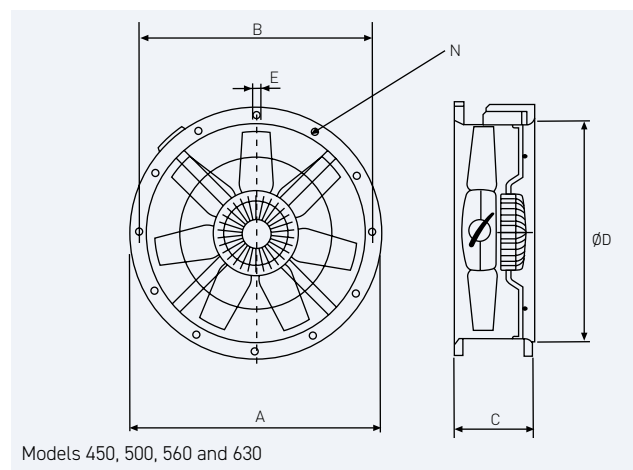
MOUNTING ACCESSORIES



DIMENSIONS (mm)

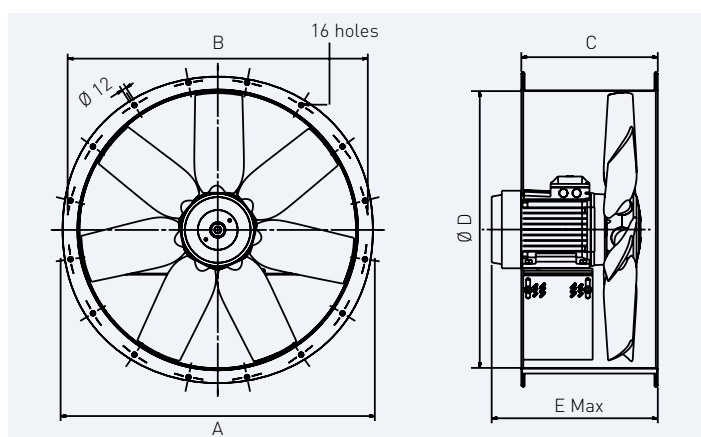


Models 250, 315, 355 and 400



Models 450, 500, 560 and 630

Model	Ø A	Ø B	C	Ø D	Ø E	Number of holes N
250	327	292	170	254	10	4
315	386	355	170	315	10	8
355	426	395	170	355	10	8
400	487	450	210	400	12	8
450	537	500	180	450	12	8
500	595	560	180	500	12	12
560	655	620	240	560	12	12
630	725	690	240	630	12	12



Model	Ø A	B	C	Ø D	E
					4 poles
710/L (4 poles)	806	770	380	710	415
710/H (4 poles)	806	770	380	710	444
800/L	896	860	380	800	437
800/K	896	860	380	800	448
800/G	896	860	380	800	447 (5,5kW) 515 (7,5kW)
800/H	896	860	380	800	515

TECHNICAL CHARACTERISTICS

Model	Speed (r.p.m.)	Maximum absorbed power (W)	Maximum current (A)		Sound pressure level @ 3m (dB(A))	Max. air volume (m ³ /s)	Weight (kg)	Speed controller		Variable frequency inverter	
			230 V	400 V				ELECTRONIC	AUTO-TRANSFORMER	S&P VFD*	
SINGLE PHASE 4 POLE											
TCBB/4-250/H	1430	44	0.2	-	42	0.249	8	REB-1	REV-3N		
TCBB/4-315/H	1435	105	0.6	-	52	0.553	11	REB-1	REV-3N		
TCBB/4-355/H	1420	120	0.6	-	52	0.684	13.2	REB-1	REV-3N		
TCBB/4-400/H	1420	360	1.6	-	60	1.402	15.5	REB-3	REV-3N		
TCBB/4-450/H	1410	594	2.6	-	63	1.928	21	REB-5	REV-5N		
TCBB/4-500/H	1410	636	2.8	-	66	2.084	25	REB-5	REV-5N		
TCBB/4-560/L	1405	1289	6	-	68	3.325	33	REB-6	REV-7N		
TCBB/4-560/H	1390	1461	6.6	-	69	3.384	34.7	-			
TCBB/4-630/L	1365	1707	7.5	-	70	4.439	40	-			

THREE PHASE 4 POLE

TCBT/4-250/H	1470	42	0.3	0.2	42	0.248	8	-	-	S&P VFD-M10A	S&P VFD-T 5A
TCBT/4-315/H	1445	99	0.5	0.3	51	0.540	11	-	-	S&P VFD-M10A	S&P VFD-T 5A
TCBT/4-355/H	1415	117	0.5	0.3	52	0.686	13.2	-	-	S&P VFD-M10A	S&P VFD-T 5A
TCBT/4-400/H	1410	268	1.0	0.6	60	1.376	15.5	-	-	S&P VFD-M10A	S&P VFD-T 5A
TCBT/4-450/H	1405	526	1.9	1.1	63	1.848	21	-	-	S&P VFD-M10A	S&P VFD-T 5A
TCBT/4-500/H	1420	641	2.6	1.5	66	2.108	25	-	-	S&P VFD-M10A	S&P VFD-T 5A
TCBT/4-560/L	1415	1184	3.8	2.2	68	3.359	33	-	-	S&P VFD-M10A	S&P VFD-T 5A
TCBT/4-560/H	1390	1348	4.2	2.4	69	3.714	34.7	-	-	S&P VFD-M10A	S&P VFD-T 5A
TCBT/4-630/L	1410	1770	5.9	3.4	70	4.547	39	-	-	S&P VFD-M10A	S&P VFD-T 5A
TCBT/4-630/H	1400	1940	6.2	3.6	70	4.731	40	-	-	S&P VFD-M10A	S&P VFD-T 5A
TCBT/4-710/L	1435	2175	6.4	3.7	73	5.636	46	-	-	S&P VFD-M10A	S&P VFD-T 5A
TCBT/4-710/H	1460	3441	10.6	6.1	73	7.338	54	-	-	S&P VFD-M16A	S&P VFD-T 9A
TCBT/4-800/L	1460	3750	11.3	6.5	76	8319	65	-	-	S&P VFD-M16A	S&P VFD-T 9A
TCBT/4-800/K	1460	5177	-	8.8	76	9.708	68	-	-	-	S&P VFD-T 13A
TCBT/4-800/G	1470	6146	-	11.1	77	10.695	81	-	-	-	S&P VFD-T 13A
TCBT/4-800/H	1475	7688	-	13	78	11.804	89	-	-	-	S&P VFD-T 17A

* Inverter control: VFD-M - 1-Phase 230V Input, 3-Phase 230V Output.
VFD-T - 3-Phase 400V Input, 3-Phase 400V Output.

TCBB/T AXIAL CASED FAN PERFORMANCE DATA

Airflow m³/s @ Static Pressure Pa

Model	0	25	50	75	100	125	150	175	200	250	300	350
SINGLE PHASE 4 POLE												
TCBB/4-250/H	0.249	0.176										
TCBB/4-315/H	0.553	0.501	0.425									
TCBB/4-355/H	0.684	0.623	0.554	0.324								
TCBB/4-400/H	1.402	1.312	1.218	0.980								
TCBB/4-450/H	1.928	1.864	1.782	1.618	1.512	1.425						
TCBB/4-500/H	2.084	2.015	1.942	1.860	1.762	1.633	1.465					
TCBB/4-560/L	3.325	3.241	3.154	3.060	2.954	2.829	2.671	2.474	2.249			
TCBB/4-560/H	3.384	3.298	3.211	3.121	3.027	2.920	2.777	2.558				
TCBB/4-630/L	4.439	4.322	4.203	4.080	3.951	3.808	3.646	3.460	3.247			
THREE PHASE 4 POLE												
TCBT/4-250/H	0.248	0.136										
TCBT/4-315/H	0.540	0.507	0.459									
TCBT/4-355/H	0.686	0.622	0.538									
TCBT/4-400/H	1.376	1.276	1.181	0.976								
TCBT/4-450/H	1.848	1.763	1.674	1.575	1.462	1.330						
TCBT/4-500/H	2.108	2.037	1.964	1.884	1.795	1.686	1.539					
TCBT/4-560/L	3.359	3.272	3.180	3.083	2.971	2.837	2.663	2.451	2.192			
TCBT/4-560/H	3.714	3.616	3.515	3.403	3.265	3.080	2.838	2.603				
TCBT/4-630/L	4.547	4.431	4.312	4.187	4.053	3.904	3.739	3.557	3.363	2.819		
TCBT/4-630/H	4.731	4.627	4.519	4.406	4.281	4.136	3.959	3.733	3.492	3.052		
TCBT/4-710/L (1,5kW)	5.636	5.493	5.349	5.206	5.064	4.921	4.776	4.628	4.469	4.052	3.030	
TCBT/4-710/H (3kW)	7.338	7.193	7.047	6.898	6.743	6.580	6.406	6.220	6.018	5.587	5.170	
TCBT/4-800/L (3kW)	8.319	8.170	8.020	7.868	7.712	7.550	7.380	7.200	7.005	6.544	5.926	4.634
TCBT/4-800/K (4kW)	9.708	9.549	9.390	9.228	9.064	8.895	8.719	8.536	8.343	7.912	7.364	6.363
TCBT/4-800/G (5,5kW)	10.695	10.496	10.297	10.095	9.889	9.679	9.461	9.236	9.000	8.493	7.939	7.266
TCBT/4-800/H (7,5kW)	11.804	11.587	11.371	11.154	10.937	10.719	10.501	10.283	10.066	9.630	9.162	8.540

TCBB/T COMPACT CASED AXIAL FAN PRICES



Code	Model	Trade Price	Electronic Speed Ctrl*	Trade Price	Transformer Speed Ctrl	Trade Price	Inverter VFD 1Ph in to 3Ph out IP65 S&P VFD 1/230V	Trade Price	Inverter VFD 3Ph in to 3Ph out IP65 S&P VFD 3/400V	Trade Price
------	-------	-------------	------------------------	-------------	------------------------	-------------	--	-------------	--	-------------

SINGLE PHASE 4 POLE

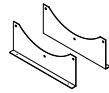
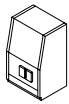
5705079700	TCBB/4-250/H- *230V 50/60*	£286.34	REB-1	£64.08	REV-3N	£388.33				
5705079800	TCBB/4-315/H- *230V 50*	£305.98	REB-1	£64.08	REV-3N	£388.33				
5705079900	TCBB/4-355/H- *230V 50*	£319.11	REB-1	£64.08	REV-3N	£388.33				
5740124200	TCBB/4-400/H- *230V 50*	£367.17	REB-3	£78.64	REV-3N	£388.33				
5604636400	TCBB/4-450/H- *230V 50*	£459.01	REB-5	£106.79	REV-5N	£468.42				
5604636300	TCBB/4-500/H- *230V 50*	£517.78	REB-5	£106.79	REV-5N	£468.42				
5604634700	TCBB/4-560/L- *230V 50*	£634.21	REB-6	£121.06	REV-7N	£489.02				
5604634800	TCBB/4-560/H- *230V 50*	£648.64								
5604638700	TCBB/4-630/L- *230V 50*	£703.30								

THREE PHASE 4 POLE

5705080100	TCBT/4-250/H- *230/400V 50/60*	£262.26					S&P VFD-M10A	£489.25	S&P VFD-T 5A	£565.47
5705080200	TCBT/4-315/H- *230/400V 50/60*	£268.83					S&P VFD-M10A	£489.25	S&P VFD-T 5A	£565.47
5705080300	TCBT/4-355/H- *230/400V 50/60*	£277.57					S&P VFD-M10A	£489.25	S&P VFD-T 5A	£565.47
5740124800	TCBT/4-400/H- *230/400V 50/60*	£325.63					S&P VFD-M10A	£489.25	S&P VFD-T 5A	£565.47
5603003500	TCBT/4-450/H- *230/400V 50*	£410.91					S&P VFD-M10A	£489.25	S&P VFD-T 5A	£565.47
5603999700	TCBT/4-500/H- *230/400V 50*	£478.68					S&P VFD-M10A	£489.25	S&P VFD-T 5A	£565.47
5603205600	TCBT/4-560/L- *230/400V 50*	£492.65					S&P VFD-M10A	£489.25	S&P VFD-T 5A	£565.47
5603994500	TCBT/4-560/H- *230/400V 50*	£509.26					S&P VFD-M10A	£489.25	S&P VFD-T 5A	£565.47
5604309000	TCBT/4-630/L- *230/400V 50*	£779.84					S&P VFD-M10A	£489.25	S&P VFD-T 5A	£565.47
5604308800	TCBT/4-630/H- *230/400V 50*	£802.15					S&P VFD-M10A	£489.25	S&P VFD-T 5A	£565.47
5604597300	TCBT/4-710/L- *230/400V 50*	£1,080.74					S&P VFD-M10A	£489.25	S&P VFD-T 5A	£565.47
5603927300	TCBT/4-710/H- *230/400V 50*	£1,087.08					S&P VFD-M16A	£596.37	S&P VFD-T 9A	£701.43
5604885400	TCBT/4-800/L- (3.0kW) *230/400V 50*	£976.34					S&P VFD-M16A	£596.37	S&P VFD-T 9A	£701.43
5604992600	TCBT/4-800/K- (4.0kW) *400V 50*	£1,006.13							S&P VFD-T 13A	£843.57
5604739300	TCBT/4-800/G- (5.5kW) *400V 50*	£1,051.07							S&P VFD-T 13A	£843.57
5604602100	TCBT/4-800/H- (7.5kW) *400V 50*	£1,099.41							S&P VFD-T 17A	£1,011.46

* REB 6 & 8 are fitted with a manual reset facility as required by BS 7671 for ducted fans to prevent automatic reset after the Thermal Protector has tripped. Use REB 6 instead of REB 1, 3 & 5 if no other method of manual reset is incorporated in the system*





DOL Starter	Trade Price	Wire Protection Guards (inlet)	Trade Price	Ancillary Packs	Trade Price	Mounting Feet (Pair)	Trade Price	Matching Flange	Trade Price	Flexible Connector	Trade Price
		DEF-250 T	£11.78	SPANC-250	£120.79	PIE-250	£12.97	BRIDA-250	£22.27	ACOPEL F400-250 N	£20.07
		DEF-315 T	£12.10	SPANC-315	£132.87	PIE-315	£14.31	BRIDA-315	£25.82	ACOPEL F400-315 N	£22.79
		DEF-355 T	£14.15	SPANC-355	£144.94	PIE-355	£15.81	BRIDA-355	£27.62	ACOPEL F400-355 N	£23.26
		DEF-400 T	£15.57	SPANC-400	£157.02	PIE-400	£17.55	BRIDA-400	£29.43	ACOPEL F400-400 N	£33.74
		DEF-450 T	£17.66	SPANC-450	£169.10	PIE-450	£21.59	BRIDA-450	£34.61	ACOPEL F400-450 N	£36.15
		DEF-500 T	£19.72	SPANC-500	£181.18	PIE-500	£22.68	BRIDA-500	£36.78	ACOPEL F400-500 N	£38.60
		DEF-560 T	£32.68	SPANC-560	£193.25	PIE-560	£28.70	BRIDA-560	£43.26	ACOPEL F400-560 N	£40.68
		DEF-560 T	£32.68	SPANC-560	£193.25	PIE-560	£28.70	BRIDA-560	£43.26	ACOPEL F400-560 N	£44.87
		DEF-630 T	£36.88	SPANC-630	£205.34	PIE-630	£34.71	BRIDA-630	£49.04	ACOPEL F400-630 N	£56.10
MSD 0-25A	£227.62	DEF-250 T	£11.78	SPANC-250	£120.79	PIE-250	£12.97	BRIDA-250	£22.27	ACOPEL F400-250 N	£20.07
MSD 0-25A	£227.62	DEF-315 T	£12.10	SPANC-315	£132.87	PIE-315	£14.31	BRIDA-315	£25.82	ACOPEL F400-315 N	£22.79
MSD 0-25A	£227.62	DEF-355 T	£14.15	SPANC-355	£144.94	PIE-355	£15.81	BRIDA-355	£27.62	ACOPEL F400-355 N	£23.26
MSD 0-25A	£227.62	DEF-400 T	£15.57	SPANC-400	£157.02	PIE-400	£17.55	BRIDA-400	£29.43	ACOPEL F400-400 N	£33.74
MSD 0-25A	£227.62	DEF-450 T	£17.66	SPANC-450	£169.10	PIE-450	£21.59	BRIDA-450	£34.61	ACOPEL F400-450 N	£36.15
MSD 0-25A	£227.62	DEF-500 T	£19.72	SPANC-500	£181.18	PIE-500	£22.68	BRIDA-500	£36.78	ACOPEL F400-500 N	£38.60
MSD 0-25A	£227.62	DEF-560 T	£32.68	SPANC-560	£193.25	PIE-560	£28.70	BRIDA-560	£43.26	ACOPEL F400-560 N	£40.68
MSD 0-25A	£227.62	DEF-560 T	£32.68	SPANC-560	£193.25	PIE-560	£28.70	BRIDA-560	£43.26	ACOPEL F400-560 N	£40.68
MSD 0-25A	£227.62	DEF-630 T	£36.88	SPANC-630	£205.34	PIE-630	£34.71	BRIDA-630	£49.04	ACOPEL F400-630 N	£44.87
MSD 0-25A	£227.62	DEF-630 T	£36.88	SPANC-630	£205.34	PIE-630	£34.71	BRIDA-630	£49.04	ACOPEL F400-630 N	£44.87
MSD 0-25A	£227.62	DEF-710 T	£76.25	SPANC-710	£362.35	PIE-710	£141.32	BRIDA-710	£58.43	ACOPEL F400-710 N	£56.10
MSD 0-25A	£227.62	DEF-710 T	£76.25	SPANC-710	£362.35	PIE-710	£141.32	BRIDA-710	£58.43	ACOPEL F400-710 N	£56.10
MSD 0-25A	£227.62	DEF-800 T	£58.14	SPANC-800	£434.82	PIE-800	£144.17	BRIDA-800	£113.29	ACOPEL F400-800 N	£60.40
MSD 0-25A	£227.62	DEF-800 T	£58.14	SPANC-800	£434.82	PIE-800	£144.17	BRIDA-800	£113.29	ACOPEL F400-800 N	£60.40
MSD 0-25A	£227.62	DEF-800 T	£58.14	SPANC-800	£434.82	PIE-800	£144.17	BRIDA-800	£113.29	ACOPEL F400-800 N	£60.40
MSD 0-25A	£227.62	DEF-800 T	£58.14	SPANC-800	£434.82	PIE-800	£144.17	BRIDA-800	£113.29	ACOPEL F400-800 N	£60.40

ALL THREE-PHASE MODELS
WHERE CONTROLLED BY A VFD



Speed Controller	Trade Price
REB-CVF 0-10V	£121.96



ALL MODELS

AV mounts (set of 4)	Trade Price
KSE-45	£35.49

CONTRAFOIL™ CONTRA-ROTATING AXIAL FLOW FANS

TCBBx2 / TCBTx2

Range of cylindrical cased axial fans fitted with aluminium impellers and manufactured from high grade rolled galvanised steel and protected against corrosion by cataforesis primer and black polyester paint finish. Fitted with two contra-rotating complementary impellers manufactured from die-cast aluminium. All models are supplied with pre-wired wiring junction box located on the outside of the fan casing for easy wiring access. Available with single or three phase 4 pole motors.

Motors

All the motors are IP65, Class F insulation (1), equipped with thermal protection.

Single phase motors, except 630mm, are speed controllable but must be wired in three wire control.

Three phase motors suitable for inverter control.

Electrical supplies:

Single phase 230V-50Hz

Three phase 230/400V-50Hz.

(1) Working temperatures from -40°C up to 70°C.



PART L2: 2013 COMPLIANT



Contra-rotating: High pressure

Contra-rotating system with two complementary impellers allowing the duplication of the pressure with the same air volume.

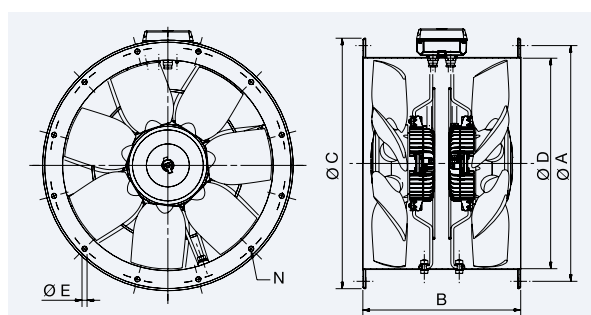


Terminal box

Wiring terminal box with cable gland PG-11.



DIMENSIONS (mm)



Model: TCBBx2 (single phase)	Ø A	B	Ø C	Ø D	Ø E	Number of holes N
450	500	375	537	450	12	8
500L	560	375	595	500	12	12
500	560	520	595	500	12	12
560	620	520	655	560	12	12
630	690	520	725	630	12	12

Model: TCBTx2 (three phase)	Ø A	B	Ø C	Ø D	Ø E	Number of holes N
450	500	375	537	450	12	8
500	560	375	595	500	12	12
560	620	520	655	560	12	12
630	690	520	725	630	12	12



TECHNICAL DATA Before installation check that the product electrical characteristics listed on the data plate label (voltage, power, frequency, etc.) match those of the intended electrical supply.

Model	Speed (r.p.m.)	Maximum absorbed power (W)	Maximum absorbed current (A)		Sound pressure level* (dB(A))	Maximum air volume (m³/s)	Weight (Kg)	Speed controller REB/RMT	Frequency inverter S&P VFD	
			230 V	400 V					1/230V**	3/400V
SINGLE PHASE										
TCBBx2/4-450	1420	1316	5.7	-	67	2.070	42	REB-6	-	-
TCBBx2/4-500L	1294	1255	6.5	-	68	2.360	50	REB-8	-	-
TCBBx2/4-500	1425	1957	9.0	-	70.5	2.763	50	REB-10	-	-
TCBBx2/4-560	1425	3185	14.2	-	73	3.859	66	REB-16	-	-
TCBBx2/4-630	1400	3671	16.3	-	75	4.527	80	-	-	-
THREE PHASE										
TCBTx2/4-450	1430	1309	5.2	3	67	2.013	42	RMT-5	S&P VFD-M10A	S&P VFD-T 5A
TCBTx2/4-500	1390	1700	5.8	3.3	70.5	2.722	50	RMT-5	S&P VFD-M10A	S&P VFD-T 5A
TCBTx2/4-560	1420	3173	10.0	5.6	73	4.215	66	-	S&P VFD-M16A	S&P VFD-T 6.8A
TCBTx2/4-630	1445	4014	12.8	7.4	75	4.991	80	-	S&P VFD-M16A	S&P VFD-T 9A

* Sound pressure level. measured in free field condition at a distance of 3m ** Only for fans fitted with three phase motors 230/400V.

PERFORMANCE DATA

Airflow m³/s @ Static Pressure Pa

Model	0	50	100	150	200	250	300	350	400	450	500	550	600
SINGLE PHASE 4 POLE													
TCBBx2/4-450	2.070	2.005	1.938	1.868	1.790	1.701	1.601	1.497	1.379				
TCBBx2/4-500L	2.360	2.270	2.176	2.074	1.957	1.820	1.661	1.405					
TCBBx2/4-500	2.763	2.688	2.612	2.533	2.448	2.354	2.249	2.138	2.027	1.915	1.766		
TCBBx2/4-560	3.859	3.757	3.643	3.526	3.402	3.267	3.122	2.973	2.826	2.675	2.491		
TCBBx2/4-630	4.527	4.396	4.263	4.129	3.991	3.849	3.700	3.545	3.379	3.194	2.959	2.951	2.138
THREE PHASE 4 POLE													
TCBTx2/4-450	2.013	1.955	1.897	1.835	1.766	1.686	1.593	1.494	1.390				
TCBTx2/4-500	2.722	2.632	2.542	2.447	2.348	2.243	2.133	2.020	1.900	1.747			
TCBTx2/4-560	4.215	4.111	4.006	3.896	3.781	3.655	3.517	3.368	3.220	3.078	2.938	2.784	2.550
TCBTx2/4-630	4.991	4.893	4.792	4.683	4.561	4.427	4.290	4.150	4.006	3.856	3.699	3.527	3.324

TCBB/TX2 CONTRAFOIL CONTRA ROTATING CASED AXIAL FAN TRADE PRICES



Code	Model	Trade Price	Electronic Speed Controller	Trade Price	Transformer Speed Controller	Trade Price	S&P VFD 1/230V*	Trade Price	S&P VFD 3/400V	Trade Price	DOL Starter	Trade Price
------	-------	-------------	-----------------------------	-------------	------------------------------	-------------	-----------------	-------------	----------------	-------------	-------------	-------------

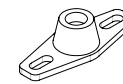
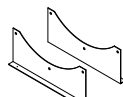
SINGLE PHASE 4 POLE

5605764700	TCBBx2/4-450	£792.80	REB-6	£121.06	REV-7N	£489.02						
5605385300	TCBBx2/4-500L	£842.76	REB-8	£211.08	REV-7N	£489.02						
5605766800	TCBBx2/4-500	£936.58	REB-10	£214.56	REV-10N	£643.18						
5605767200	TCBBx2/4-560	£1,050.73	REB-16	£336.66								
5605765200	TCBBx2/4-630	£1,342.47										

THREE PHASE 4 POLE

5605765000	TCBTx2/4-450	£836.26					VFD-M 10A	£489.25	VFD-T 5A	£565.47	MSD 0-25A	£227.62
5605766600	TCBTx2/4-500	£906.12					VFD-M 10A	£489.25	VFD-T 5A	£565.47	MSD 0-25A	£227.62
5605766700	TCBTx2/4-560	£1,085.49					VFD-M 16A	£596.37	VFD-T 6.8A	£613.88	MSD 0-25A	£227.62
5605772900	TCBTx2/4-630	£1,234.78					VFD-M 16A	£596.37	VFD-T 9A	£701.43	MSD 0-25A	£227.62

* Inverter VFD option for 230V-50Hz Single Phase Input & 230V-50Hz Three Phase Output



Model	Ancillary Packs	Trade Price	Mounting Feet (Pair)	Trade Price	Matching Flange	Trade Price	Flexible Connector	Trade Price	AV Mounts (Set of 4)	Trade Price
TCBB / T x2/4-450	SPANC-450	£169.10	PIE-450	£21.59	BRIDA-450 Flange	£34.61	ACOPEL F400 450 N	£36.15	KSE-45	£35.49
TCBBx2/4-500L	SPANC-500	£181.18	PIE-500	£22.68	BRIDA-500 Flange	£36.78	ACOPEL F400 500 N	£38.60	KSE-45	£35.49
TCBB / T x2/4-500	SPANC-500	£181.18	PIE-500	£22.68	BRIDA-500 Flange	£36.78	ACOPEL F400 500 N	£38.60	KSE-45	£35.49
TCBB / T x2/4-560	SPANC-560	£193.25	PIE-560	£28.70	BRIDA-560 Flange	£43.26	ACOPEL F400 560 N	£40.68	KSE-45	£35.49
TCBB / T x2/4-630	SPANC-630	£205.34	PIE-630	£34.71	BRIDA-630 Flange	£49.04	ACOPEL F400 630 N	£44.87	KSE-45	£35.49

ALL THREE-PHASE MODELS
WHERE CONTROLLED BY A VFD



Speed Controller	Trade Price
REB-CVF 0-10V	£121.96

IN-LINE MIXED FLOW DUCT FANS

TD-MIXVENT series

Range of low profile in-line mixed flow duct fans manufactured in tough reinforced plastic (from 160 to 800 models) or with metal casing steel finished in a tough epoxy-polyester paint coating (from 1000 to 6000 models). The unique design of the support bracket allows the motor and impeller assembly to be fitted or removed without dismantling the adjacent ducting.

Motors

Models 160-2000: Class B, with ball bearings and safety thermal overload protection. IP44.

Direct 2-speed (100 & 125 models) or 3-speed (150, 160, 200, 250 and 315 models) motors suitable for voltage speed control.

Electrical supply:

Single phase 230V-50Hz.

Models 4000 and 6000: Class F, with ball bearings and safety thermal overload protection. IP54.

Single speed motor suitable for voltage speed control.



Additional information

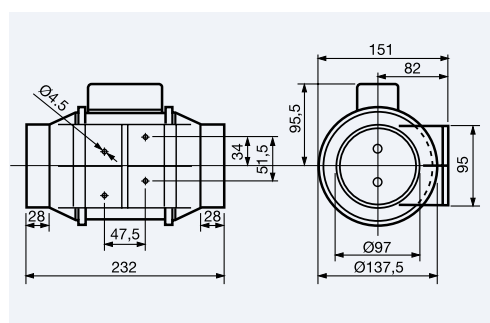
Three phase models adjustable by inverter control or auto-transformer.

TD-MIXVENT-T models

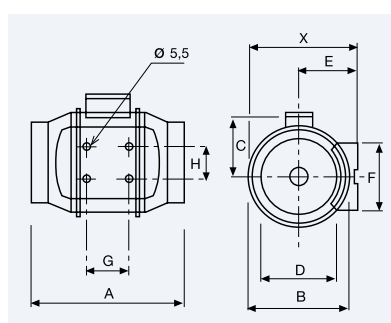
TD-MIXVENT versions fitted with a run-on-timer adjustable between 1 and 30 minutes and single speed motor not suitable for speed control.

DIMENSIONS (mm)

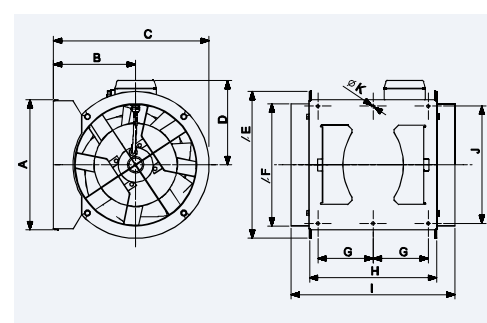
TD-160/100 N SILENT



TD-250 to TD-2000



TD-4000 / TD-6000



Model	X	A	Ø B	C	Ø D	E	F	G	H
TD-250/100	188	303	176	115	97	100	90	80	60
TD-350/125	188	258	176	115	123	100	90	80	60
TD-500/150	212	295	200	127	147	112	130	80	60
TD-500/160	212	295	200	127	157	112	130	80	60
TD-800/200N	232,5	302	217	141	198	124	140	100	94
TD-800/200	232,5	302	217	141	198	124	140	100	94
TD-1000/250	291	386	272	192	248	155	168	145	140
TD-1300/250	291	386	272	192	248	155	168	145	140
TD-2000/315	356	450	336	224	312	188	210	182	178

Model	A	B	C	D	Ø E	Ø F	G	H	I	J	Ø K
TD-4000/355	377	238	451	224	426	354	150	368	474	340	8.5
TD-6000/400	407	249	249	267	487	399	160	425	547	370	8.5

MODELS TD-MIXVENT-T



Models TD-MIXVENT (from 160 to 800 models) are fitted with an adjustable timer between 1 and 30 minutes and are supplied with a one-speed motor not suitable for speed control.

MODEL 160



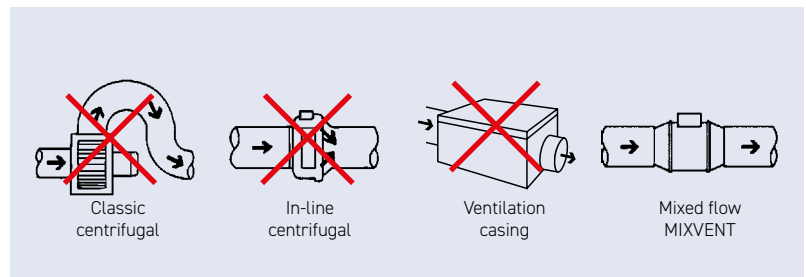
Model TD-160/100N SILENT offer very low noise level, with a motor mounted on silent-elastic-blocks which absorb the vibrations.

EASY MAINTENANCE



The unique design of the support bracket allows the motor and impeller assembly to be fitted or removed **without dismantling the adjacent ducting**

LOW PROFILE



The low profile of the TD-MIXVENT fans makes them the most effective solution for installations where the space of installation is limited such as false ceilings.

TECHNICAL DATA

TD-MIXVENT	Maximum Speed (r.p.m.)	Maximum absorbed power (W)	Maximum absorbed current (A)	Airflow at free discharge (m ³ /s)	Maximum operating temperature (°C)	Sound pressure level* (dB(A))	Ø Duct (mm)	Weight (Kg)	Optional speed controller
TD-160/100 N SILENT	2400	29	0,17	0.050	-20/+40	24	100	1,4	RRB-100 / REB-1
TD-250/100	2140	28	0,12	0.069	-20/+40	34	100	2,0	RRB-100 / REB-1
TD-350/125	2050	25	0,11	0.091	-20/+40	33	125	2,0	RRB-100 / REB-1
TD-500/150 3V	2590	53	0,21	0.156	-20/+60	35	150	2,7	RRB-100 / REB-1
TD-500/160 3V	2590	53	0,21	0.156	-20/+60	35	160	2,7	RRB-100 / REB-1
TD-800/200N 3V	2190	103	0,5	0.246	-20/+60	38	200	4,9	RMB-1.5 / REB-1
TD-800/200 3V	2480	132	0,55	0.289	-20/+60	40	200	4,9	RMB-1.5 / REB-1
TD-1000/250 3V	2790	130	0,46	0.267	-40/+60	38	250	9,4	RMB-1.5 / REB-1
TD-1300/250 3V	2510	196	0,79	0.375	-40/+60	43	250	9,4	RMB-1.5 / REB-1
TD-2000/315 3V	2710	287	0,97	0.507	-40/+60	49	315	14,0	RMB-1.5 / REB-1
TD-4000/355	1360	407	1,69	1.041	-40/+40	41	355	19,0	RMB-3.5 / REB-3
TD-6000/400	1400	680	2,92	1.474	-40/+40	44	400	26,0	REV-5N / REB-6
THREE PHASE									
TD-4000/355 TRIF	1150	309	0,66	0.879	-40/+70	41	355	19,0	RMT-3,5 / S&P VFD
TD-6000/400 TRIF	1400	691	1,49	1.479	-40/+60	44	400	26,0	RMT-2,5 / S&P VFD

* Sound pressure level radiated at 3m at free air conditions with rigid ducts at the inlet and at the outlet.

PERFORMANCE DATA

Airflow m³/s @ Static Pressure Pa

Model	0	25	50	75	100	125	150	175	200	250	300	350	400	450	500	550	600
SINGLE PHASE																	
TD-160/100 - High speed	0.050	0.042	0.034	0.009													
TD-160/100 - Low speed	0.042	0.034	0.012	0.005													
TD-250/100 - High speed	0.069	0.062	0.053	0.036	0.018												
TD-250/100 - Low speed	0.056	0.047	0.033	0.017													
TD-350/125 - High speed	0.091	0.080	0.069	0.049	0.022												
TD-350/125 - Low speed	0.070	0.058	0.040	0.015													
TD-500/150-160 - High speed	0.156	0.150	0.143	0.136	0.127	0.116	0.104	0.062	0.035	0.017							
TD-500/150-160 - Mid speed	0.130	0.120	0.109	0.098	0.088	0.073	0.043	0.027	0.014								
TD-500/150-160 - Low speed	0.107	0.094	0.081	0.069	0.055	0.034	0.017										
TD-800/200N - High speed	0.246	0.237	0.227	0.218	0.207	0.196	0.183	0.167	0.150	0.062	0.019						
TD-800/200N - Mid speed	0.208	0.198	0.187	0.176	0.164	0.150	0.134	0.109	0.077	0.037							
TD-800/200N - Low speed	0.184	0.174	0.162	0.150	0.136	0.121	0.100	0.077	0.058	0.015							
TD-800/200 - High speed	0.289	0.281	0.273	0.265	0.256	0.246	0.235	0.223	0.209	0.175	0.058	0.019					
TD-800/200 - Mid speed	0.262	0.253	0.244	0.234	0.224	0.212	0.200	0.186	0.169	0.070	0.035						
TD-800/200 - Low speed	0.235	0.226	0.216	0.205	0.194	0.182	0.170	0.153	0.121	0.054	0.014						
TD-1000/250 - High speed	0.267	0.258	0.248	0.239	0.229	0.218	0.208	0.196	0.183	0.150	0.111	0.087	0.069	0.049	0.029	0.013	
TD-1000/250 - Mid speed	0.252	0.239	0.225	0.212	0.198	0.184	0.168	0.146	0.122	0.089	0.072	0.056	0.033	0.017			
TD-1000/250 - Low speed	0.237	0.221	0.204	0.188	0.170	0.148	0.117	0.094	0.082	0.065	0.049	0.027	0.011				
TD-1300/250 - High speed	0.375	0.362	0.348	0.334	0.318	0.302	0.285	0.269	0.251	0.195	0.128	0.098	0.073	0.048	0.021		
TD-1300/250 - Mid speed	0.322	0.304	0.285	0.263	0.241	0.219	0.196	0.165	0.138	0.107	0.084	0.060	0.034	0.012			
TD-1300/250 - Low speed	0.291	0.268	0.242	0.218	0.193	0.165	0.134	0.117	0.103	0.084	0.064	0.037	0.016				
TD-2000/315 - High speed	0.507	0.493	0.479	0.464	0.448	0.432	0.416	0.400	0.383	0.350	0.307	0.250	0.209	0.180	0.153	0.124	0.092
TD-2000/315 - Mid speed	0.452	0.428	0.406	0.384	0.362	0.339	0.312	0.282	0.243	0.181	0.151	0.125	0.099	0.069	0.043	0.023	0.004
TD-2000/315 - Low speed	0.396	0.370	0.338	0.302	0.269	0.228	0.175	0.146	0.129	0.104	0.076	0.045	0.023				
TD-4000/355	1.041	1.008	0.974	0.938	0.900	0.858	0.807	0.744									
TD-6000/400	1.474	1.434	1.392	1.347	1.297	1.241	1.181	1.119	1.052								
THREE PHASE																	
TD-4000/355-TRIF	0.879	0.840	0.798	0.753	0.701	0.642	0.578	0.225									
TD-6000/400-TRIF	1.479	1.440	1.400	1.358	1.313	1.263	1.206	1.143	1.073								
TIMER MODELS - SINGLE PHASE																	
TD-250/100-T	0.067	0.060	0.052	0.040	0.017	0.009											
TD-350/125-T	0.091	0.080	0.069	0.049	0.022	0.010											
TD-500/150-T	0.161	0.156	0.150	0.144	0.137	0.130	0.120	0.105	0.040	0.022							
TD-500/160-T	0.161	0.156	0.150	0.144	0.137	0.130	0.120	0.105	0.040	0.022							
TD-800/200-T	0.287	0.278	0.269	0.261	0.251	0.240	0.229	0.216	0.201	0.099	0.056						

TD-MIXVENT In Line Mixed Flow Duct Fan Prices



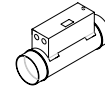
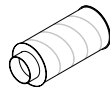
Code	Model	Trade Price	2 Speed Controller	Trade Price	Electronic Speed Controller	Trade Price	Transformer Speed Controller	Trade Price	B/D Shutter	Trade Price
SINGLE PHASE										
5211318000	TD-160/100N SILENT	£85.38	REGUL 2	£32.05	REB-1	£64.08	RRB-100	£69.78	MCA-250/100mm	£38.79
5211320600	TD-250/100	£115.95	REGUL 2	£32.05	REB-1	£64.08	RRB-100	£69.78	MCA-250/100mm	£38.79
5211306500	TD-350/125	£125.06	REGUL 2	£32.05	REB-1	£64.08	RRB-100	£69.78	MCA-350/125mm	£41.35
5211301100	TD-500/150 3V	£166.27	REGUL 2	£32.05	REB-1	£64.08	RRB-100	£69.78	MCA-500/150mm	£48.94
5211301300	TD-500/160 3V	£166.27	REGUL 2	£32.05	REB-1	£64.08	RRB-100	£69.78	MCA-500/160mm	£48.94
5211304900	TD-800/200 3V	£227.27	REGUL 2	£32.05	REB-1	£64.08	RMB-1.5	£114.74	MCA-800/200mm	£58.38
5211304500	TD-800/200 N 3V	£227.27	REGUL 2	£32.05	REB-1	£64.08	RMB-1.5	£114.74	MCA-800/200mm	£58.38
5211308000	TD-1000/250 3V	£364.53	REGUL 2	£32.05	REB-1	£64.08	RMB-1.5	£114.74	MCA-1000/250mm	£86.53
5212316900	TD-1300/250 3V	£373.63	REGUL 2	£32.05	REB-3	£78.64	RMB-1.5	£114.74	MCA-1000/250mm	£86.53
5211309700	TD-2000/315 3V	£385.84	REGUL 2	£32.05	REB-3	£78.64	RMB-1.5	£114.74	MCA-2000/315mm	£121.43
5211015200	TD-4000/355	£739.87	REGUL 2	£32.05	REB-3	£78.64	RMB-3.5	£132.87	MCA-4000/355mm	£175.50
5211016000	TD-6000/400	£961.07	REGUL 2	£32.05	REB-6	£121.06	REV-5N	£468.42	MCA-6000/400mm	£195.08

THREE PHASE

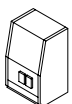
5211999900	TD-4000/355 TRIF	£739.87							MCA-4000/355mm	£175.50
5211935000	TD-6000/400 TRIF	£961.07							MCA-6000/400mm	£195.08

TIMER MODELS SINGLE PHASE WITH OVERRUN TIMER

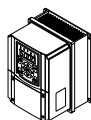
5211322200	TD-160/100N T SILENT	£93.92							MCA-250/100mm	£38.79
5211325500	TD-250/100 T	£141.87							MCA-250/100mm	£38.79
5211324800	TD-350/125 T	£152.53							MCA-350/125mm	£41.35
5211329700	TD-500/150 T	£196.69							MCA-500/150mm	£48.94
5211326300	TD-500/160 T	£196.69							MCA-500/160mm	£48.94
5211327100	TD-800/200 T	£272.97							MCA-800/200mm	£58.38



Code	Model	Fast Clamp ACOP-VENT	Trade Price	Silencer	Trade Price	Filter Box G4	Trade Price	Heater Battery and associated controls	
SINGLE PHASE									
5211318000	TD-160/100N SILENT	100	£16.92	SIL-100	£77.68	MFL-100	£75.54	Please Contact S&P Technical Office for Correct Heater Battery with Integrated Controls and Associated Accessories	
5211320600	TD-250/100	100	£16.92	SIL-100	£77.68	MFL-100	£75.54		
5211306500	TD-350/125	125	£18.23	SIL-125	£112.72	MFL-125	£77.78		
5211301100	TD-500/150 3V	150	£18.23	SIL-150	£142.23	MFL-150	£95.01		
5211301300	TD-500/160 3V	160	£18.23	SIL-160	£142.23	MFL-160	£95.01		
5211304900	TD-800/200 3V	200	£19.65	SIL-200	£176.67	MFL-200	£101.54		
5211304500	TD-800/200 N 3V	200	£19.65	SIL-200	£176.67	MFL-200	£101.54		
5211308000	TD-1000/250 3V	250	£21.30	SIL-250	£210.03	MFL-250	£142.60		
5212316900	TD-1300/250 3V	250	£21.30	SIL-250	£210.03	MFL-250	£142.60		
5211309700	TD-2000/315 3V	315	£22.05	SIL-315	£288.98	MFL-315	£166.33		
5211015200	TD-4000/355	355	£48.10	SIL-355	£349.88	MFL-355	£168.53		
5211016000	TD-6000/400	400	£49.92	SIL-400	£369.35	MFL-400	£171.86		
THREE PHASE									
5211999900	TD-4000/355 TRIF	355	£48.10	SIL-355	£349.88	MFL-355	£168.53		
5211935000	TD-6000/400 TRIF	400	£49.92	SIL-400	£369.35	MFL-400	£171.86		
SINGLE PHASE WITH OVERRUN TIMER									
5211322200	TD-160/100NTSILENT	100	£16.92	SIL 100	£77.68	MFL-100	£75.54		
5211325500	TD-250/100 T	100	£16.92	SIL 100	£77.68	MFL-100	£75.54		
5211324800	TD-350/125 T	125	£18.23	SIL-125	£112.72	MFL-125	£77.78		
5211329700	TD-500/150 T	150	£18.23	SIL-150	£142.23	MFL-150	£95.01		
5211326300	TD-500/160 T	160	£18.23	SIL-160	£142.23	MFL-160	£95.01		
5211327100	TD-800/200 T	200	£19.65	SIL-200	£176.67	MFL-200	£101.54		



ALL THREE PHASE MODELS
DOL Starter Trade Price
MSD 0-25A £227.62



ALL THREE PHASE MODELS*
Frequency Inverter
1/230V Trade Price
S&P VFD-M10A £489.25
3/400V Trade Price
S&P VFD-T5A £565.47



ALL THREE-PHASE MODELS WHERE CONTROLLED BY A VFD
Speed Controller Trade Price
REB-CVF 0-10V £121.96

ULTRA-QUIET IN-LINE MIXED FLOW DUCT FANS

TD-SILENT series



TD-SILENT - MODELS 250 TO 1000



TD-SILENT - MODELS 1300 AND 2000



Low profile "Mixed-flow" fans with sound-absorbent insulation. Extremely quiet. Certified of Approval Noise Abatement Society (TD-350, TD-500, TD-800 and TD-1000 models).

Manufactured in plastic material, with a specifically designed internal skin to direct the sound waves at the right angle for them to be captured by the sound-absorbent material (1). Fitted with rubber gaskets on the inlet and outlet to absorb vibrations, a body that can be dismantled. Connection box can be rotated 360°, to facilitate easy connection of the power cable.

Motors

Speed controllable 230V-50Hz motor, of two or three speeds depending on model. IP44.

Motors are class B, with ball bearings and safety thermal overload protection.

(1) Except the TD-160 SILENT, that is fitted with the special floating motor system patented by S&P.

TD-SILENT-T models

TD-SILENT-T versions fitted with a run-on-timer adjustable between 1 and 30 minutes and single speed motor not suitable for speed control.

TD-SILENT models 1300 - 2000

Low profile "Mixed-flow" fans with sound absorbent insulation. Extremely quiet. Constructed from sheet steel with epoxy polyester paint, acoustic insulation (MO) glass fibre, within outer shell.

Aerodynamic inlet to improve airflow and reduce sound. Detachable fan unit without disconnecting duct connections. IP44. External terminal box IP55.

Removable fan body with 3 speed motor, single phase 230V-50/60Hz speed controllable, Class F, external rotor aluminium motor with capacitor and thermal protection.

Additional information

The models offer solutions to ventilation problems, especially in places where people work and low sound level is required.

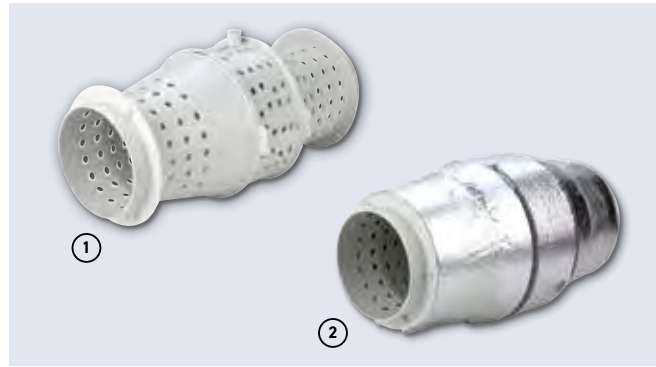


MODELS 250 TO 1000



Low profile

The low profile of the TD-SILENT fans makes them the most effective solution for installations where space is very limited, especially in ceiling voids.



Low noise level

Sound waves produced inside the TD, are directed through the perforated inner skin ① and absorbed by the layer of sound absorbent material ②



Easy maintenance

Bi-material support brackets, which in addition to simplifying installation, serve as joint seals.



Connection box rotated 360°

Connection box can be rotated 360°, to facilitate easy connection of the power cable.



Rubber seals

Bi-material inlet and outlet incorporating a rubber seal to facilitate installation and absorb vibrations.



Support bracket

Support bracket for installing on a wall or ceiling, incorporating twin-material support brackets for the motor section that absorbs vibration.

Easy to mount



Loosen and open clamps on both sides.



Remove the fan body.



Remove the terminal box lid.



Connect electrical supply.



Remount the fan body by tightening the clamps.



MODELS WITH RUN-ON-TIMER

Models TD-SILENT-T (from models 250 to 1000) are fitted with an adjustable timer between 1 and 30 minutes and are supplied with a one-speed motor not suitable for speed control.

MODEL 160



SILENT-ELASTIC-BLOCKS

Model TD-160/100N SILENT offer very low noise level, with a motor mounted on silentelastic- blocks which absorb the vibrations.



TECHNICAL DATA

TD-SILENT	Maximum Speed (r.p.m.)	Maximum absorbed power (W)	Maximum absorbed current (A)	Duty at free discharge (m³/s)	Maximum operating temp. (°C)	Sound pressure level* (dB(A))	Ø Duct (mm)	Weight (Kg)
TD-160/100 N SILENT	2400	29	0,17	0.050	-20/+40	24	100	1,4
	2200	18	0,11	0.042		22		
TD-250/100 SILENT	2210	27	0,12	0.069	-20/+40	25	100	5,4
	1680	21	0,1	0.056		20		
TD-350/125 SILENT	2100	27	0,12	0.092	-20/+40	23	125	5
	1650	21	0,1	0.071		18		
TD-500/150-160 SILENT 3V	2480	59	0,26	0.153	-20/+60	27	150 / 160	6
	2060	50	0,22	0.126		22		
	1610	45	0,2	0.097		17		
TD-800/200 SILENT 3V	2170	102	0,5	0.254	-20/+60	28	200	8,7
	1870	92	0,47	0.217		24		
	1660	90	0,46	0.192		22		
TD-1000/200 SILENT 3V	2450	130	0,55	0.289	-20/+60	29	200	8,7
	2210	127	0,55	0.252		27		
	1920	122	0,53	0.221		24		
TD-1300/250 SILENT 3V	2530	204	0,85	0.366	-20/+60	36	250	20
	2230	163	0,68	0.322		33		
	2030	144	0,6	0.288		31		
TD-2000/315 SILENT 3V	2670	293	1,25	0.491	-20/+60	39	315	25
	2490	232	0,97	0.447		38		
	2240	190	0,78	0.412		36		

TIMER MODELS

TD-160/100 NT SILENT	2400	29	0,17	0.050	-20/+40	24	100	1,4
TD-250/100 SILENT T	2140	28	0,12	0.067	-20/+40	25	100	5,4
TD-350/125 SILENT T	2050	26	0,11	0.106	-20/+60	23	125	5
TD-500/150-160 SILENT T 3V	2590	53	0,21	0.161	-20/+60	27	150 / 160	6
	2150	44	0,19	0.13-0		22		
	1820	41	0,18	0.108		17		
TD-800/200 SILENT T 3V	2170	102	0,5	0.250	-20/+60	28	200	8,7
	1870	92	0,47	0.216		24		
	1660	90	0,46	0.191		22		
TD-1000/200 SILENT T 3V	2450	130	0,55	0.287	-20/+60	29	200	8,7
	2210	127	0,55	0.252		27		
	1920	122	0,53	0.219		24		

PERFORMANCE DATA

Airflow m³/s @ Static Pressure Pa

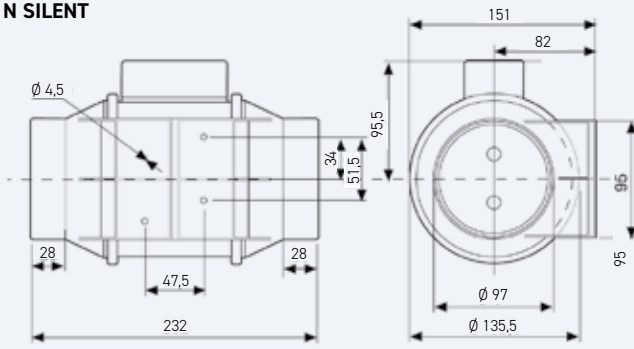
Model	0	25	50	75	100	125	150	175	200	250	300	400	500	600
TD-160/100NT SILENT	0.050	0.042	0.034	0.009										
TD-160/100-SILENT - High speed	0.050	0.042	0.034	0.009										
TD-160/100-SILENT - Low speed	0.042	0.034	0.012	0.005										
TD-250/100-SILENT - High speed	0.069	0.061	0.049	0.033	0.018									
TD-250/100-SILENT - Low speed	0.056	0.044	0.031	0.013										
TD-350/125-SILENT - High speed	0.092	0.081	0.069	0.051	0.022									
TD-350/125-SILENT - Low speed	0.071	0.060	0.042	0.017										
TD-500/150-160-SILENT- High speed	0.153	0.146	0.140	0.133	0.124	0.115	0.104	0.088	0.028					
TD-500/150-160-SILENT - Mid speed	0.126	0.117	0.107	0.096	0.086	0.071	0.041	0.019	0.007					
TD-500/150-160-SILENT- Low speed	0.097	0.083	0.070	0.059	0.047	0.029	0.011							
TD-800/200-SILENT- High speed	0.254	0.245	0.236	0.226	0.216	0.204	0.193	0.180	0.167	0.061				
TD-800/200-SILENT - Mid speed	0.217	0.204	0.193	0.181	0.170	0.157	0.143	0.125	0.089	0.013				
TD-800/200-SILENT- Low speed	0.192	0.180	0.168	0.155	0.142	0.128	0.110	0.082	0.056					
TD-1000/200-SILENT- High speed	0.289	0.280	0.272	0.263	0.254	0.245	0.235	0.224	0.212	0.198				
TD-1000/200-SILENT - Mid speed	0.252	0.244	0.236	0.227	0.217	0.205	0.193	0.182	0.170	0.072				
TD-1000/200-SILENT- Low speed	0.221	0.209	0.198	0.189	0.179	0.169	0.157	0.142	0.118	0.046				
TD-1300/250-SILENT- High speed	0.366	0.355	0.343	0.331	0.317	0.302	0.287	0.272	0.257	0.216	0.164	0.081	0.028	
TD-1300/250-SILENT - Mid speed	0.322	0.306	0.291	0.274	0.257	0.240	0.220	0.200	0.179	0.141	0.107	0.052		
TD-1300/250-SILENT- Low speed	0.288	0.269	0.249	0.230	0.211	0.190	0.168	0.150	0.133	0.103	0.077	0.026		
TD-2000/315-SILENT- High speed	0.491	0.479	0.466	0.454	0.441	0.428	0.414	0.400	0.387	0.359	0.326	0.230	0.158	0.106
TD-2000/315-SILENT - Mid speed	0.447	0.432	0.416	0.399	0.378	0.356	0.336	0.317	0.297	0.234	0.177	0.123	0.079	0.033
TD-2000/315-SILENT- Low speed	0.412	0.387	0.363	0.339	0.313	0.285	0.252	0.205	0.160	0.128	0.108	0.063	0.020	

TIMER MODELS

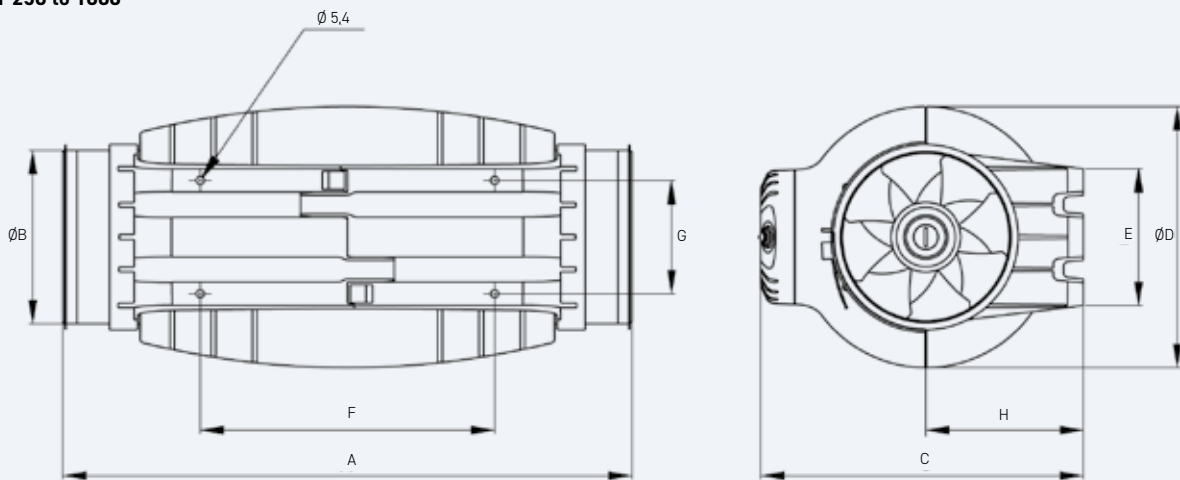
TD-250/100 SILENT-T	0.067	0.060	0.051	0.035	0.020	0.009								
TD-350/125 SILENT-T	0.106	0.090	0.075	0.059	0.030	0.011								
TD-500/150-160 SILENT-T	0.161	0.156	0.150	0.144	0.137	0.130	0.120	0.105	0.040	0.022				
TD-800/200 SILENT-T	0.250	0.241	0.232	0.223	0.214	0.204	0.194	0.183	0.171	0.044				
TD-1000/200 SILENT-T	0.287	0.279	0.270	0.262	0.253	0.244	0.234	0.224	0.214	0.191				

DIMENSIONS (mm)

TD-160/100 N SILENT



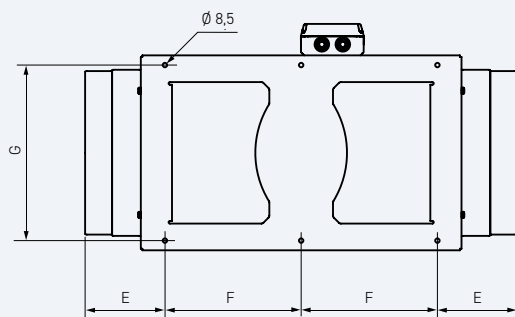
TD-SILENT 250 to 1000



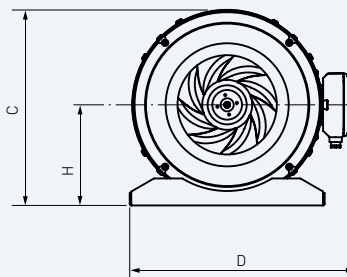
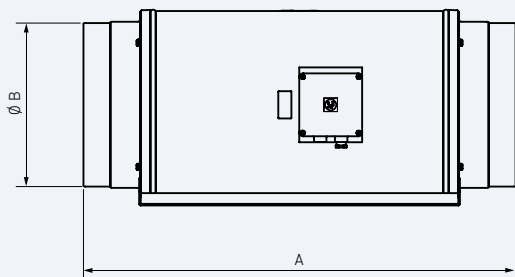
	A	ØB	C	ØD	E	F	G	H
TD-250/100	575	97	252	204	100	250	83	121
TD-350/125	462	123	252	204	100	250	83	121
TD-500/150-160*	484	147	274	221	116	250	96	134
TD-800/200	568	198	327	264	145	340	129	164
TD-1000/200	568	198	327	264	145	340	129	164

* It provides an additional rubber gasket for installation in 160 mm ducts.

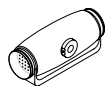
TD-SILENT 1300 and 2000



	A	B	C	D	E	F	G	H
TD-1300/250 SILENT	680	248	331	387	140	200	280	171
TD-2000/315 SILENT	825	312	373	432	152	260	335	192



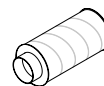
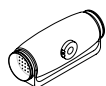
TD SILENT IN-LINE MIXED FLOW FAN PRICES



Code	Model	Trade Price	2 Speed Controller	Trade Price	Electronic Speed Controller	Trade Price	Transformer Speed Controller	Trade Price
5211318000	TD-160/100N SILENT	£85.38	REGUL 2	£32.05	REB-1	£64.08	RRB-100	£69.78
5211360600	TD-250/100 SILENT	£149.29	REGUL 2	£32.05	REB-1	£64.08	RRB-100	£69.78
5211360400	TD-350/125 SILENT	£161.04	REGUL 2	£32.05	REB-1	£64.08	RRB-100	£69.78
5211302100	TD-500/150-160 SILENT 3V	£214.08	REGUL 2	£32.05	REB-1	£64.08	RRB-100	£69.78
5211304400	TD-800/200 SILENT 3V	£292.60	REGUL 2	£32.05	REB-1	£64.08	RMB-1.5	£114.74
5211305300	TD-1000/200 SILENT 3V	£469.32	REGUL 2	£32.05	REB-1	£64.08	RMB-1.5	£114.74
5212316600	TD-1300/250 SILENT 3V	£698.67	REGUL 2	£32.05	REB-1	£64.08	RMB-1.5	£114.74
5212316700	TD-2000/315 SILENT 3V	£819.01	REGUL 2	£32.05	REB-3	£78.64	RMB-1.5	£114.74

TIMER MODELS

5211322200	TD-160/100N T SILENT	£93.92	N/A	N/A	N/A	N/A		
5211364500	TD-250/100 SILENT T	£159.06	N/A	N/A	N/A	N/A		
5211364600	TD-350/125 SILENT T	£172.00	N/A	N/A	N/A	N/A		
5211364700	TD-500/150-160 SILENT T	£228.46	N/A	N/A	N/A	N/A		
5211364800	TD-800/200 SILENT T	£312.49	N/A	N/A	N/A	N/A		
5211364900	TD-1000/200 SILENT T	£485.98	N/A	N/A	N/A	N/A		



Code	Model	B/D Shutter	Trade Price	Fast Clamp	Trade Price	Silencer	Trade Price	Filter Box G4	Trade Price
5211318000	TD-160/100N SILENT	MCA-250/100mm	£38.79	ACOP-VENT 100	£16.92	SIL-100	£77.68	MFL-100	£75.54
5211360600	TD-250/100 SILENT	MCA-250/100mm	£38.79	ACOP-VENT 100	£16.92	SIL-100	£77.68	MFL-100	£75.54
5211360400	TD-350/125 SILENT	MCA-350/125mm	£41.35	ACOP-VENT 125	£18.23	SIL-125	£112.72	MFL-125	£77.78
5211302100	TD-500/150-160 SILENT	MCA-500/150mm	£48.94	ACOP-VENT 160	£18.23	SIL-160	£142.23	MFL-160	£95.01
5211304400	TD-800/200 SILENT	MCA-800/200mm	£58.38	ACOP-VENT 200	£19.65	SIL-200	£176.67	MFL-200	£101.54
5211305300	TD-1000/200 SILENT	MCA-800/200mm	£58.38	ACOP-VENT 200	£19.65	SIL-200	£176.67	MFL-200	£101.54
5212316600	TD-1300/250 SILENT	MCA-1000/250mm	£86.53	ACOP-VENT 250	£21.30	SIL-250	£210.03	MFL-250	£142.60
5212316700	TD-2000/315 SILENT	MCA-2000/315mm	£121.43	ACOP-VENT 315	£22.05	SIL-315	£288.98	MFL-315	£166.33

Timer models

5211322200	TD-160/100N T SILENT	MCA-250/100mm	£38.79	ACOP-VENT 100	£16.92	SIL-100	£77.68	MFL-100	£75.54
5211364500	TD-250/100 SILENT T	MCA-250/100mm	£38.79	ACOP-VENT 100	£16.92	SIL-100	£77.68	MFL-100	£75.54
5211364600	TD-350/125 SILENT T	MCA-350/125mm	£41.35	ACOP-VENT 125	£18.23	SIL-125	£112.72	MFL-125	£77.78
5211364700	TD-500/150-160 SILENT T	MCA-500/150mm	£48.94	ACOP-VENT 160	£18.23	SIL-160	£142.23	MFL-160	£95.01
5211364800	TD-800/200 SILENT T	MCA-800/200mm	£58.38	ACOP-VENT 200	£19.65	SIL-200	£176.67	MFL-200	£101.54
5211364900	TD-1000/200 SILENT T	MCA-800/200mm	£58.38	ACOP-VENT 200	£19.65	SIL-200	£176.67	MFL-200	£101.54



ALL ROUND SERVICE

We'll help you find products built for your specific line of business or help you innovate with custom systems and installations.

Get help with specifying.

Have a question?
Speak to an S&P Product Selector Specialist.

Call us on 0845 4700074



CENTRIFUGAL IN-LINE FANS

JETLINE Series



A range of in-line fans for circular ducts, designed for high aerodynamic performances with very compact profiles and very low sound levels. The range comprises of five diameter sizes and covers a flow range from 0.07 m³/s to 0.30 m³/s. With a low profile compact casing manufactured from galvanised sheet steel, the terminal box and the mounting bracket do not increase the product's profile. Optimised design of the impeller and mounting bracket to increase performance and lower the sound level. Airtight joint between the galvanised steel casing and the plastic guide vane to avoid air leaks. Rubber gaskets on the flanges to improve airtightness with the ducts. Silent-block between the motor and the holder to reduce the motor's vibrations and lower the sound level of the fan.

Motor

Fitted with an external rotor single-phase AC motor:

- 220-240V 50/60Hz, Class F, IP 44
- Speed controllable by voltage.
- Thermal protection with manual reset.
- Working temperature: -20/60 °C



Terminal box

Built-in, IP65 terminal box that does not add to the overall height dimensions.



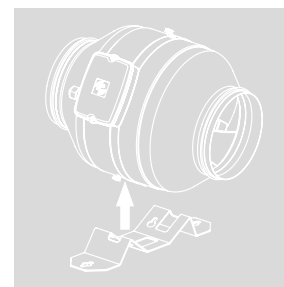
Airtight joints

Rubber gaskets for a more airtight joint with the installation's ducts.



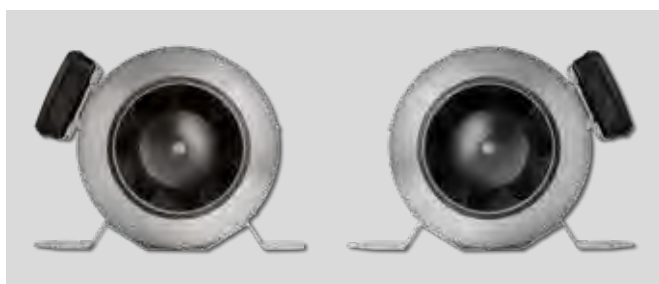
High performance Impeller

New impeller geometry for reduced sound levels and to offer high performance.



Mounting bracket

Strong mounting bracket supplied with the fan.



Two mounting positions for support

The product can be mounted in two different positions by changing the position of the support's anchoring.

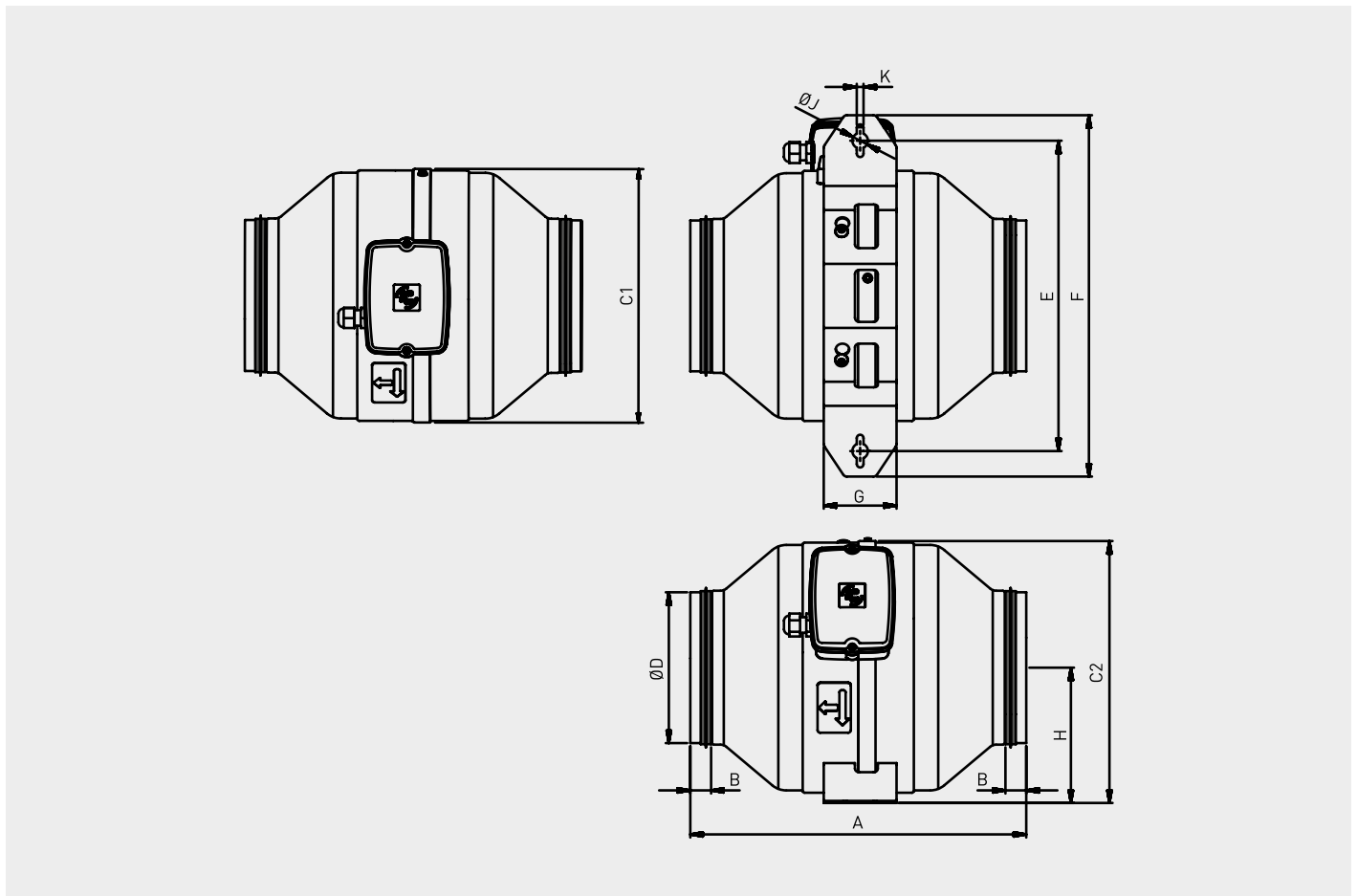
TECHNICAL CHARACTERISTICS

Before installation check that the product electrical characteristics listed on the data plate label (voltage, power, frequency, etc.) match those of the intended electrical supply.

Model type	Speed (rpm)	Maximum absorbed power (W)	Maximum absorbed current (A-230V)	Maximum air volume (m ³ /s)	Sound pressure level* (dB(A))			Max. Air temp. (°C at 50Hz)	Weight (kg)	Speed controller	
					Inlet	Radiated	Outlet			REB	RMB
JETLINE-100	2690	19	0,10	0.073	41	22	39	-20/+60	3	REB-1 N	RRB-100
JETLINE-125	2640	40	0,20	0.117	47	25	47	-20/+60	3,4	REB-1 N	RRB-100
JETLINE-150	2730	83	0,40	0.208	52	31	50	-20/+60	4,5	REB-1 N	RMB-1,5
JETLINE-160	2730	84	0,40	0.210	52	31	51	-20/+60	4,5	REB-1 N	RMB-1,5
JETLINE-200	2630	125	0,50	0.300	58	42	55	-20/+60	5,6	REB-1 N	RMB-1,5

* sound pressure level measured at 1,5 m in free field condition, at the duty point 2 of the performance curve.

DIMENSIONS (mm)



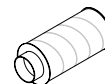
Model	A	B	C1	C2	ØD	E	F	G	H	ØJ	K
JETLINE-100	276	15	181	190	95	256	306	70	98	15	6,5
JETLINE-125	279	15	206	214	120	265	315	70	111	15	6,5
JETLINE-150	323	20	244	252	145	299	348	70	130	15	6,5
JETLINE-160	323	20	244	252	155	299	348	70	130	15	6,5
JETLINE-200	322	30	273	281	195	320	369	100	144,5	15	6,5

PERFORMANCE DATA


Airflow m³/s @ Static Pressure Pa

Model	0	25	50	75	100	150	200	250	300	350	400	450	500	550	600	600	
JETLINE-100	0.073	0.068	0.062	0.056	0.048	0.024	0.007										
JETLINE-125	0.117	0.110	0.103	0.096	0.087	0.063	0.032	0.015									
JETLINE-150	0.208	0.201	0.193	0.185	0.176	0.156	0.129	0.096	0.056	0.035	0.019						
JETLINE-160	0.210	0.204	0.197	0.190	0.182	0.162	0.136	0.096	0.052	0.034	0.018						
JETLINE-200	0.300	0.291	0.282	0.273	0.263	0.242	0.217	0.183	0.136	0.055	0.022	0.004					
JETLINE-250	0.351	0.340	0.330	0.320	0.310	0.288	0.265	0.240	0.208	0.168	0.099	0.047	0.018				
JETLINE-315	0.446	0.435	0.423	0.411	0.399	0.372	0.343	0.313	0.276	0.228	0.174	0.110	0.052	0.024	0.001		

JETLINE ACCESSORIES PRICES



Code	Model	Trade Price	Electronic Speed Controller	Trade Price	Transformer Speed Controller	Trade Price	Fast clamp	Trade Price	B/D Shutter	Trade Price	Silencer	Trade Price	Filter	Trade Price
5145895600	Jetline 100	£123.83	REB-1	£64.08	RRB-100	£69.78	ACOP VENT 100	£16.92	MCA-250/100	£38.79	SIL-100	£77.68	MFL-100	£75.54
5145895700	Jetline 125	£123.89	REB-1	£64.08	RRB-100	£69.78	ACOP VENT 125	£18.23	MCA-350/125	£41.35	SIL-125	£112.72	MFL-125	£77.78
5145895800	Jetline 150	£146.64	REB-1	£64.08	RMB 1.5	£114.74	ACOP VENT 150	£18.23	MCA-500/150	£48.94	SIL-150	£142.23	MFL-150	£95.01
5145895900	Jetline 160	£147.60	REB-1	£64.08	RMB 1.5	£114.74	ACOP VENT 160	£18.23	MCA-500/160	£48.94	SIL-160	£142.23	MFL-160	£95.01
5145896000	Jetline 200	£188.63	REB-1	£64.08	RMB 1.5	£114.74	ACOP VENT 200	£19.65	MCA-800/200	£58.38	SIL-200	£176.67	MFL-200	£101.54



ALWAYS READY TO DELIVER.

With S&P's range, resources and services, you can reduce costs, save time and eliminate delays.

Get help with specifying.

Have a question?
Speak to an S&P Product Selector Specialist.

Call us on 0845 4700074

CENTRIFUGAL IN-LINE FANS

VENT series

Range of in-line duct centrifugal fans, manufactured from high grade corrosion resistant pressed galvanised steel¹ and supplied as standard with a pre-wired wiring junction box and a robust mounting foot or mounting brackets (depending on product size). All models include an enclosed type, single-phase external rotor motor with factory matched backward curved non-stalling impeller.

(1) Models 355 and 400 are manufactured in sheet steel protected against corrosion by cathodolysis primer and black polyester paint finish.

Motors

100 – 315 models: Motors (and terminal box) are IP44, class B insulation with ball bearings and safety thermal overload protection.

355 and 400 models: Motors (and terminal box) are IP54,

class F, with ball bearings and safety thermal overload protection.

Electrical supply:

Single phase 230V-50/60Hz.

Three phase 230/400V-50Hz

(models 355 and 400).

All models are speed controllable.



VENT-355 and VENT-400



VENT-100 to VENT-315



Mounting foot

Supplied with unit as standard (Models 100 to 315).

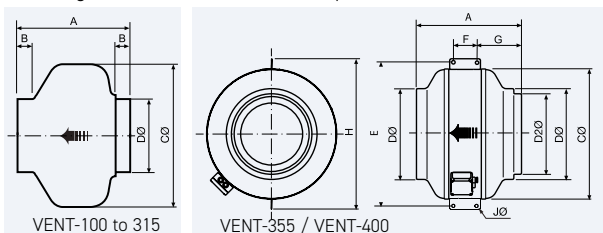
PERFORMANCE DATA

Airflow m³/s @ Static Pressure Pa

Model	0	25	50	75	100	125	150	175	200	250	300	350	400	450	500	600	700
Single Phase																	
VENT-100NK	0.082	0.078	0.074	0.070	0.067	0.063	0.060	0.056	0.052	0.044	0.033	0.017					
VENT-125NK	0.108	0.102	0.095	0.089	0.081	0.074	0.068	0.063	0.058	0.047	0.035	0.015					
VENT-150NK	0.208	0.200	0.191	0.182	0.173	0.163	0.152	0.140	0.130	0.109	0.088	0.071	0.052	0.023			
VENT-160NK	0.212	0.205	0.196	0.188	0.178	0.167	0.155	0.143	0.132	0.110	0.090	0.072	0.048	0.022			
VENT-200NK	0.270	0.262	0.254	0.247	0.239	0.232	0.224	0.217	0.209	0.191	0.172	0.152	0.129	0.101	0.070		
VENT-250NK	0.287	0.280	0.272	0.264	0.256	0.248	0.239	0.230	0.221	0.199	0.178	0.157	0.133	0.109	0.074		
VENT-315NK	0.379	0.368	0.356	0.345	0.335	0.326	0.317	0.308	0.300	0.280	0.259	0.238	0.215	0.189	0.163	0.105	0.017
VENT-355 N	0.748	0.721	0.693	0.664	0.633	0.599	0.560	0.517	0.474	0.390	0.298	0.178					
VENT-400 N	1.080	1.052	1.023	0.993	0.961	0.925	0.886	0.845	0.805	0.725	0.638	0.532	0.408	0.249	0.027		
VENT-355 NT	0.732	0.706	0.679	0.650	0.620	0.586	0.550	0.510	0.468	0.384	0.293	0.178					
VENT-400 NT	1.065	1.037	1.009	0.979	0.948	0.913	0.876	0.836	0.798	0.719	0.629	0.521	0.392	0.226	0.030		

DIMENSIONS (mm)

Mounting with the motor in horizontal position.



Model	A	B	C	D	D2	E	F	G	H	J
VENT-100	194	23	243	98						
VENT-125	195	27	243	123						
VENT-150	214	24	333	147						
VENT-160	222	28	333	157						
VENT-200	223	25	333	198						
VENT-250	206	27	333	248						
VENT-315	230	25	401	312						
VENT-355	410	314	508	354	314	552	100	170	587	10,5
VENT-400	431	354	568	399	354	628	100	185	647	10,5

TECHNICAL DATA

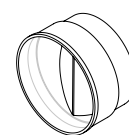
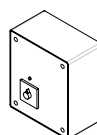
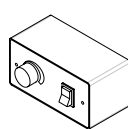
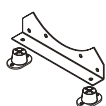
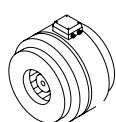
Before installation check that the product electrical characteristics listed on the data plate label (voltage, power, frequency, etc.) match those of the intended electrical supply.

Model	Voltage V/Hz	Speed (rpm)	Maximum absorbed power (W)	Maximum absorbed current (A)	Maximum airflow (m³/s)	Sound pressure level at 3m (dB(A))	Minimum ambient temperature (°C)	Maximum ambient temperature (°C)	Weight (kg)
VENT-100NK	230 - 50	2500	75	0,33	0.082	47	-40	60	3
VENT-125NK	230 - 50	2450	80	0,35	0.108	47	-40	60	3
VENT-150NK	230 - 50	2700	120	0,53	0.208	50	-40	60	5
VENT-160NK	230 - 50	2750	130	0,55	0.212	51	-40	60	5
VENT-200NK	230 - 50	2600	170	0,72	0.270	52	-40	60	5
VENT-250NK	230 - 50	2750	180	0,80	0.287	54	-40	60	6
VENT-315NK	230 - 50	2700	315	1,30	0.379	57	-40	50	8
VENT-355N	230 - 50	1350	280	1,20	0.748	60	-40	70	17
VENT-400N	230 - 50	1250	400	1,60	1.080	61	-40	50	22

THREE PHASE

VENT-355 NT	230/400 - 50	1375	290	1,4/0,8	0.736	60	-40	70	17
VENT-400 NT	230/400 - 50	1360	450	1,9/1,1	0.938	61	-40	50	22

VENT In Line Centrifugal Fan Prices



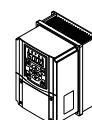
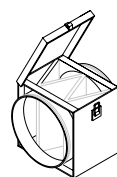
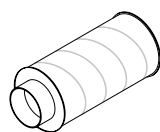
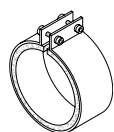
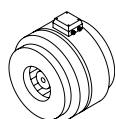
Code	Model	Trade Price	Mounting Foot	Trade Price	Electronic Speed Controller	Trade Price	Transformer Speed Controller*	Trade Price	B/D Shutter	Trade Price
------	-------	-------------	---------------	-------------	-----------------------------	-------------	-------------------------------	-------------	-------------	-------------

SINGLE PHASE

5145889700	VENT-100NK	£74.31	5145846100	FOC	REB-1	£64.08	REV-3N	£388.33	CAR-100	£29.90
5145890000	VENT-125NK	£76.88	5145846100	FOC	REB-1	£64.08	REV-3N	£388.33	CAR-125	£33.45
5145889000	VENT-150NK	£83.31	5145846100	FOC	REB-1	£64.08	REV-3N	£388.33	CAR-150	£36.83
5145889300	VENT-160NK	£83.31	5145846100	FOC	REB-1	£64.08	REV-3N	£388.33	CAR-160	£36.83
5145888500	VENT-200NK	£112.76	5145846100	FOC	REB-1	£64.08	REV-3N	£388.33	CAR-200	£40.39
5145888200	VENT-250NK	£135.84	5145846100	FOC	REB-1	£64.08	REV-3N	£388.33	CAR-250	£50.89
5145887900	VENT-315NK	£176.83	5145846100	FOC	REB-3	£78.64	REV-3N	£388.33	CAR-315	£65.27
5145888600	VENT-355 N	£576.64	5145846100	FOC	REB-3	£78.64	REV-3N	£388.33	CAR-355	£80.58
5145888700	VENT-400 N	£788.05	5145846100	FOC	REB-3	£78.64	REV-5N	£468.42	CAR-400	£101.92

THREE PHASE

5145890800	VENT-355 NT	£480.53							CAR-355	£80.58
5145890900	VENT-400 NT	£704.77							CAR-400	£101.92



Code	Model	Fast Clamp	Trade Price	Silencer	Trade Price	Filter Box G4	Trade Price
------	-------	------------	-------------	----------	-------------	---------------	-------------

SINGLE PHASE

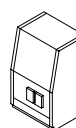
5145889700	VENT-100NK	ACOP-VENT 100	£16.92	SIL 100	£77.68	MFL-100	£75.54
5145890000	VENT-125NK	ACOP-VENT 125	£18.23	SIL-125	£112.72	MFL-125	£77.78
5145889000	VENT-150NK	ACOP-VENT 150	£18.23	SIL-150	£142.23	MFL-150	£95.01
5145889300	VENT-160NK	ACOP-VENT 160	£18.23	SIL-160	£142.23	MFL-160	£95.01
5145888500	VENT-200NK	ACOP-VENT 200	£19.65	SIL-200	£176.67	MFL-200	£101.54
5145888200	VENT-250NK	ACOP-VENT 250	£21.30	SIL-250	£210.03	MFL-250	£142.60
5145887900	VENT-315NK	ACOP-VENT 315	£22.05	SIL-315	£288.98	MFL-315	£166.33
5145888600	VENT-355 N	ACOP-VENT 355	£48.10	SIL-355	£349.88	MFL-355	£168.53
5145888700	VENT-400 N	ACOP-VENT 400	£49.92	SIL-400	£369.35	MFL-400	£171.86

THREE PHASE

5145890800	VENT-355 NT	ACOP-VENT 355	£48.10	SIL-355	£349.88	MFL-355	£168.53
5145890900	VENT-400 NT	ACOP-VENT 400	£49.92	SIL-400	£369.35	MFL-400	£171.86

ALL THREE PHASE MODELS*

Frequency Inverter	Trade Price
1/230V	£489.25
S&P VFD-M10A	Trade Price
3/400V	£565.47
S&P VFD-T5A	Trade Price



ALL THREE PHASE MODELS

DOL Starter	Trade Price
MSD 0-25A	£227.62



LOW ENERGY CIRCULAR DUCT FANS

VENT ECOWATT series

In-line centrifugal duct fans suitable for a wide range of general residential, commercial and industrial exhaust or supply ventilation applications.

Description

Circular in-line duct fans from 100 to 400 mm diameter.

Models are suitable for mounting in any orientation and operation within ambient air temperatures between -20°C up to +40°C. Comprehensive range of accessories to ease the installation and control the fan performances.

Construction

Fan casing manufactured from high-grade corrosion-resistant pressed galvanised steel. Supplied as standard with a pre-wired wiring junction box and a robust mounting foot or mounting brackets (depending on product size). Fully airtight sealed assembly.

Direct drive centrifugal impeller.

Brushless EC motor, IP44, with thermal overload protection, suitable for single phase supply 230V +/- 15%/50-60Hz.

Fan speed adjustable with the potentiometer placed in the connection box or with an external control type REB-ECOWATT.

Analogue input with terminals in the terminal box to control the fan with 0-10V input signal.



Adjustable Trickle & Boost facility with on-board potentiometer

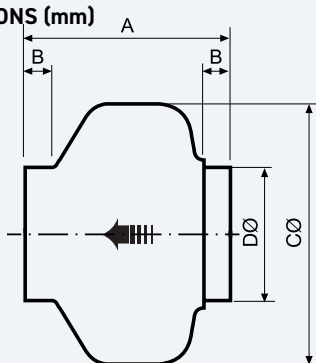


Mounting foot
Supplied with unit as standard (Models 100 to 315).

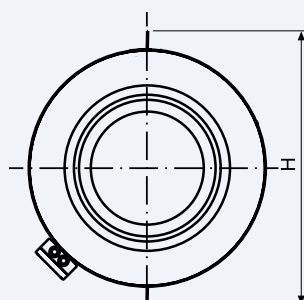


Models 355 and 400

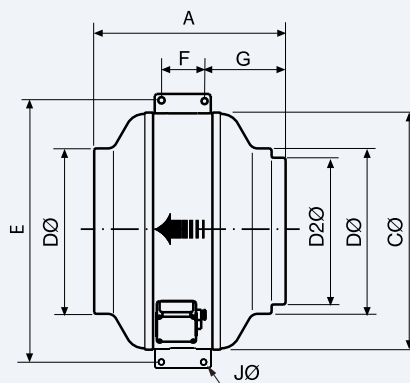
DIMENSIONS (mm)



VENT-100 to 315



VENT-355 / VENT-400



DIMENSIONS

Model	A	B	C	D	D2	E	F	G	H	J
VENT-100 ECOWATT	251	23	243	98						
VENT-125 ECOWATT	253	27	243	123						
VENT-150 ECOWATT	214	24	333	147						
VENT-160 ECOWATT	222	28	333	157						
VENT-200 ECOWATT	223	25	333	198						
VENT-250 ECOWATT	206	27	333	248						
VENT-315 ECOWATT	230	25	401	312						
VENT-355 ECOWATT	410	314	508	354	314	410	100	170	587	11
VENT-400 ECOWATT	441	354	568	399	354	441	100	185	647	11

TECHNICAL DATA

Before installation check that the product electrical characteristics listed on the data plate label (voltage, power, frequency, etc.) match those of the intended electrical supply.

Model	Signal voltage (V)	Speed (rpm)	Maximum absorbed power (W)	Maximum absorbed current (A)	Maximum air volume (m ³ /s)	Sound pressure level LpA @ at 3m (dB(A))			Weight (kg)
						Inlet	Radiated	Outlet	
VENT-100 ECOWATT	10	2810	61	0,40	0.082	50	41	48	4,0
VENT-125 ECOWATT	10	2800	65	0,50	0.106	50	41	48	4,0
VENT-150 ECOWATT	10	2910	115	0,80	0.184	57	38	55	5,0
VENT-160 ECOWATT	10	2860	109	0,80	0.197	56	37	55	5,0
VENT-200 ECOWATT	10	2580	136	0,90	0.255	54	35	54	5,0
VENT-250 ECOWATT	10	2580	137	0,90	0.285	56	39	57	6,0
VENT-315 ECOWATT	10	2570	285	1,80	0.400	61	46	63	8,0
VENT-355 ECOWATT	10	1410	248	1,00	0.727	53	43	55	17,0
VENT-400 ECOWATT	10	1400	376	1,60	0.941	55	44	58	22,0

* Sound pressure level measured in free field condition at 3m, at the medium working point on the performance curve, shown 2, 5, 8 and 11.

PERFORMANCE DATA

Airflow m³/s @ static pressure Pa

Model	0	25	50	75	100	150	200	250	300	350	400
VENT-100-ECOWATT	0.082	0.079	0.075	0.072	0.068	0.061	0.053	0.038	0.021	0.002	
VENT-125-ECOWATT	0.106	0.101	0.095	0.090	0.085	0.073	0.062	0.049	0.025		
VENT-150-ECOWATT	0.184	0.177	0.171	0.164	0.157	0.143	0.127	0.111	0.095	0.080	0.066
VENT-160-ECOWATT	0.197	0.189	0.181	0.173	0.164	0.147	0.129	0.109	0.090	0.072	0.053
VENT-200-ECOWATT	0.255	0.246	0.238	0.229	0.220	0.203	0.185	0.164	0.137	0.101	0.057
VENT-250-ECOWATT	0.285	0.276	0.267	0.258	0.248	0.230	0.211	0.191	0.168	0.140	0.089
VENT-315-ECOWATT	0.400	0.390	0.379	0.369	0.358	0.336	0.312	0.287	0.257	0.219	0.163
VENT-355-ECOWATT	0.727	0.701	0.675	0.646	0.616	0.549	0.475	0.391	0.285	0.031	
VENT-400-ECOWATT	0.941	0.916	0.890	0.864	0.836	0.774	0.700	0.612	0.514	0.395	0.106

VENT ECOWATT IN-LINE CENTRIFUGAL FAN PRICES



Code	Model	Trade Price	B/D Shutter	Trade Price	Fast Clamp	Trade Price	Silencer	Trade Price	Filter Box G4	Trade Price
5145880000	VENT-100-ECOWATT	£229.49	CAR-100	£29.90	ACOP-VENT 100	£16.92	SIL-100	£77.68	MFL-100	£75.54
5145880100	VENT-125-ECOWATT	£232.81	CAR-125	£33.45	ACOP-VENT 125	£18.23	SIL-125	£112.72	MFL-125	£77.78
5145880200	VENT-150-ECOWATT	£279.51	CAR-150	£36.83	ACOP-VENT 150	£18.23	SIL-150	£142.23	MFL-150	£95.01
5145880300	VENT-160-ECOWATT	£279.51	CAR-160	£36.83	ACOP-VENT 160	£18.23	SIL-160	£142.23	MFL-160	£95.01
5145880400	VENT-200-ECOWATT	£318.65	CAR-200	£40.39	ACOP-VENT 200	£19.65	SIL-200	£176.67	MFL-200	£101.54
5145880500	VENT-250-ECOWATT	£372.12	CAR-250	£50.89	ACOP-VENT 250	£21.30	SIL-250	£210.03	MFL-250	£142.60
5145880600	VENT-315-ECOWATT	£429.73	CAR-315	£65.27	ACOP-VENT 315	£22.05	SIL-315	£288.98	MFL-315	£166.33
5145880700	VENT-355-ECOWATT	£1,341.89	CAR-355	£80.58	ACOP-VENT 355	£48.10	SIL-355	£349.88	MFL-355	£168.53
5145880800	VENT-400-ECOWATT	£1,562.77	CAR-400	£101.92	ACOP-VENT 400	£49.92	SIL-400	£369.35	MFL-400	£171.86

ALL MODELS



Speed Controller	Trade Price
REB-CVF 0-10V	£121.96

ACOUSTIC CABINET FANS

CAB series

Acoustic cabinet fans manufactured from heavy gauge galvanised steel sheet and internally lined with 50 mm thickness of fireproof acoustic insulation (M0). Fan cover supplied with "quick-fix" fixings to enable fast removal and fitting, and a tight close. All models incorporate single phase direct-drive forward curved centrifugal fan. All fans installed in acoustic cabinet fans CAB comply with the efficiency requirements of the ErP Directive.

Available, depending upon the model, with single motors in 2 or 4 poles.

Motors

All motors are IP44, Class B, with ball bearings and thermal protection.

Electrical supply:

Single phase 230V-50Hz.

Speed controllable using voltage regulation.



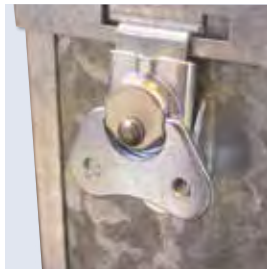
Low noise level

Acoustic insulation of 50 mm thickness fireproof fibreglass (M0) with a high resistance coating reducing the noise level significantly.



Cabinet air tightness

All models incorporate inlet and discharge circular duct connection flanges with integrated rubber air seal.



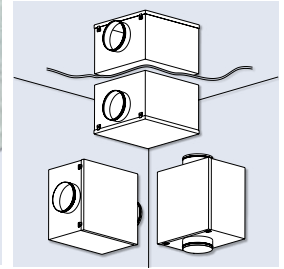
Easy maintenance

"Quick fix" fixings to enable a fast and easy maintenance.



Easy to install

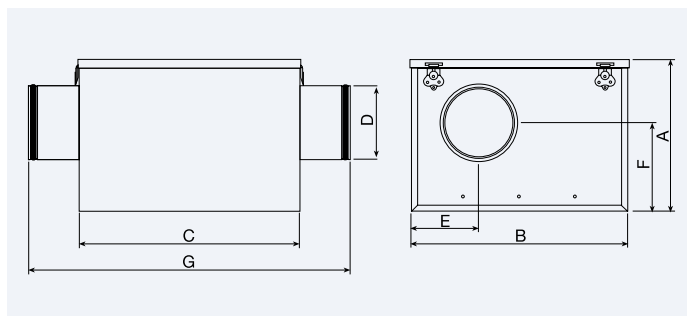
All models are supplied with four mounting feet to facilitate any ceiling, wall or floor mounting installation.



Installation in any position

Can be mounted in vertical, horizontal or inverted position.

DIMENSIONS (mm)



Model	A	B	C	Ø D	E	F	G
CAB-100	273	388	395	100	125	162	505
CAB-125	273	388	395	125	125	162	505
CAB-150	273	388	395	150	143	162	505
CAB-160	273	388	395	160	143	162	505
CAB-200	328	430	365	200	216	210	475

TECHNICAL DATA

Before installation check that the product electrical characteristics listed on the data plate label (voltage, power, frequency, etc.) match those of the intended electrical supply.

Model	Speed (r.p.m.)	Max. power (W)	Max. current at 230V (A)	Max. airflow (m ³ /s)	Sound pressure level ** (dB(A)) at 3m			Weight (Kg)	Speed controller
					Outlet	Inlet	Radiated*		
CAB-100	1350	50	0,2	0.054	40	27	23	16	REB-1
CAB-125	1350	50	0,2	0.062	40	27	23	16	REB-1
CAB-150	1750	100	0,4	0.101	48	43	29	18	REB-1
CAB-160	1750	100	0,4	0.101	48	34	29	18	REB-1
CAB-200	2000	205	0,7	0.256	49	39	31	22	REB-1

* Fan ducted on both inlet and outlet sides.

** Curves measured at 2/3 of Qmax.

PERFORMANCE DATA

Airflow m³/s @ Static Pressure Pa

Model	0	25	50	75	100	150	200	250	300	350	400	450	500
CAB-100	0.054	0.050	0.047	0.043	0.030	0.018							
CAB-125	0.062	0.057	0.052	0.048	0.044	0.033	0.019						
CAB-150	0.101	0.094	0.088	0.084	0.071	0.062	0.051						
CAB-160	0.101	0.094	0.088	0.084	0.071	0.062	0.051						
CAB-200	0.256	0.249	0.242	0.234	0.227	0.212	0.192	0.170	0.141	0.118	0.081		

CAB ACOUSTIC BOX FAN PRICES

Code	Model	Trade Price	Electronic Speed Controller	Trade Price	Transformer Speed Controller	Trade Price	B/D Shutter	Trade Price
5113862300	CAB-100	£269.78	REB-1	£64.08	RMB-1.5	£388.33	CAR-100	£29.90
5113210800	CAB-125	£269.78	REB-1	£64.08	RMB-1.5	£388.33	CAR-125	£33.45
5113862400	CAB-150	£294.49	REB-1	£64.08	RMB-1.5	£388.33	CAR 150	£36.83
5113211600	CAB-160	£294.49	REB-1	£64.08	RMB-1.5	£388.33	CAR-160	£36.83
5113212400	CAB-200	£343.95	REB-1	£64.08	RMB-1.5	£388.33	CAR-200	£40.39



ALLMODELS
AV mounts)
set of 4)

Trade
Price

KSE-45 £35.49

Code	Model	Fast Clamp	Trade Price	Silencer	Trade Price	Filter Box G4	Trade Price	Discharge guard	Trade Price
5113862300	CAB-100	ACOP-VENT 100	£16.92	SIL-100	£77.68	MFL-100	£75.54	APC-100	£29.82
5113210800	CAB-125	ACOP-VENT 125	£18.23	SIL-125	£112.72	MFL-125	£77.78	APC-125	£30.66
5113862400	CAB-150	ACOP-VENT 150	£18.23	SIL-150	£142.23	MFL-150	£95.01	APC-160	£32.60
5113211600	CAB-160	ACOP-VENT 160	£18.23	SIL-160	£142.23	MFL-160	£95.01	APC-160	£32.60
5113212400	CAB-200	ACOP-VENT 200	£19.65	SIL-200	£176.67	MFL-200	£101.54	APC-200	£34.36



LOW ENERGY ACOUSTIC TWIN FAN

CAB TWIN ECOWATT series

The CAB TWIN ECOWATT N range comprises 7 sizes of centrifugal twin fans with acoustically-lined cabinets; each consisting of two direct-driven centrifugal fans which work independently for run and standby plus duty-share function. The low-noise backward-curved fans are fitted with maintenance-free electronically-commutated or EC motors. Recirculation of air is prevented by an integral back-draught shutter. Impellers are designed for high efficiency and are balanced to ISO-1940.

The cabinets are welded and are lined with 25mm of flame-retardant V0 rated acoustic insulation lining. As standard, they are supplied suitable for mounting indoors; however weatherproof covers for outdoor mounting are available as an accessory. The cabinets are provided with 4 corner fixing holes for ease of mounting horizontally, with access either from above or below the unit via the panel secured with screws. Motors are suitable for continuous operation at up to +40°C ambient temperature.

The units are fitted with an IP54 rated ACODS control unit providing automated Run and Standby functions by low current sensing. The integrated control unit also allows for trickle and boost speeds defined upon installation or remotely adjustable via accessories and in addition provides duty-sharing adjustable from 3-24 hours (3 hour steps) and BMS output/remote fault indication. 1 or 2 speeds settable during installation to provide either A) a pre-defined duty or b) a trickle and boost ventilation rate via external switch or sensor.

Application

Toilet extract ventilation in offices, hospitals, schools, retail outlets plus other areas where run and standby operation is required.



New and improved design for better SFPs



Backward curved impeller
With energy-efficient EC motor



Integrated IP54 control unit & back-draught shutter



Easy to Mount



Integrated control unit



Outdoor cover available as an accessory

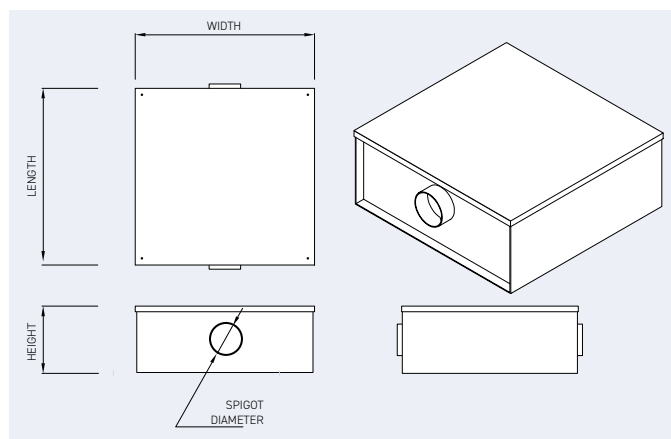
EC TWIN FAN UNITS:

- Low-energy EC motor with efficient backward curved impeller
- Wide range of performances up to 2398m³/hr (0.666m³/s)
- High pressure capabilities, up to 400Pa
- Top or bottom access
- Acoustically-lined cabinets
- 100% Run & Standby

INTEGRATED CONTROL UNIT:

- Duty sharing auto-changeover control unit built-in
- 0-10V Speed controllable
- BMS compatible
- Adjustable Trickle & Boostspeed settings (switch via PIR, RH% or other external switch)

Dimensions



Model	Width (mm)	Length (mm)	Height (mm)	Spigot Diam. (mm)	Spigot Length (mm)
CAB-TWIN 125 ECOWATT N	650	450	315	125	55
CAB-TWIN 150 ECOWATT N	650	450	315	150	55
CAB-TWIN 200 ECOWATT N	810	485	374	200	55
CAB-TWIN 250 ECOWATT N	810	548	401	250	55
CAB-TWIN 315 ECOWATT N	1048	685	454	315	55
CAB-TWIN 355 ECOWATT N	1130	730	494	355	55
CAB-TWIN 400 ECOWATT N	1130	730	494	400	55

TECHNICAL CHARACTERISTICS

Before installation check that the product electrical characteristics listed on the data plate label (voltage, power, frequency, etc.) match those of the intended electrical supply.

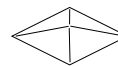
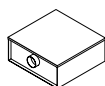
Model	Maximum absorbed power (W)	Maximum absorbed current (A)	Maximum airflow (m³/s)	Sound pressure level (dB(A)) at 3m			Weight (kg)
				Outlet	Inlet	Radiated	
CAB-TWIN 125 ECOWATT N	133	0.9	0.143	36	43	31	14
CAB-TWIN 150 ECOWATT N	133	0.9	0.155	41	44	34	23
CAB-TWIN 200 ECOWATT N	160	1.15	0.290	42	47	33	28
CAB-TWIN 250 ECOWATT N	207	1.29	0.333	46	52	36	44
CAB-TWIN 315 ECOWATT N	264	1.16	0.518	48	51	46	44
CAB-TWIN 355 ECOWATT N	229	0.95	0.653	48	52	43	81
CAB-TWIN 400 ECOWATT N	229	0.95	0.666	48	49	42	91

PERFORMANCE DATA

Airflow m³/s @ static pressure Pa

Model	0	25	50	75	100	150	200	250	300	350	400	450	500
CAB-TWIN 125 ECOWATT N	0.143	0.139	0.134	0.129	0.124	0.117	0.110	0.099	0.090	0.081	0.070	0.060	0.049
CAB-TWIN 150 ECOWATT N	0.155	0.151	0.147	0.142	0.138	0.126	0.120	0.106	0.095	0.086	-	-	-
CAB-TWIN 200 ECOWATT N	0.290	0.282	0.273	0.264	0.256	0.219	0.204	0.185	0.158	0.140	0.120	0.092	0.060
CAB-TWIN 250 ECOWATT N	0.333	0.326	0.317	0.306	0.295	0.274	0.256	0.235	0.197	0.175	0.175	0.158	0.136
CAB-TWIN 315 ECOWATT N	0.518	0.506	0.493	0.476	0.457	0.401	0.357	0.306	0.250	0.160	0.109	-	-
CAB-TWIN 355 ECOWATT N	0.653	0.625	0.597	0.597	0.536	0.472	0.411	0.347	0.250	-	-	-	-
CAB-TWIN 400 ECOWATT N	0.666	0.631	0.611	0.589	0.542	0.486	0.431	0.351	0.250	-	-	-	-

CAB TWIN ECOWATT Acoustic Fan Prices



Code	Model	Trade Price	Fast Clamp	Trade Price	Discharge guard	Trade Price	Outdoor Lid	Trade Price
1000000591	CAB TWIN-125 ECOWATT N	£1,323.14	ACOP-VENT 125	£18.23	APC-125	£30.66	CAB TWIN-125/150 ECOWATT N OUTDOOR LID	£68.80
1000000592	CAB TWIN-150 ECOWATT N	£1,348.38	ACOP-VENT 150	£18.23	APC-160	£32.60	CAB TWIN-125/150 ECOWATT N OUTDOOR LID	£68.80
1000000593	CAB TWIN-200 ECOWATT N	£1,417.57	ACOP-VENT 200	£19.65	APC-200	£34.36	CAB TWIN-200 ECOWATT N OUTDOOR LID	£68.80
1000000594	CAB TWIN-250 ECOWATT N	£1,538.35	ACOP-VENT 250	£21.30	APC-250	£40.58	CAB TWIN-250 ECOWATT N OUTDOOR LID	£96.32
1000000595	CAB TWIN-315 ECOWATT N	£2,279.51	ACOP-VENT 315	£22.05	APC-315	£50.57	CAB TWIN-315 ECOWATT N OUTDOOR LID	£96.32
1000000596	CAB TWIN-355 ECOWATT N	£2,407.99	ACOP-VENT 355	£48.10	APC-355	£63.44	CAB TWIN-355/400 ECOWATT N OUTDOOR LID	£123.84
1000000597	CAB TWIN-400 ECOWATT N	£2,690.17	ACOP-VENT 400	£49.92	APC-400	£71.20	CAB TWIN-355/400 ECOWATT N OUTDOOR LID	£123.84

SENSORS & SWITCHES

1000000275	PIR Movement Sensor	£103.26
1000000389	Thermostat 230V	£26.15



ALL MODELS	
AV mounts (set of 4)	Trade Price
KSE-45	£35.69



ALL MODELS	
Speed Controller	Trade Price
REB-CVF 0-10V	£121.96

IN-LINE RECTANGULAR DUCT FANS

IRB/IRT series

Range of rectangular duct fans suitable for many general ventilation applications where the fan is required to be installed within a rectangular ducted ventilation system or where the space for installation is limited. High performance centrifugal fans. All models suitable for mounting in any orientation. Casing manufactured from heavy gauge galvanised sheet steel. Direct drive backward curved impellers manufactured from aluminium sheet. External rotor motor, Class F insulation with thermal protection. Remote terminal box.



SFP
<1.0W/l/s

PART L2: 2013
COMPLIANT

Motors

Motor and impeller fitted on the inspection cover enabling easy cleaning and maintenance.

- IRB models: Single-phase 230V-50Hz. IP44 or IP54. Speed controllable by transformer.
- IRT models: Three-phase 230/400V-50Hz. IP54. Speed controllable by transformer or frequency drive.



Inspection door that facilitates maintenance.



Centrifugal backward curved impeller

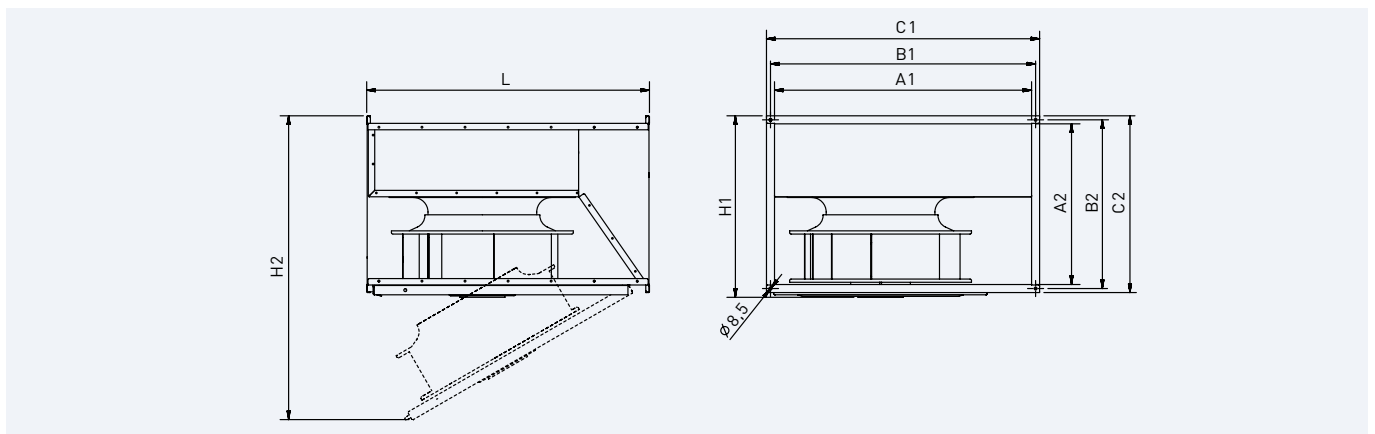
To prevent accumulation of dirt. Dynamically balanced.



IP55 remote terminal box

To ease installation and maintenance and connection to external controls.

DIMENSIONS (mm)



Model	A1	A2	B1	B2	C1	C2	H1	H2	L
180	300	150	320	170	340	190	200	480	375
200	400	200	420	220	440	240	250	650	500
225	500	250	520	270	540	290	300	730	530
315	600	350	620	370	640	390	405	1020	720
355	700	400	720	420	740	440	460	1135	790
400	800	500	820	520	845	545	565	1330	880
450	1000	500	1020	520	1045	545	565	1430	980

TECHNICAL CHARACTERISTICS

Before making any electrical connection ensure that the voltage and frequency of the mains electrical supply matches that of the fan data plate label.

Model	Nominal ducting diameter (mm)	Speed (rpm)	Maximum absorbed power (W)	Maximum absorbed current (A)		Maximum airflow (m³/s)	Maximum ambient temperature (°C)	Sound pressure level at 3m (dB(A))			Weight (kg)	Speed controller
				230V	400V			Inlet	Radiated	Outlet		

SINGLE PHASE

IRB/2-180	300x150	2690	63	0,3		0.141	-30/70	50	36	53	10	REV-3N
IRB/2-200 A	400x200	2635	136	0,6		0.281	-30/70	53	40	56	16	REV-3N
IRB/2-200 B	400x200	2610	204	0,9		0.374	-30/70	55	42	59	16	REV-3N
IRB/4-225	500x250	1388	152	0,6		0.444	-40/70	53	45	57	30	REV-3N
IRB/4-315 A	600x350	1397	278	1,2		0.727	-40/70	53	45	57	37	REV-3N
IRB/4-315 B	600x350	1388	569	2,4		1.032	-40/70	60	52	65	43	REV-3N
IRB/4-355	700x400	1402	845	3,6		1.555	-40/50	60	49	66	56	REV-5N

THREE PHASE

IRT/4-315 A	600x350	1398	244	0,9	0,5	0.707	-40/50	53	47	59	37	
IRT/4-315 B	600x350	1415	568	2,1	1,2	1.070	-40/70	62	53	66	43	
IRT/4-355	700x400	1396	813	2,9	1,7	1.545	-40/60	61	49	67	52	
IRT/4-400 A	800x500	1431	1501	5,5	3,2	2.204	-40/70	64	55	70	80	
IRT/4-400 B	800x500	1393	2142	6,9	4,0	2.662	-40/40	66	56	72	80	
IRT/4-450	1000x500	1381	2379	7,4	4,3	2.979	-40/40	68	61	74	96	

PERFORMANCE DATA

Airflow m³/s @ static pressure Pa

Model	0	25	50	75	100	150	200	250	300	350	400	450	500	600	700	800	900
-------	---	----	----	----	-----	-----	-----	-----	-----	-----	-----	-----	-----	-----	-----	-----	-----

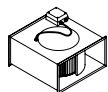
SINGLE PHASE

IRB/2-180	0.141	0.135	0.129	0.123	0.118	0.104	0.091	0.079	0.065	0.041	0.013						
IRB/2-200-A	0.281	0.274	0.266	0.258	0.250	0.232	0.215	0.199	0.183	0.165	0.144	0.119	0.094				
IRB/2-200-B	0.374	0.365	0.355	0.346	0.336	0.316	0.296	0.275	0.254	0.231	0.207	0.182	0.158	0.113			
IRB/4-225	0.444	0.419	0.396	0.374	0.353	0.307	0.248	0.173	0.083								
IRB/4-315-A	0.727	0.695	0.664	0.636	0.610	0.561	0.509	0.446	0.350	0.234	0.094						
IRB/4-315-B	1.032	1.005	0.978	0.951	0.924	0.869	0.812	0.750	0.683	0.608	0.518	0.404	0.267				
IRB/4-355	1.555	1.511	1.468	1.426	1.387	1.316	1.249	1.184	1.118	1.051	0.981	0.902	0.790	0.509			

THREE PHASE

IRT/4-315-A	0.707	0.679	0.650	0.623	0.596	0.543	0.488	0.419	0.325	0.220	0.084						
IRT/4-315-B	1.070	1.044	1.019	0.993	0.968	0.915	0.861	0.805	0.745	0.675	0.588	0.482	0.370				
IRT/4-355	1.545	1.505	1.464	1.425	1.386	1.311	1.239	1.168	1.095	1.016	0.924	0.817	0.697	0.421			
IRT/4-400-A	2.204	2.156	2.109	2.063	2.019	1.939	1.867	1.801	1.739	1.681	1.623	1.564	1.501	1.324	0.948	0.683	0.050
IRT/4-400-B	2.662	2.620	2.578	2.536	2.494	2.411	2.329	2.248	2.168	2.090	2.013	1.937	1.862	1.719	1.571	1.358	0.951
IRT/4-450	2.979	2.935	2.892	2.848	2.805	2.718	2.632	2.545	2.458	2.367	2.272	2.170	2.065	1.853	1.625	1.305	0.769

IRB / T RECTANGULAR IN LINE CENTRIFUGAL DUCT FAN PRICES



Code	Model	Trade Price	Transformer Speed Controller	Trade Price	S&P VFD-M 1/230V	Trade Price	S&P VFD-M 3/400V	Trade Price
------	-------	-------------	------------------------------	-------------	------------------	-------------	------------------	-------------

SINGLE PHASE 2 POLE

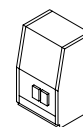
5132928800	IRB/2-180	£270.22	REV-3N	£388.33				
5132928600	IRB/2-200 A	£336.43	REV-3N	£388.33				
5132928700	IRB/2-200 B	£379.03	REV-3N	£388.33				

SINGLE PHASE 4 POLE

5132927000	IRB/4-225	£591.02	REV-3N	£388.33				
5132927100	IRB/4-315 A	£877.76	REV-3N	£388.33				
5132929000	IRB/4-315 B	£996.94	REV-3N	£388.33				
5132929200	IRB/4-355	£1,119.19	REV-5N	£468.42				

THREE PHASE 4 POLE

5132929300	IRT/4-315 A	£829.22			VFD-M 10A	£489.25	VFD-T 5A	£565.47
5132927200	IRT/4-315 B	£914.28			VFD-M 10A	£489.25	VFD-T 5A	£565.47
5132927800	IRT/4-355	£1,024.53			VFD-M 10A	£489.25	VFD-T 5A	£565.47
5132927500	IRT/4-400 A	£1,391.54			VFD-M 10A	£489.25	VFD-T 5A	£565.47
5132928000	IRT/4-400 B	£1,552.52			VFD-M 10A	£489.25	VFD-T 5A	£565.47
5132928300	IRT/4-450	£1,740.14			VFD-M 10A	£489.25	VFD-T 5A	£565.47



ALL THREE PHASE MODELS*

DOL Starter	Trade Price
MSD 0-25A	£227.62

ALL THREE-PHASE MODELS WHERE CONTROLLED BY A VFD



Speed Controller	Trade Price
REB-CVF 0-10V	£121.69

ACOUSTIC KITCHEN EXTRACT FANS

CVAB / CVAT ND series

Range of direct drive backward curved centrifugal cabinet fans designed for ventilation of commercial kitchens and industrial applications.

Cabinet fan manufactured from aluminium profiles and double thickness side panels internally lined with 25 mm thickness of fireproof fibreglass acoustic insulation. All versions except 6000/500:- circular duct connection flange on the inlet and outlet. 6000/500 versions - circular duct on the inlet, square on the outlet. CVAB-N/ CVAT-N incorporates direct drive backward curved centrifugal impeller, manufactured from aluminium (CVAB-N) or steel (CVAT-N) sheet, with motor fitted inside the air stream.



PART L2: 2013
COMPLIANT

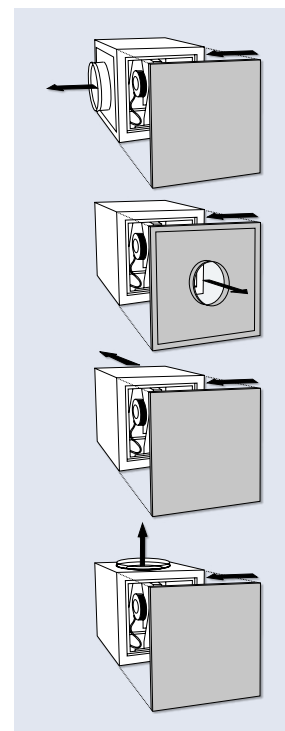
Motors

CVAB-ND

Single-phase external rotor motors 230V 50Hz, IP55, class F, with thermal protection, speed controllable by voltage. Working temperature from -40°C to 60°C.

CVAT-ND

Three-phase 4 and 6 pole motors 230/400V 50Hz, IP55, class F, with thermal protection (PTC), speed controllable by inverter. Working temperature from -20°C to 40°C.



Versatile design



Backward curved centrifugal impellers

To prevent the build-up of dirt. Dynamically balanced.



Low noise level

Double thickness side panels lined with 25 mm thickness of fireproof fibreglass acoustic insulation.



Robustness

Quality finished aluminium profiles and plastic corners provides a robust construction.

Specific applications



Commercial
kitchens

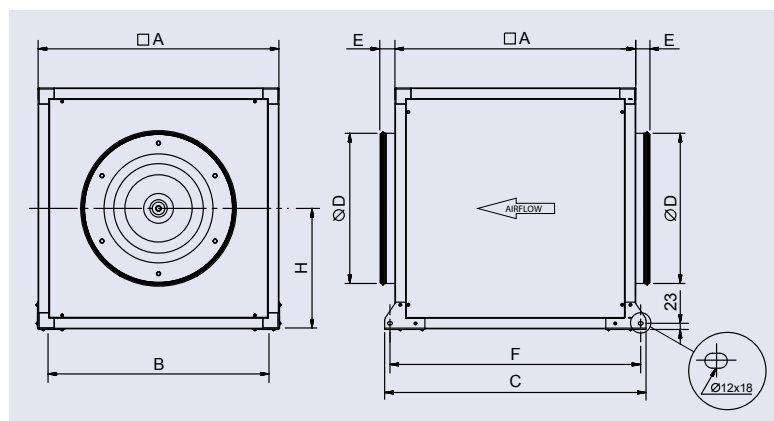
TECHNICAL CHARACTERISTICS

Before installation check that the product electrical characteristics listed on the data plate label (voltage, power, frequency, etc.) match those of the intended electrical supply.

Model	Speed (rpm)	Maximum absorbed power (W)	Maximum absorbed current (A)		Maximum airflow (m ³ /s)	Sound pressure level* (dB(A))	Weight (kg)
			230V	400V			
SINGLE PHASE 4 POLE							
CVAB/4-1400/250 ND	1300	107	0,5	-	0.356	39	13,0
CVAB/4-2000/315 ND	1390	169	0,7	-	0.506	43	13,0
CVAB/4-3000/355 ND	1370	312	1,3	-	0.779	45	30,0
CVAB/4-4000/400 ND	1390	557	2,3	-	1.173	50	32,0
CVAB/4-6000/450 ND	1380	930	3,6	-	1.706	54	46,0
CVAB/4-6000/500 ND	1470	924	3,9	-	1.700	59	38,0
CVAB/4-9000/500 ND	1390	1289	5,3	-	2.104	57	58,0
THREE PHASE 4 POLE							
CVAT/4-1400/250 ND 0,18	1480	116	1.03	0.59	0.342	33	13,0
CVAT/4-2000/315 ND 0,18	1460	169	1.03	0.59	0.505	37	13,0
CVAT/4-3000/355 ND 0,18	1430	251	1.03	0.59	0.739	40	30,0
CVAT/4-4000/400 ND 0,37	1445	438	1.8	1.06	1.070	43	32,0
CVAT/4-6000/450 ND 0,75	1465	747	3.1	1.79	1.562	45	46,0
CVAT/4-6000/500 ND 0.92	1470	943	3.3	1.9	1.740	59	38,0
CVAT/4-9000/500 ND 1,1	1480	1347	4.3	2.5	2.267	48	58,0
CVAT/4-12000/560 ND 2,2	1470	2093	8.2	4.7	3.084	51	82,0
CVAT/4-16000/630 ND 3	1460	3234	10.8	6.3	4.069	53	113,0
THREE PHASE 6 POLE							
CVAT/6-15000/710 ND 1,5	970	1828	6.4	3.7	3.963	55	149,0

* sound pressure level measured in free field condition at 3m.

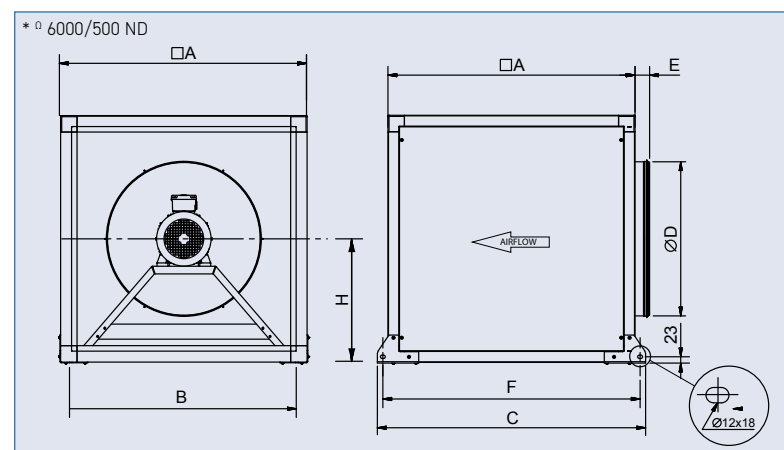
DIMENSIONS (mm)



Model CVAB - CVAT	A	B	C	ØD	E	F	H
1400/250 ND	500	457	574	250*	58	534	250
2000/315 ND	500	457	574	315*	58	534	250
3000/355 ND	650	607	724	355*	58	684	325
4000/400 ND	650	607	724	400*	58	684	325
6000/450 ND	750	707	824	450*	58	784	375
6000/500 ND*	650	607	724	500 ^o	58	684	325
9000/500 ND	800	757	874	500*	58	834	400
12000/560 ND	900	826	977	560*	58	937	450
16000/630 ND	1000	959	1077	630*	58	1037	500
15000/710 ND	1100	1059	1177	710*	58	1137	550

* inlet and outlet

^o inlet only



Performance Data



Axial airflow configuration with outlet spigot plate fitted

Model	Pascals 0	50	100	150	200	250	300	350	400	450	500	550	600
SINGLE PHASE													
CVAB/4-1400/250 ND	0.356	0.313	0.266	0.197	0.093								
CVAB/4-2000/315 ND	0.506	0.460	0.414	0.363	0.307	0.237	0.049						
CVAB/4-3000/355 ND	0.779	0.729	0.675	0.613	0.544	0.464	0.364	0.162					
CVAB/4-4000/400 ND	1.173	1.113	1.052	0.987	0.913	0.826	0.729	0.623	0.499	0.301			
CVAB/4-6000/450 ND	1.706	1.640	1.572	1.500	1.420	1.332	1.235	1.130	1.017	0.886	0.728	0.508	0.215
CVAB/4-6000/500 ND	1.700	1.640	1.570	1.490	1.390	1.320	1.220	1.110	0.989	0.863	0.715	0.487	
CVAB/4-9000/500 ND	2.104	2.031	1.957	1.880	1.799	1.712	1.621	1.526	1.424	1.309	1.181	1.040	0.827
THREE PHASE													
CVAT/4-1400/250 ND	0.342	0.306	0.262	0.206	0.080								
CVAT/4-2000/315 ND	0.505	0.461	0.421	0.378	0.309	0.108							
CVAT/4-3000/355 ND	0.739	0.691	0.639	0.577	0.501	0.394	0.187						
CVAT/4-4000/400 ND	1.070	1.016	0.959	0.900	0.837	0.767	0.676	0.537	0.292				
CVAT/4-6000/450 ND	1.562	1.503	1.443	1.379	1.309	1.233	1.153	1.064	0.949	0.786	0.488		
CVAT/4-6000/500 ND	1.740	1.700	1.600	1.520	1.440	1.350	1.240	1.130	1.020	0.874	0.728	0.489	
CVAT/4-9000/500 ND	2.267	2.203	2.138	2.072	2.003	1.929	1.849	1.756	1.639	1.504	1.373	1.229	1.031
CVAT/4-12000/560 ND	3.084	3.015	2.946	2.875	2.803	2.727	2.646	2.558	2.462	2.352	2.224	2.080	1.932
CVAT/4-16000/630 ND	4.069	3.989	3.908	3.825	3.742	3.656	3.568	3.477	3.381	3.280	3.172	3.055	2.928
CVAT/6-15000/710 ND	3.963	3.828	3.688	3.538	3.368	3.158	2.864	2.531	2.236	1.876	1.258	0.478	



Axial airflow configuration with no outlet spigot plate

Model	Pascals 0	50	100	150	200	250	300	350	400	450	500	550	600
SINGLE PHASE													
CVAB/4-1400/250 ND	0.373	0.330	0.283	0.215	0.111								
CVAB/4-2000/315 ND	0.533	0.488	0.442	0.391	0.334	0.265	0.077						
CVAB/4-3000/355 ND	0.819	0.769	0.715	0.653	0.584	0.504	0.404	0.202					
CVAB/4-4000/400 ND	1.227	1.167	1.106	1.041	0.967	0.880	0.783	0.677	0.553	0.355			
CVAB/4-6000/450 ND	1.799	1.733	1.665	1.592	1.512	1.424	1.327	1.223	1.109	0.978	0.820	0.601	0.307
CVAB/4-6000/500 ND	1.785	1.722	1.649	1.565	1.460	1.386	1.281	1.166	1.038	0.906	0.751	0.511	-
CVAB/4-9000/500 ND	2.206	2.133	2.060	1.983	1.901	1.814	1.723	1.628	1.526	1.412	1.283	1.142	0.930
THREE PHASE													
CVAT/4-1400/250 ND	0.359	0.323	0.279	0.223	0.097								
CVAT/4-2000/315 ND	0.532	0.488	0.448	0.405	0.337	0.136							
CVAT/4-3000/355 ND	0.779	0.731	0.679	0.617	0.541	0.434	0.227						
CVAT/4-4000/400 ND	1.124	1.070	1.013	0.954	0.891	0.821	0.730	0.591	0.346				
CVAT/4-6000/450 ND	1.654	1.596	1.536	1.471	1.401	1.325	1.245	1.157	1.041	0.878	0.580		
CVAT/4-6000/500 ND	1.827	1.785	1.680	1.596	1.512	1.418	1.302	1.187	1.071	0.918	0.764	0.513	-
CVAT/4-9000/500 ND	2.370	2.306	2.241	2.174	2.105	2.032	1.951	1.858	1.741	1.607	1.475	1.332	1.133
CVAT/4-12000/560 ND	3.222	3.153	3.084	3.013	2.941	2.865	2.784	2.696	2.600	2.490	2.362	2.218	2.070
CVAT/4-16000/630 ND	4.261	4.181	4.100	4.017	3.934	3.848	3.760	3.669	3.573	3.472	3.364	3.247	3.120
CVAT/6-15000/710 ND	4.152	4.017	3.877	3.727	3.557	3.347	3.053	2.720	2.425	2.065	1.447	0.667	



90° side outlet configuration with no outlet spigot plate

Model	Pascals 0	50	100	150	200	250	300	350	400	450	500	550	600
SINGLE PHASE													
CVAB/4-1400/250 ND	0.391	0.345	0.297	0.225	0.115								
CVAB/4-2000/315 ND	0.559	0.511	0.462	0.409	0.349	0.277	0.079						
CVAB/4-3000/355 ND	0.858	0.805	0.748	0.684	0.612	0.527	0.423	0.210					
CVAB/4-4000/400 ND	1.285	1.223	1.159	1.090	1.012	0.921	0.819	0.708	0.578	0.370			
CVAB/4-6000/450 ND	1.884	1.815	1.743	1.667	1.583	1.491	1.389	1.279	1.160	1.023	0.856	0.626	0.318
CVAB/4-6000/500 ND	1.869	1.803	1.726	1.638	1.528	1.451	1.341	1.220	1.087	0.949	0.786	0.535	-
CVAB/4-9000/500 ND	2.311	2.235	2.157	2.077	1.991	1.900	1.804	1.704	1.597	1.477	1.342	1.194	0.971
THREE PHASE													
CVAT/4-1400/250 ND	0.376	0.338	0.292	0.234	0.101								
CVAT/4-2000/315 ND	0.558	0.511	0.469	0.424	0.352	0.141							
CVAT/4-3000/355 ND	0.816	0.766	0.711	0.646	0.566	0.454	0.237						
CVAT/4-4000/400 ND	1.178	1.120	1.061	0.999	0.933	0.859	0.764	0.618	0.361				
CVAT/4-6000/450 ND	1.732	1.671	1.608	1.540	1.466	1.387	1.303	1.210	1.089	0.917	0.605		
CVAT/4-6000/500 ND	1.913	1.869	1.759	1.671	1.583	1.484	1.363	1.242	1.121	0.961	0.800	0.538	-
CVAT/4-9000/500 ND	2.483	2.416	2.348	2.278	2.205	2.128	2.044	1.946	1.823	1.682	1.544	1.393	1.185
CVAT/4-12000/560 ND	3.376	3.304	3.231	3.157	3.081	3.001	2.916	2.824	2.723	2.608	2.473	2.322	2.166
CVAT/4-16000/630 ND	4.465	4.380	4.295	4.209	4.121	4.031	3.939	3.842	3.742	3.636	3.522	3.399	3.266
CVAT/6-15000/710 ND	4.350	4.208	4.062	3.904	3.725	3.505	3.196	2.846	2.537	2.158	1.510	0.690	

CVAB / CVAT ND series
PRICESELECTRICAL
CONTROL
ACCESSORIES
PRICESINSTALLATION ACCESSORIES
PRICES

Code	Model	Trade Price	Autotransformer Fan Speed Controller with Motor Protection		Flexible Connectors (Each)		Outdoor Cover	
			Model	Trade Price	Model	Trade Price	Model	Trade Price

CVAB-ND Fans with 1Ph 230V 50Hz motors

5137825400	CVAB/4-1400/250 ND	£503.66	REV-3N	£388.33	ACOPEL 250/160N	£20.07	CTI CVA-N 250/315	£21.10
5137825500	CVAB/4-2000/315 ND	£568.89	REV-3N	£388.33	ACOPEL 315/160N	£22.79	CTI CVA-N 250/315	£21.10
5137825600	CVAB/4-3000/355 ND	£705.37	REV-3N	£388.33	ACOPEL 355/160N	£23.26	CTI CVA-N 355/400	£21.10
5137825700	CVAB/4-4000/400 ND	£886.55	REV-3N	£388.33	ACOPEL 400/160N	£33.74	CTI CVA-N 355/400	£21.10
5137823500	CVAB/4-6000/450 ND	£927.62	REV-5N	£468.42	ACOPEL 450/160N	£36.15	CTI CVA-N 450	£42.42
5137830100	CVAB/4-6000/500 ND	£1,086.89	REV-5N	£468.42	ACOPEL 500/160N	£38.60	CTI CVA-N 355/400	£21.10
5137825800	CVAB/4-9000/500 ND	£1,229.10	REV-7N	£489.02	ACOPEL 500/160N	£38.60	CTI CVA-N 500	£43.94



Code	Model	Trade Price	Inverter Speed Controller IN: 1Ph 230V 50Hz / OUT: 3Ph 230V 50Hz S&P VFD		Inverter Speed Controller IN: 3Ph 400V 50Hz / OUT: 3Ph 400V 50H S&P VFD		Flexible Connectors (Each)		Outdoor Cover	
			Model	Trade Price	Model	Trade Price	Model	Trade Price	Model	Trade Price

CVAT-ND Fans with 3Ph 230/400V 50Hz motors

5137823700	CVAT/4-1400/250 ND	£478.31	-M10A	£489.25	-T5A	£565.47	ACOPEL 250/160N	£20.07	CTI CVA-N 250/315	£21.10
5137823800	CVAT/4-2000/315 ND	£541.11	-M10A	£489.25	-T5A	£565.47	ACOPEL 315/160N	£22.79	CTI CVA-N 250/315	£21.10
5137823900	CVAT/4-3000/355 ND	£746.96	-M10A	£489.25	-T5A	£565.47	ACOPEL 355/160N	£23.26	CTI CVA-N 355/400	£21.10
5137824000	CVAT/4-4000/400 ND	£822.54	-M10A	£489.25	-T5A	£565.47	ACOPEL 400/160N	£33.74	CTI CVA-N 355/400	£21.10
5137824100	CVAT/4-6000/450 ND	£919.73	-M10A	£489.25	-T5A	£565.47	ACOPEL 450/160N	£36.15	CTI CVA-N 450	£42.42
5137831300	CVAT/4-6000/500 ND	£1,070.51	-M10A	£489.25	-T5A	£565.47	ACOPEL 500/160N	£38.60	CTI CVA-N 355/400	£21.10
5137824200	CVAT/4-9000/500 ND	£1,114.98	-M10A	£489.25	-T5A	£565.47	ACOPEL 500/160N	£38.60	CTI CVA-N 500	£43.94
5137824300	CVAT/4-12000/560 ND	£1,152.27	-M16A	£596.37	-T5A	£565.47	ACOPEL 560/160N	£40.68	CTI CVA-N 560	£48.22
5137824400	CVAT/4-16000/630 ND	£1,872.15	-M16A	£596.37	-T6.8A	£613.88	ACOPEL 630/160N	£44.87	CTI CVA-N 630	£55.07

Three phase 6 pole

5137824500	CVAT/6-15000/710 ND	£2,066.60	-M10A	£596.37	-T5A	£565.47	ACOPEL 710/180N	£56.10	CTI CVA-N 710	£66.33
------------	---------------------	-----------	-------	---------	------	---------	-----------------	--------	---------------	--------



ALL THREE PHASE MODELS

Accessories when controlling
with a VFD

REB-CVF Off/On and speed control Preparation/Cook Switch	£121.96 £85.49
---	-------------------



ALL MODELS

AV mounts) set of 4)	Trade Price
KSE-45	£35.49



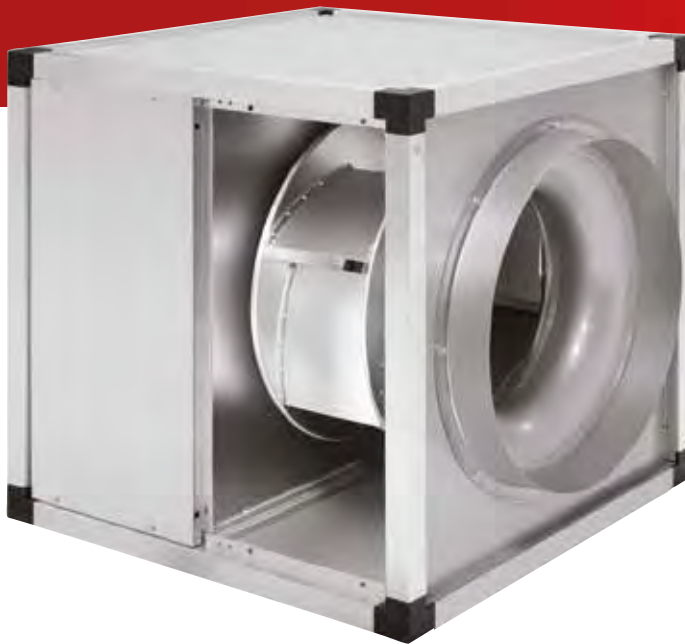


FOOD SERVICE

PROFESSIONAL KITCHEN VENTILATION EXTRACT PACKAGES



**KABT — Motor Out Of Airstream High Temperature Centrifugal Kitchen Fan
Including Variable Frequency Inverter Drive**



100°C
Continuous
Airstream
Temperatures

- 100°C continuous airstream temperatures
- 3 year warranty on all packages
- Unbeatable packaged prices
- Meets Part L SFPs < 1.0 W/L/S, EcoDesign Directive EU1253: 2018 and DW/172: 2018
- Package includes digital inverter speed control. Fully BMS & 0-10V signal compatible

Order Code	Airflow @ Pressure (m³/s @ Pa)	Model Reference	Inverter VFD 1Ph > 3Ph	Packaged Trade Price
KABT Pack 1	0.493 @ 250	KABT/4-3000/315	2.2kW 230V 10A Max	£1,341.41
KABT Pack 2	0.875 @ 250	KABT/4-4000/355	2.2kW 230V 10A Max	£1,405.72
KABT Pack 3	1.426 @ 250	KABT/4-6000/450	2.2kW 230V 10A Max	£1,598.69
KABT Pack 4	2.111 @ 250	KABT/4-9000/500	2.2kW 230V 10A Max	£1,813.54
KABT Pack 5	2.871 @ 250	KABT/4-12000/560	3.7kW 230V 16A Max	£2,229.51

Optional Accessories

Order Code	Model Reference	Trade Price
5401304100	REB-CVF 0 - 10V Controller	£121.96
L1000000681	Prep/Cook Switch	£85.49



- Suitable for all packages



Contact your local distributor for more information



PROFESSIONAL KITCHEN VENTILATION EXTRACT / SUPPLY PACKAGES

- 3 year warranty on all packages
- Unbeatable packaged prices
- Airflow: As axial, straight through or at 90° for maximum versatility
- Excellent performance combined with lowest sound levels in class - from just 60dBA @ 3m
- Meets Part L SFPs < 1.0 W/L/S, EcoDesign Directive EU1253: 2018 and DW/172: 2018
- Package includes digital inverter speed control. Fully BMS & 0-10V signal compatible

CVAT - Centrifugal Acoustic Kitchen Extract Fan & Variable Frequency Inverter Drive



Order Code	Airflow @ Pressure (m³/s @ Pa)	Model ref. / Duct Connection Diameter (mm)	Inverter VFD 1Ph > 3Ph	Packaged Trade Price
Single-phase input: 4 pole fan				
CVAT Pack 1	0.23 @ 150	CVAT/4-1400/250 ND	2.2kW 230V 10A Max	£719.07
CVAT Pack 2	0.35 @ 200	CVAT/4-2000/315 ND	2.2kW 230V 10A Max	£786.15
CVAT Pack 3	0.45 @ 250	CVAT/4-3000/355 ND	2.2kW 230V 10A Max	£955.12
CVAT Pack 4	0.86 @ 250	CVAT/4-4000/400 ND	2.2kW 230V 10A Max	£1,083.29
CVAT Pack 5	1.38 @ 250	CVAT/4-6000/450 ND	2.2kW 230V 10A Max	£1,144.74
CVAT Pack 6	1.38 @ 250	CVAT/4-6000/500 ND	2.2kW 230V 10A Max	£1,190.49
CVAT Pack 7	2.13 @ 250	CVAT/4-9000/500 ND	2.2kW 230V 10A Max	£1,365.31
CVAT Pack 8	3.00 @ 250	CVAT/4-12000/560 ND	3.7kW 230V 16A Max	£1,717.69
CVAT Pack 9	4.00 @ 250	CVAT/4-16000/630 ND	3.7kW 230V 16A Max	£2,253.08
Single-phase input: 6 pole				
CVAT Pack 10	3.50 @ 250	CVAT/6-15000/710 ND	2.2kW 230V 10A Max	£2,415.30

TCBTx2 Contrafoil - Contra-Rotating Cased Axial Fan & Variable Frequency Inverter Drive



Order Code	Airflow @ Pressure (m³/s @ Pa)	Model ref. / Duct Connection Diameter (mm)	Inverter VFD 1Ph > 3Ph	Packaged Trade Price
Single-phase input: 4 pole fan				
TCBTX2 Pack 1	1.77 @ 200	TCBTx2/4-450	2.2kW 230V 10A Max	£1,031.60
TCBTX2 Pack 2	2.24 @ 250	TCBTx2/4-500	2.2kW 230V 10A Max	£1,105.26
TCBTX2 Pack 3	3.65 @ 250	TCBTx2/4-560	3.7kW 230V 16A Max	£1,333.33
TCBTX2 Pack 4	4.42 @ 250	TCBTx2/4-630	3.7kW 230V 16A Max	£1,570.18

Optional Accessories

Order Code	Model Reference	Trade Price
5401304100	REB-CVF 0 - 10V Controller	£121.96
L1000000681	Prep/Cook Switch	£85.49



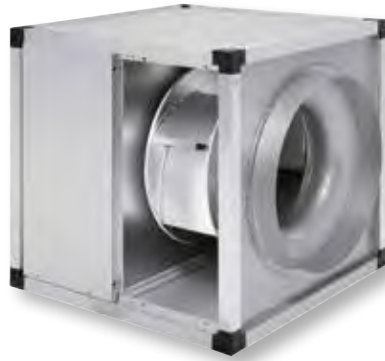
- Suitable for all packages

Contact your local distributor for more information

HIGH TEMPERATURE CENTRIFUGAL KITCHEN FANS

KABB / KABT series

Cabinet fans manufactured from galvanised steel sheet with double thickness side panels internally lined with 25 mm thickness of fireproof fibreglass acoustic insulation (M0). Circular duct connection flange on the inlet. **KABB / KABT incorporates direct-drive backward curved centrifugal impeller with motor out of air-stream.** Motor rated at IP55.



Motors

- From KABB/4-3000/315 to KABB/4-6000/450: Single-phase 4 pole 230V~50Hz, IP55, Class F with thermal protection. Speed controllable by auto-transformer.
- From KABT/4-3000/315 to KABT/4-9000/500: Three-phase 4 pole motor 230/400V~50Hz, IP55, Class F, with thermal protection, speed controllable by inverter.
- KABT/12000/560: Three phase four pole motor 400V ~50Hz, IP55, Class F, with thermal protection, speed controllable by inverter.

Additional information

Working temperature from -20°C to 100°C.

Specific applications



Backward curved centrifugal impellers
To prevent accumulation of dirt. Dynamically balanced.

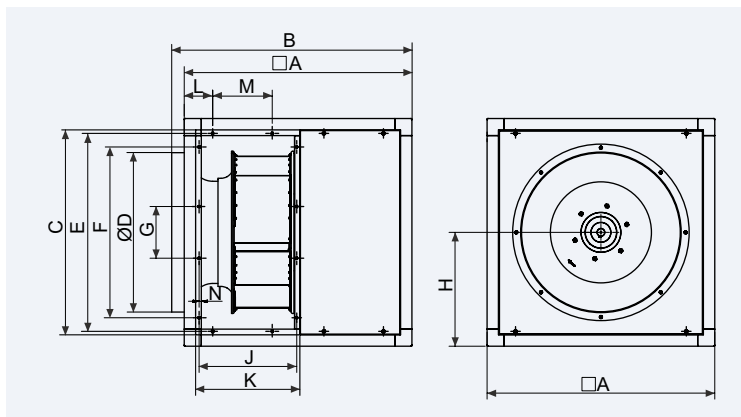


Robustness
Quality finished plastic corners and aluminium profile, provides a robust construction.



IP55 remote terminal box
To ease installation and connection to external controls.

DIMENSIONS (mm)



Model	A	B	C	D	E	F	G	H	J	K	L	M	N
KABB / T/4-3000/315	505	549	445	315	421	325	125	253	198	222	90	100	12
KABB / T/4-4000/355	550	592	490	355	466	370	170	275	222	245	60	100	12
KABB / T/4-6000/450	630	674	570	450	546	460	130	315	242	265	60	160	12
KABB / T/4-9000/500	710	753	630	500	606	510	190	355	271	294	100	206	8
KABB / T/4-12000/560	800	844	720	560	696	600	182	400	343	366	100	209	8

TECHNICAL DATA

Before installation check that the product electrical characteristics listed on the data plate label (voltage, power, frequency, etc.) match those of the intended electrical supply.

Model	Speed (r.p.m.)	Maximum absorbed power (W)	Maximum absorbed current (A)		Maximum airflow (m ³ /s)	Sound pressure level* (dB(A))			Weight (kg)	Speed Controller options Main supply		
			230V	400V		Inlet	Radiated	Outlet		1/230V/50Hz**	3/400V/50Hz	
SINGLE PHASE												
KABB/4-3000/315	1370	304	1.6		0.686	50	45	52	14	REV-3N		
KABB/4-4000/355	1385	487	2,0		1.053	53	45	55	21	REV-3N		
KABB/4-6000/450	1375	1023	4,3		1.605	58	49	61	32	REV-5N		
THREE PHASE												
KABT/4-3000/315	1430	327	1,2	0,7	0.758	52	46	53	14	S&P VFD-M10A	S&P VFD-T 5A	
KABT/4-4000/355	1450	560	2,1	1,2	1.112	55	46	56	21	S&P VFD-M10A	S&P VFD-T 5A	
KABT/4-6000/450	1490	1094	4,2	2,4	1.699	59	49	63	32	S&P VFD-M10A	S&P VFD-T 5A	
KABT/4-9000/500	1430	2022	6,1	3,5	2.456	67	54	68	46	S&P VFD-M10A	S&P VFD-T 5A	
KABT/4-12000/560	1430	2673	8,7	5	3.230	63	52	66	58	S&P VFD-M16A	S&P VFD-T 6.8A	

* Sound pressure level measured in free field at 4m.

** Only 230/400V motor.

PERFORMANCE DATA

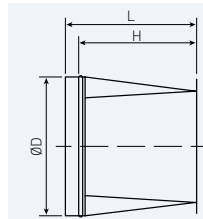
SINGLE PHASE	Airflow m ³ /s @ Static Pressure Pa													
	0	50	100	150	200	250	300	350	400	500	600	700	800	900
KABB/4-3000/315	0.686	0.637	0.584	0.521	0.454	0.402	0.342	0.193	0.053					
KABB/4-4000/355	1.053	0.996	0.939	0.883	0.824	0.755	0.672	0.580	0.482	0.023				
KABB/4-6000/450	1.605	1.542	1.477	1.410	1.340	1.265	1.182	1.089	0.975	0.724	0.423			
THREE PHASE														
KABT/4-3000/315	0.758	0.719	0.675	0.613	0.549	0.493	0.436	0.375	0.296	0.013				
KABT/4-4000/355	1.112	1.066	1.020	0.975	0.928	0.875	0.804	0.719	0.643	0.318				
KABT/4-6000/450	1.699	1.649	1.597	1.544	1.488	1.426	1.361	1.293	1.223	1.073	0.720	0.170		
KABT/4-9000/500	2.456	2.387	2.318	2.249	2.180	2.111	2.043	1.974	1.904	1.759	1.591	1.367	1.029	0.292
KABT/4-12000/560	3.230	3.161	3.091	3.020	2.947	2.871	2.791	2.707	2.618	2.426	2.196	1.878	1.635	1.359

MOUNTING ACCESSORIES



USD Circular coupling flange

To fit to the outlet.



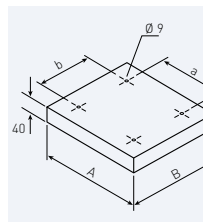
Model	Ø D	L	H
USD-3000	315	450	400
USD-4000	355	450	400
USD-6000	400	450	400
USD-9000	500	450	400
USD-12000	560	450	400

For rectangular dimensions see fan outlet



CTI KABT Outdoor cover

For outdoor installations.

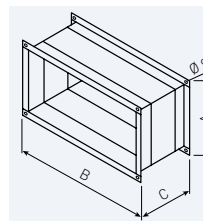


Model	A	B	a	b
CTI KABT-3000	535	535	352,2	420,7
CTI KABT-4000	580	580	370	465,5
CTI KABT-6000	660	660	450	545,5
CTI KABT-9000	740	740	510	605,5
CTI KABT-12000	830	830	600	695,5



ACOP RECT KABT Rectangular elastic coupling

To fit to the outlet.
Avoids transmission of vibrations.



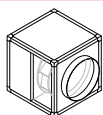
Model	A	B	C
ACOP RECT KABT-3000	220	443	143
ACOP RECT KABT-4000	243	488	143
ACOP RECT KABT-6000	264	568	143
ACOP RECT KABT-9000	292	628	143
ACOP RECT KABT-12000	364	718	143



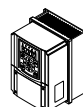
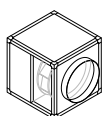
KSE Vibration damping supports

Rubber vibration damping supports that reduce vibrations and attenuate the noise of the installation.
(1 KSE = 4 supports in a bag).

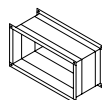
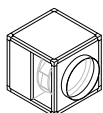
KABB/KABT Acoustic Centrifugal Kitchen Extract Fan Prices



Code	Model	Trade Price	Auto transformer speed controller	Trade Price	Code	Rect to Circular Coupling Flange	Trade Price
SINGLE PHASE 4 POLE							
5148518300	KABB/4 3000/315	£1,313.74	REV-3N	£388.33	5416773800	USD-3000	£127.99
5148518400	KABB/4 4000/355	£1,423.22	REV-3N	£388.33	5416773900	USD-4000	£139.66
5148518500	KABB/4 6000/450	£1,531.46	REV-5N	£468.42	5416774000	USD-6000	£151.27



Code	Model	Trade Price	Inverter S&P VFD 230V~ 1Ph Input: 230V~ 3Ph Output	Trade Price	Inverter S&P VFD 400V~ 3Ph IN/OUT	Trade Price	Code	Rect to Circular Coupling Flange	Trade Price
THREE PHASE 4 POLE									
5148518700	KABT/4 3000/315 0,25KW 230/400V	£1,037.92	VFD-M10A	£489.25	VFD-T5A	£565.47	5416773800	USD-3000	£127.99
5148518800	KABT/4 4000/355 0,5KW 230/400V	£1,098.14	VFD-M10A	£489.25	VFD-T5A	£565.47	5416773900	USD-4000	£139.66
5148518900	KABT/4-6000/450 1.1KW 230/400V	£1,278.83	VFD-M10A	£489.25	VFD-T5A	£565.47	5416774000	USD-6000	£151.27
5148519000	KABT/4 9000/500 1,5KW 230/400V	£1,480.01	VFD-M10A	£489.25	VFD-T5A	£565.47	5416778700	USD-9000	£171.74
5148571300	KABT/4 12000/560 2,2KW 230/400V	£1,869.52	VFD-M16A	£596.37	VFD-T6.8A	£613.88	5416774100	USD-12000	£189.40



Code	Model	Code	Rect Flexible Coupling (2xMezz Flange + HT Flex)	Trade Price	Code	Outdoor Cover / Hood	Trade Price
SINGLE PHASE 4 POLE							
5148518300	KABB/4-3000/315	5780184405	ACOP-RECT-KABT 3000	£72.07	5416733700	CTI KABT 3000	£28.46
5148518400	KABB/4-4000/355	5780184512	ACOP-RECT-KABT 4000	£74.31	5416733800	CTI KABT 4000	£33.04
5148518500	KABB/4-6000/450	5780184619	ACOP-RECT-KABT 6000	£82.17	5416733900	CTI KABT 6000	£39.57
THREE PHASE 4 POLE							
5148518700	KABT/4-3000/315 0,25KW 230/400V	5780184405	ACOP-RECT-KABT 3000	£72.07	5416733700	CTI KABT 3000	£28.46
5148518800	KABT/4-4000/355 0,5KW 230/400V	5780184512	ACOP-RECT-KABT 4000	£74.31	5416733800	CTI KABT 4000	£33.04
5148518900	KABT/4-6000/450 1,1KW 230/400V	5780184619	ACOP-RECT-KABT 6000	£82.17	5416733900	CTI KABT 6000	£39.57
5148519000	KABT/4-9000/500 1,5KW 230/400V	5780191360	ACOP-RECT-KABT 9000	£86.14	5416734100	CTI KABT 9000	£47.11
5148571300	KABT/4-12000/560 2,2KW 230/400V	5780184726	ACOP-RECT-KABT 12000	£90.13	5416734000	CTI KABT 12000	£54.67

ALL THREE-PHASE MODELS
WHERE CONTROLLED BY A VFD



Speed Controller	Trade Price
REB-CVF 0-10V	£121.96



A close-up, vertical view of a circular metal mesh. The mesh is composed of concentric rings of diamond-shaped openings. In the center, there is a logo consisting of a stylized 'S' and 'P' intertwined. The lighting is dramatic, with a bright highlight on the left edge of the mesh, creating a strong contrast against the dark background.

ATTENTION TO DETAIL.

With S&P's range, resources and services, you can reduce costs, save time and eliminate delays.

Get help with specifying.

Have a question?
Speak to an S&P Product Selector Specialist.

Call us on 0845 4700074

ROOF MOUNTED MIXED FLOW FANS

TH-MIXVENT series TH-ATEX series

TH-MIXVENT

Range of roof mounted mixed flow fans supplied as standard for extract operation. The models 500 and 800 are manufactured from high strength injection moulded plastic, and models 1300 and 2000 from high grade pressed sheet steel. The bases are manufactured from sheet steel. The cowls are manufactured from pressed sheet steel (500 and 800 models) or spun aluminium (1200 and 2000).

All models incorporate a bird guard and base cable gland entry point as standard. All metallic parts are protected with a black epoxy-polyester weatherproof paint coating.

The motor and impeller casing can be easily removed by 2 fixing clamps.

Motors

All motors are IP44, Class B, equipped with thermal protection and ball bearings, greased for life.

Electrical supply:

Single phase 230V-50Hz (Capacitor located inside the wiring terminal box).

All models have three speed motors and are suitable for voltage speed control using electronic or auto-transformer controllers.

Additional Information

The motor and impeller casing can be removed and turned through 180° to provide supply air ventilation.

TH-ATEX

Range of roof mounted mixed flow fans, specially designed for the extraction of potentially hazardous and explosive gases, manufactured from sheet steel protected with black polyester paint coating (except TH-800/200 manufactured from plastic to prevent retention of static electricity, base and cap manufactured from sheet steel protected with black polyester paint coating). Bird-proof guard. Detachable fan unit without disconnecting duct connections.

Not suitable for speed control

Motors

- Single phase 230V-50Hz.
- IP44, Class B.
- IP44, Class B.
- Increased safety Ⓜ II2G EExllT3 Gb
For models 250 and 315:
EC nr. LOM 11ATEX2021 X, Supplement 1.
- Increased safety Ⓜ II2G EExllT3
For model 800: EC nr. LOM 08ATEX2052 X,
Supplement 2.



TH-MIXVENT

TH-ATEX



Industrial



Workshop



Commercial



Agricultural



Horticultural



Spray booths



Air conditioning



Flame retardant terminal box

Very accessible wiring terminal box in flame retardant plastic V0, with capacitor located inside.



Circular spigot coupling

Circular spigot coupling to facilitate the connection of circular, rigid or flexible ducting.



Bird-proof guard



IP55, external terminal box

External terminal box, easy access, IP55, flame-retardant plastic V0.



ATEX capacitor

TECHNICAL DATA TH-MIXVENT

Before installation check that the product electrical characteristics listed on the data plate label (Voltage, power, frequency, etc.) match those of the intended electrical supply.

Model		Speed (r.p.m.)		Maximum absorbed power (W)		Maximum absorbed current (A)		Maximum air volume (m ³ /s)		Max. temp. (°C)	Sound pressure level at 3m (dB(A))	Weight (Kg)
		High speed	Low speed	High speed	Low speed	High speed	Low speed	High speed	Low speed			
TH-500/150	EXTRACT	2450	1800	50	45	0.23	0.18	0.130	0.098	-20/+60	49.5	3.8
	SUPPLY	2450	1800	50	45	0.23	0.18	0.141	0.105		45	3.8
TH-500/160	EXTRACT	2450	1800	50	45	0.23	0.18	0.130	0.098	-20/+60	49.5	3.8
	SUPPLY	2450	1800	50	45	0.23	0.18	0.141	0.105		45	3.8
TH-800N	EXTRACT	2500	2100	90	75	0.40	0.31	0.218	0.175	-20/+60	50	5.6
	SUPPLY	2500	2050	90	75	0.40	0.31	0.245	0.193		48	5.6
TH-800	EXTRACT	2500	2100	120	118	0.52	0.50	0.212	0.172	-20/+60	53	5.6
	SUPPLY	2500	2000	120	118	0.52	0.50	0.239	0.193		52	5.6
TH-1300	EXTRACT	2400	1800	170	120	0.83	0.52	0.308	0.216	-40/+60	59.5	11.2
	SUPPLY	2400	1800	172	110	0.76	0.49	0.321	0.234		58.5	11.2
TH-2000	EXTRACT	2480	1750	255	160	1.27	0.79	0.478	0.333	-40/+60	67	17.2
	SUPPLY	2480	1800	300	190	1.27	0.79	0.477	0.345		63.5	17.2

PERFORMANCE DATA TH-MIXVENT

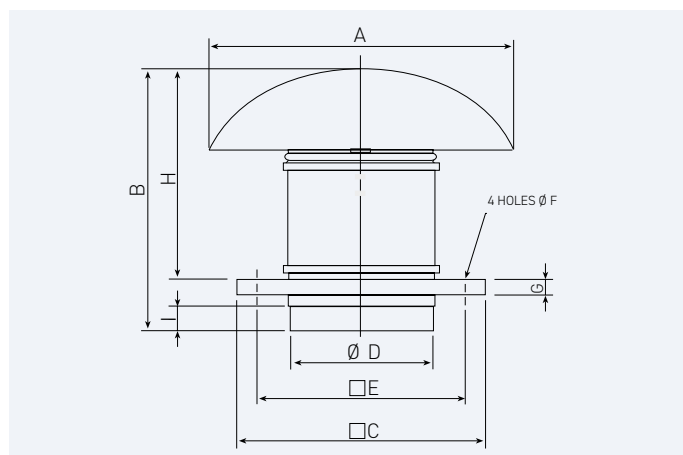
Airflow m³/s @ Static Pressure Pa

Model	0	25	50	75	100	125	150	175	200	250	300	350	400	450	500	550
SINGLE PHASE																
TH-500/150-EXTRACT	0.130	0.126	0.121	0.115	0.109	0.101	0.091	0.079								
TH-500/150-SUPPLY	0.141	0.136	0.131	0.126	0.120	0.113	0.103	0.091								
TH-500/160-EXTRACT	0.130	0.126	0.121	0.115	0.109	0.101	0.091	0.079								
TH-500/160-SUPPLY	0.141	0.136	0.131	0.126	0.120	0.113	0.103	0.091								
TH-800/200-N-EXTRACT	0.218	0.208	0.197	0.184	0.167	0.145	0.106									
TH-800/200-N-SUPPLY	0.245	0.236	0.228	0.218	0.206	0.192	0.174									
TH-800/200-EXTRACT	0.212	0.208	0.203	0.198	0.193	0.188	0.182	0.175	0.165	0.132						
TH-800/200-SUPPLY	0.239	0.234	0.228	0.223	0.217	0.211	0.205	0.198	0.191	0.175						
TH-1300/250-EXTRACT	0.308	0.299	0.289	0.280	0.269	0.256	0.240	0.222	0.199	0.151	0.125	0.098	0.072	0.048		
TH-1300/250-SUPPLY	0.321	0.311	0.301	0.290	0.279	0.267	0.253	0.238	0.222	0.182	0.137					
TH-2000/315-EXTRACT	0.478	0.465	0.452	0.439	0.424	0.409	0.393	0.375	0.357	0.319	0.264	0.224	0.198	0.175	0.151	0.127
TH-2000/315-SUPPLY	0.477	0.464	0.451	0.437	0.423	0.409	0.394	0.378	0.361	0.325	0.290	0.255				

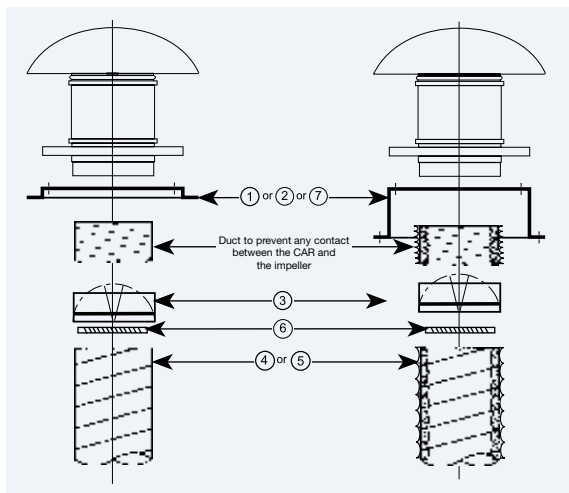
PERFORMANCE DATA TH-ATEX

TH-800/200 ATEX	0.222	0.212	0.201	0.190	0.175	0.146	0.122	0.103	0.083	0.036						
TH-1100/250 ATEX	0.268	0.257	0.247	0.236	0.225	0.212	0.198	0.179	0.154	0.105	0.078	0.061				
TH-1200/315 ATEX	0.323	0.310	0.298	0.285	0.271	0.256	0.239	0.217	0.194	0.164	0.141	0.114				

DIMENSIONS (mm)



Model	ØA	B	C	D	E	F	G	H	I
TH-500/150	400	349	300	150	245	10	20	274	33
TH-500/160	400	339	300	160	245	10	20	274	33
TH-800 N	400	371	300	198	245	10	20	306	36
TH-800	400	371	300	198	245	10	20	306	36
TH-1300	546	457	435	248	330	12	20	372	42
TH-2000	735	544	560	312	450	12	20	450	50
TH-800 /200 EX	400	371	300	198	245	10	20	306	36
TH-1100/250 EX	546	457	435	248	330	12	20	372	42
TH-1200/315 EX	735	544	560	312	450	12	20	450	50



Model	① Sealing frame	② Flat roof upstand	③ Backdraft shutter	④ Flexible ducting	⑤ Flexible acoustic ducting	⑥ Worm drive clips	⑦ Support base for curb mounted installations
TH-500/150	JMS-300	JBS-300	CAR-150	GSA-150	GSI-160	CX-215	BI-3
TH-500/160	JMS-300	JBS-300	CAR-160	GSA-160	GSI-160	CX-215	BI-3
TH-800 N	JMS-300	JBS-300	CAR-200	GSA-200	GSI-200	CX-250	BI-3
TH-800	JMS-300	JBS-300	CAR-200	GSA-200	GSI-200	CX-250	BI-3
TH-1300	JMS-435	JBS-435	CAR-250	GSA-250	GSI-250	CX-315	BI-4
TH-2000	JMS-560	JBS-560	CAR-315	GSA-315	GSI-315	CX-315	BI-5

MOUNTING ACCESSORIES



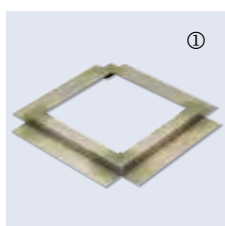
CAR
Backdraft shutter.



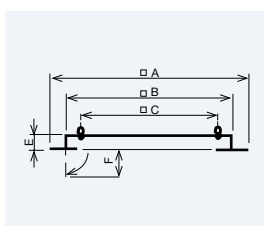
SIL
Sound attenuator.



CX
Worm drive clips.



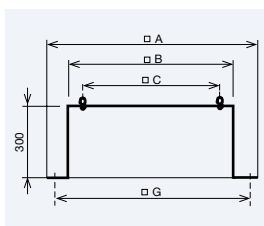
JMS
Sealing frame
- For mounting the roof fans on an up stand or base.
- Provided with screws and gasket for a complete seal.



Model	A	B	C	E	F
JMS-300	470	290	245	50	70
JMS-435	600	420	330	50	70
JMS-560	725	545	450	50	70



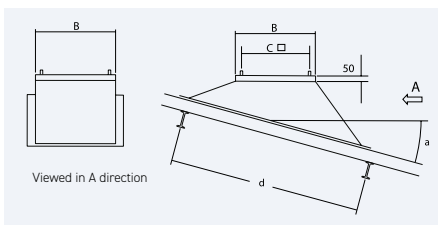
JBS
Flat roof up stand
- For mounting fans on flat roofs with no up stands.
- Internal insulation to avoid condensation.
- Provided with screws and gasket for a complete seal.



Model	A	B	C	E	G
JBS-300	470	289	245	300	380
JBS-435	600	419	330	300	510
JBS-560	725	544	450	300	635



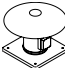
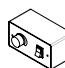



BI
Support base for inclined curb mounted installations
- To ensure the proper installation of the BI product it is essential to specify the roof pitch angle and the distance between the roof beam profiles (as shown).



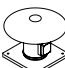

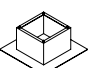
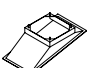
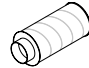

Model	B	C
BI-3	289	245
BI-4	419	330
BI-5	544	450

d: distance between the roof beam profiles
a: roof pitch angle (curb)

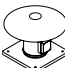
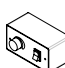
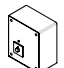


TH-MIXVENT ROOF MOUNTED MIXED FLOW FAN PRICES


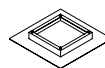
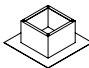
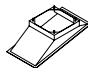
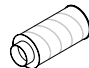

										
Code	Model	Trade Price	Electronic Speed Controller	Trade Price	Transformer Speed Controller	Trade Price	B/D Shutter	Trade Price	Fast Clamp	Trade Price
5220004500	TH-500/150	£242.18	REB-1	£64.08	RRB-100	£388.33	CAR-150	£36.83	ACOP-VENT 150	£18.23
5220005200	TH-500/160	£242.18	REB-1	£64.08	RRB-100	£388.33	CAR-160	£36.83	ACOP-VENT 160	£18.23
5220007800	TH-800N/200	£290.23	REB-1	£64.08	RMB-1.5	£388.33	CAR-200	£40.39	ACOP-VENT 200	£19.65
5220001100	TH-800/200	£290.23	REB-1	£64.08	RMB-1.5	£388.33	CAR-200	£40.39	ACOP-VENT 200	£19.65
5220002900	TH-1300/250	£487.33	REB-1	£64.08	RMB-1.5	£388.33	CAR-250	£50.89	ACOP-VENT 250	£21.30
5220003700	TH-2000/315	£586.75	REB-3	£78.64	RMB-1.5	£388.33	CAR-315	£65.27	ACOP-VENT 315	£22.05

TH only. TH-ATEX models not suitable for speed control

											
Code	Model	Sealing Frame	Trade Price	Upstand	Trade Price	Inclined Curb	Trade Price	Silencer	Trade Price	Filter Box G4	Trade Price
5220004500	TH-500/150	JMS-300	£125.73	JBS-300	£119.18	BI-3 support base	£573.25	SIL-150	£142.23	MFL-150	£95.01
5220005200	TH-500/160	JMS-300	£125.73	JBS-300	£119.18	BI-3 support base	£573.25	SIL-160	£142.23	MFL-160	£95.01
5220007800	TH-800N/200	JMS-300	£125.73	JBS-300	£119.18	BI-3 support base	£573.25	SIL-200	£176.67	MFL-200	£101.54
5220001100	TH-800/200	JMS-300	£125.73	JBS-300	£119.18	BI-3 support base	£573.25	SIL-200	£176.67	MFL-200	£101.54
5220002900	TH-1300/250	JMS-435	£136.53	JBS-435	£127.16	BI-4 support base	£609.19	SIL-250	£210.03	MFL-250	£142.60
5220003700	TH-2000/315	JMS-560	£179.51	JBS-560	£234.09	BI-5 support base	£638.00	SIL-315	£288.98	MFL-315	£166.33

TH-ATEX ROOF MOUNTED MIXED FLOW FAN PRICES

										
Code	Model	Trade Price	Electronic Speed Controller	Trade Price	Transformer Speed Controller	Trade Price	B/D Shutter	Trade Price	Fast Clamp	Trade Price
5220023800	TH-800/200 EX	£605.70	N/A	N/A	N/A	N/A	CAR-200	£40.39	ACOP-VENT 200	£19.65
5220025000	TH-1100/250 EX	£1,088.48	N/A	N/A	N/A	N/A	CAR-250	£50.89	ACOP-VENT 250	£21.30
5211997000	TH-1200/315 EX	£1,296.29	N/A	N/A	N/A	N/A	CAR-315	£65.27	ACOP-VENT 315	£22.05

											
Code	Model	Sealing Frame	Trade Price	Upstand	Trade Price	Inclined Curb	Trade Price	Silencer	Trade Price	Filter Box G4	Trade Price
5220023800	TH-800/200 EX	JMS-300	£125.73	JBS-300	£119.18	BI-3 support base	£573.25	SIL-200	£176.67	MFL-200	£101.54
5220025000	TH-1100/250 EX	JMS-435	£136.53	JBS-435	£127.16	BI-4 support base	£609.19	SIL-250	£210.03	MFL-250	£142.60
5211997000	TH-1200/315 EX	JMS-560	£179.51	JBS-560	£234.09	BI-5 support base	£638.00	SIL-315	£288.98	MFL-315	£166.33

COMPACT ROOF MOUNTED AXIAL FANS

HORIZONTAL & VERTICAL DISCHARGE



COMPACT AXIAL ROOF FANS (Horizontal Discharge)

A range of low profile horizontal discharge axial flow industrial roof fans incorporating the COMPACT axial plate fan range, with die cast aluminium aerofoil section impeller & IP55 or IP65 motors and terminal box.

Cowl and roof mounting base are moulded from fire retardant and chemical resistant, high impact GRP to provide a rigid profile against strong winds with excellent UV stability. Standard colour: Goosewing Grey (Any BS or RAL colour reference can be matched and manufactured to order at additional cost).

Suitable for mounting on flat or inclined roofs (max. angle 30°) and designed for either kerb or purlin box mounting. S&P Axial Roof fans are available in eleven sizes with extract performances up to 8.5 m³/s and pressure characteristics of up to 300Pa. Speed controllable.

AIR OPERATED SHUTTERS & BIRD GUARDS

The shutters are fitted beneath the cowl using fixings provided. Shutters should not be used when the fan is running as a supply air unit and must be fitted with the hinge vertically or in line with the roof incline.

Bird Guards are fitted as standard between the roof cowl and the base.



COMPACT AXIAL ROOF FANS (Vertical Discharge)

A range of straight-through vertical discharge axial flow industrial roof fans incorporating the COMPACT axial plate fan range, with die cast aluminium aerofoil section impeller & IP65 motor and terminal box.

Cowl and roof mounting base are moulded from fire retardant and chemical resistant, high impact GRP to provide a rigid profile against strong winds with excellent UV stability.

Standard colour: Goosewing Grey (Any BS or RAL colour reference can be matched and manufactured to order at additional cost)

Suitable for mounting on flat or inclined roofs (max. angle 3°) and designed for either kerb or purlin box mounting. S&P Axial Roof fans are available in nine sizes with extract performances up to 6.65 m³/s and pressure characteristics of up to 150Pa. Speed controllable.

AIR OPERATED SHUTTERS

The shutters are fitted to the cowl as standard.

MOTORS

Motors are specially designed for efficient performance with this range of fan. Motor ballrace bearings are greased for life with high temperature grease. Rotors are dynamically balanced to ISO 1940. Sizes 250-1000mm, motors are protected to IP55 or IP65, against dust and moisture complying with BS EN 60529:1992. The motors have ribbed aluminium body castings for efficient cooling. Motor insulation is Class 'F' (from -40°C to +70°C).

ELECTRICAL

Single phase 230V~50Hz. Capacitor start and run. Three phase 400V~50Hz. IP55 or IP65 terminal boxes are fitted and supplied with 20mm and PG11 cable gland entry points. All motors have thermal overload protection (Designated TP connections in terminal box) which should be wired into all controller circuits and into starter contactors. Models are available with 4 pole motors.

ACCESSORIES

A full range of accessories is available:

- Electronic Speed Controllers
- Auto Transformer Speed Controllers
- D.O.L. Starters (three-phase only)
- Purlin Boxes
- Shutters
- Soaker sheets (Profile identification on request)



HCBB/T HORIZONTAL DISCHARGE AXIAL ROOF FAN PERFORMANCE DATA

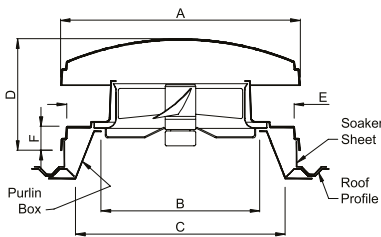
Airflow m³/s @ Static Pressure Pa

Model	0	25	50	75	100	125	150	175	200	225	250	300
SINGLE PHASE 4 POLE												
HCBB/4-250/H	0.243	0.150										
HCBB/4-315/H	0.539	0.430	0.345									
HCBB/4-355/H	0.631	0.540	0.489									
HCBB/4-400/H	0.993	0.894	0.783	0.692	0.588							
HCBB/4-450/H	1.221	1.141	1.054	0.960	0.823							
HCBB/4-500/H	1.835	1.730	1.618	1.516	1.406	1.318	1.230					
HCBB/4-560/H	2.214	2.133	2.004	1.898	1.786							
HCBB/4-630/H	3.548	3.370	3.195	3.028	2.863	2.722	2.582	2.317	2.000			
THREE PHASE 4 POLE												
HCBT/4-250/H	0.238	0.129										
HCBT/4-315/H	0.545	0.431	0.364									
HCBT/4-355/H	0.652	0.565	0.489									
HCBT/4-400/H	1.019	0.893	0.782	0.711	0.610							
HCBT/4-450/H	1.265	1.189	1.120	1.033	0.946							
HCBT/4-500/H	1.962	1.835	1.714	1.593	1.515	1.426	1.338					
HCBT/4-560/H	2.308	2.217	2.106	1.976	1.868	1.566	1.398					
HCBT/4-630/H	3.881	3.736	3.591	3.433	3.276	3.148	3.028	2.749	2.438			
HCBT/4-710/H	4.322	4.181	4.040	3.897	3.747	3.560	3.383	2.957				
HCBT/4-800/HX	6.650	6.300	6.100	5.820	5.650	5.400	5.070	4.740	4.365	4.000	3.630	
HCBT/4-1000/LX	8.570	8.250	7.920	7.600	7.280	7.000	6.690	6.330	5.700	5.520	5.070	4.065

HCBB/T VERTICAL DISCHARGE AXIAL ROOF FAN PERFORMANCE DATA

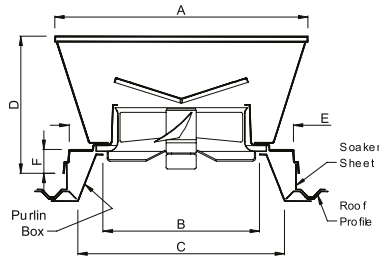
Airflow m³/s @ Static Pressure Pa

Model	0	25	50	75	100	150
SINGLE PHASE 4 POLE						
HCBB/4-315/H	0.583	0.490	0.382			
HCBB/4-355/H	0.626	0.540	0.442			
HCBB/4-400/H	1.280	1.136	1.005	0.808		
HCBB/4-450/H	1.414	1.334	1.227	1.132		
HCBB/4-500/H	2.136	2.032	1.926	1.798	1.685	1.499
HCBB/4-560/H	2.201	2.097	1.996	1.883	1.730	
HCBB/4-630/H	3.429	3.251	3.010	2.816	2.622	2.173
THREE PHASE 4 POLE						
HCBT/4-315/H	0.596	0.513	0.416			
HCBT/4-355/H	0.634	0.563	0.479			
HCBT/4-400/H	1.283	1.192	1.082	0.952		
HCBT/4-450/H	1.374	1.276	1.165	1.069		
HCBT/4-500/H	2.185	2.088	1.975	1.870	1.759	1.559
HCBT/4-560/H	2.298	2.191	2.058	1.893		
HCBT/4-630/H	3.306	3.122	2.950	2.761	2.582	2.208
HCBT/4-710/H	4.322	4.181	4.040	3.897	3.747	3.560
HCBT/4-800/HX	6.650	6.300	6.100	5.820	5.650	5.400



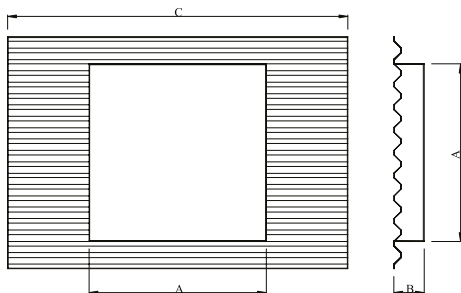
ROOF COWLS (LOW PROFILE) HORIZONTAL DISCHARGE DIMENSIONS

FAN UNIT SIZE	A	B	C	D	E	F	WEIGHT
250	490	310	480	270	460	100	4.2kg
315	555	350	515	340	520	100	6.5kg
350	675	400	680	380	660	100	8.5kg
400	765	510	780	460	755	100	12kg
450	765	510	780	460	755	100	12kg
500	995	620	910	550	920	110	21kg
560	995	620	910	550	920	110	21kg
630	1115	780	950	650	1010	110	27kg
710	1115	780	950	650	1010	110	27kg
800	1410	910	1150	750	1125	110	34kg
1000	1630	1140	1390	900	1370	110	45kg



ROOF COWLS VERTICAL DISCHARGE DIMENSIONS

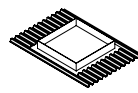
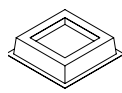
FAN UNIT SIZE	A	B	C	D	E	F	WEIGHT
315	690	400	680	475	520	100	8.5kg
350	690	400	680	475	660	100	8.5kg
400	790	510	780	585	755	100	12kg
450	790	510	780	585	755	100	12kg
500	950	620	910	700	920	110	21kg
560	950	620	910	700	920	110	21kg
630	1030	780	950	800	1010	110	27kg
710	1030	780	950	800	1010	110	27kg
800	1120	1090	1150	760	1110	110	32kg



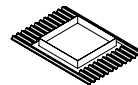
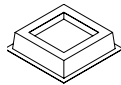
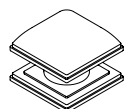
SOAKER SHEET

UNIT ROOF COWL SIZE	A	B	C
200/250	440	150	1800
300/315	510	150	1800
350	640	150	1800
400/450	750	150	1800
500/560	890	150	1800
630/710	1000	150	1800
800	1130	150	1800
1000	1370	150	1800

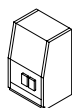
HORIZONTAL DISCHARGE ROOF UNIT (FOR USE WITH COMPACT AXIAL FANS) PRICES



Code	Fan Model	Trade Price	Horizontal Discharge Roof Cowls	Trade Price (inc. Bird-guard)	Back Draught Shutter	Trade Price	Purlin Box	Trade Price	Soaker Sheet	Trade Price	Electronic Speed Controller	Trade Price	Transformer Speed Controller	Trade Price
SINGLE PHASE 4 POLE *230V 50*														
5603889600	HCBB/4-250/H *230V 50*	£196.71	200/250 H	£342.41	200/250	£82.52	200/250	£143.89	200/250	£458.28	REB-1	£64.08	REV-3N	£388.33
5603638200	HCBB/4-315/H *230V 50*	£222.94	300/315 H	£352.69	300/315	£85.01	300/315	£148.20	300/350	£500.77	REB-1	£64.08	REV-3N	£388.33
5603638900	HCBB/4-355/H *230V 50*	£251.36	350 H	£352.69	350	£85.01	350	£148.20	350	£486.18	REB-3	£78.64	REV-3N	£388.33
5603139100	HCBB/4-400/H *230V 50*	£292.89	400/450 H	£439.57	400/450	£87.21	400/450	£154.59	400/450	£519.88	REB-3	£78.64	REV-3N	£468.42
5603999400	HCBB/4-450/H *230V 50*	£332.23	400/450 H	£439.57	400/450	£87.21	400/450	£154.59	400/450	£519.88	REB-3	£78.64	REV-5N	£468.42
5603255000	HCBB/4-500/H *230V 50*	£393.43	500/560 H	£514.76	500/560	£110.37	500/560	£184.84	500/560	£519.88	REB-5	£106.79	REV-5N	£468.42
5603640400	HCBB/4-560/H *230V 50*	£596.30	500/560 H	£514.76	500/560	£110.37	500/560	£184.84	500/560	£519.88	REB-8	£211.08	REV-7N	£489.02
5603641100	HCBB/4-630/H *230V 50*	£664.88	630/710 H	£634.39	630/710	£120.50	630/710	£277.70	630/710	£519.88				



Code	Fan Model	Trade Price	Horizontal Discharge Roof Cowls	Trade Price (inc. Birdguard)	Back Draught Shutter	Trade Price	Purlin Box	Trade Price	Soaker Sheet	Trade Price	Inverter S&P VFD IP65 1Ph input/3Ph output.*	Trade Price	Inverter S&P VFD IP65 3Ph input/3Ph output	Trade Price
THREE PHASE 4 POLE *230/400V 50*														
5603957100	HCBT/4-250/H	£196.72	200/250 H	£342.41	200/250	£82.52	200/250	£143.89	200/250	£458.28	S&P VFD-M10A	£489.25	S&P VFD-T5A	£565.47
5603643000	HCBT/4-315/H	£216.37	300/315 H	£352.69	300/315	£85.01	300/315	£148.20	300/350	£500.77	S&P VFD-M10A	£489.25	S&P VFD-T5A	£565.47
5603643900	HCBT/4-355/H	£242.62	350 H	£352.69	350	£85.01	350	£148.20	350	£486.18	S&P VFD-M10A	£489.25	S&P VFD-T5A	£565.47
5603546300	HCBT/4-400/H	£264.46	400/450 H	£439.57	400/450	£87.21	400/450	£154.59	400/450	£519.88	S&P VFD-M10A	£489.25	S&P VFD-T5A	£565.47
5603557900	HCBT/4-450/H	£303.81	400/450 H	£439.57	400/450	£87.21	400/450	£154.59	400/450	£519.88	S&P VFD-M10A	£489.25	S&P VFD-T5A	£565.47
5603053900	HCBT/4-500/H	£349.71	500/560 H	£514.76	500/560	£110.37	500/560	£184.84	500/560	£519.88	S&P VFD-M10A	£489.25	S&P VFD-T5A	£565.47
5603644500	HCBT/4-560/H	£463.40	500/560 H	£514.76	500/560	£110.37	500/560	£184.84	500/560	£519.88	S&P VFD-M10A	£489.25	S&P VFD-T5A	£565.47
5603645200	HCBT/4-630/H	£629.46	630/710 H	£634.39	630/710	£120.50	630/710	£277.70	630/710	£519.88	S&P VFD-M10A	£489.25	S&P VFD-T5A	£565.47
5603913400	HCBT/4-710/H	£1,073.14	630/710 H	£634.39	630/710	£120.50	630/710	£277.70	630/710	£519.88	S&P VFD-M10A	£489.25	S&P VFD-T68A	£613.88
5604383900	HCBT/4-800/LX (1.5KW)	£701.91	800 H	£935.46	800	£145.80	800	£326.16	800	£581.04	S&P VFD-M10A	£489.25	S&P VFD-T5A	£565.47
5604385400	HCBT/4-800/HX (3.0KW)	£1,139.85	800 H	£935.46	800	£145.80	800	£326.16	800	£581.04	S&P VFD-M16A	£596.37	S&P VFD-T9A	£701.43
5604377100	HCBT/4-1000/LX (3.0KW)	£1,235.58	1000 H	£1,142.97	1000	£166.99	1000	£362.96	1000	£564.12			S&P VFD-T9A	£701.43
5111935200	HCBT/4-1000/HX (7.5KW)	£1,546.06	1000 H	£1,142.97	1000	£166.99	1000	£362.96	1000	£564.12			S&P VFD-T17A	£1,011.46

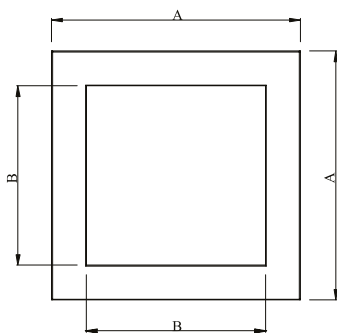


ALL THREE PHASE MODELS

DOL Starter	Trade Price
MSD 0-25A	£227.62

ALL MODELS

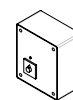
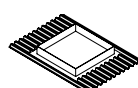
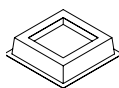
Purlin Trimmers	Trade Price
SPPT	£133.29



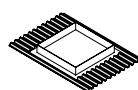
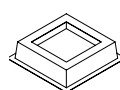
TIMBER KERB/UPSTAND DETAILS

UNIT SIZE	A	B	SUGGESTED MIN. KERB - MM
250	425	275	75
315	500	350	75
350	590	390	100
400	700	450	125
450	700	500	100
500	870	570	150
560	870	620	125
630	990	690	150
710	990	790	100
800	1090	890	100
1000	1325	1075	125

VERTICAL DISCHARGE ROOF UNIT (FOR USE WITH COMPACT AXIAL FANS) PRICES



Code	Fan Model	Trade Price	Vertical Discharge Roof Cowl	Trade Price inc. B/D Shutter	Purlin Box	Trade Price	Soaker Sheet	Trade Price	Electronic Speed Controller	Trade Price	Transformer Speed Controller	Trade Price
SINGLE PHASE 4 POLE *230V 50*												
5603638200	HCBB/4-315/H *230V 50*	£222.94	315/350 V	£417.63	300/315	£148.20	300/350	£500.77	REB-1	£64.08	REV-3N	£388.33
5603638900	HCBB/4-355/H *230V 50*	£251.36	315/350 V	£417.63	350	£148.20	350	£510.02	REB-3	£78.64	REV-3N	£388.33
5603139100	HCBB/4-400/H *230V 50*	£292.89	400/450 V	£560.95	400/450	£154.59	400/450	£519.88	REB-3	£78.64	REV-3N	£468.42
5603999400	HCBB/4-450/H *230V 50*	£332.23	400/450 V	£560.95	400/450	£154.59	400/450	£519.88	REB-3	£78.64	REV-5N	£468.42
5603255000	HCBB/4-500/H *230V 50*	£393.43	500/560 V	£710.66	500/560	£184.84	500/560	£519.88	REB-5	£106.79	REV-7N	£489.02
5603640400	HCBB/4-560/H *230V 50*	£596.30	500/560 V	£710.66	500/560	£184.84	500/560	£519.88	REB-8	£211.08	REV-7N	£489.02
5603641100	HCBB/4-630/H *230V 50*	£664.88	630/710 V	£790.76	630/710	£277.70	630/710	£519.88				



Code	Fan Model	Trade Price	Vertical Discharge Roof Cowl	Trade Price inc. B/D Shutter	Purlin Box	Trade Price	Soaker Sheet	Trade Price	Frequency Inverter S&P VFD 1/230v	Trade Price	Inverter S&P VFD IP65 3Ph input/3Ph output	Trade Price
THREE PHASE 4 POLE *230/400V 50*												
5603643000	HCBT/4-315/H *230/400V 50*	£216.37	315/350 V	£417.63	300/315	£148.20	300/350	£500.77	VFD-M10A	£489.25	VFD-T5A	£565.47
5603643900	HCBT/4-355/H *230/400V 50*	£242.62	315/350 V	£417.63	350	£148.20	350	£510.02	VFD-M10A	£489.25	VFD-T5A	£565.47
5603546300	HCBT/4-400/H *230/400V 50*	£264.46	400/450 V	£560.95	400/450	£154.59	400/450	£519.88	VFD-M10A	£489.25	VFD-T5A	£565.47
5603557900	HCBT/4-450/H *230/400V 50*	£303.81	400/450 V	£560.95	400/450	£154.59	400/450	£519.88	VFD-M10A	£489.25	VFD-T5A	£565.47
5603053900	HCBT/4-500/H *230/400V 50*	£349.71	500/560 V	£710.66	500/560	£184.84	500/560	£519.88	VFD-M10A	£489.25	VFD-T5A	£565.47
5603644500	HCBT/4-560/H *230/400V 50*	£463.40	500/560 V	£710.66	500/560	£184.84	500/560	£519.88	VFD-M10A	£489.25	VFD-T5A	£565.47
5603645200	HCBT/4-630/H *230/400V 50*	£629.46	630/710 V	£790.76	630/710	£277.70	630/710	£519.88	VFD-M10A	£489.25	VFD-T5A	£565.47
5603913400	HCBT/4-710/H *230/400V 50*	£1,073.14	630/710 V	£790.76	630/710	£277.70	630/710	£519.88	VFD-M10A	£489.25	VFD-T6.8A	£613.88
5604383900	HCBT/4-800/L-X (1.5KW) *230/400V 50*	£701.91	800 V	£1,151.33	800	£326.16	800	£581.04	VFD-M10A	£489.25	VFD-T5A	£565.47
5604385400	HCBT/4-800/H-X (3.0KW) *230/400V 50*	£1,139.85	800 V	£1,151.33	800	£326.16	800	£581.04	VFD-M16A	£596.37	VFD-T9A	£701.43



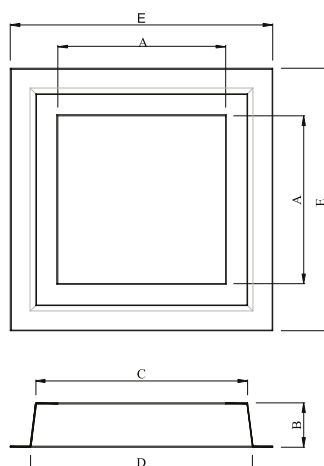
ALL THREE PHASE MODELS*

Frequency Inverter

1/230V	Trade Price
S&P VFD-M10A	£489.25

ALL THREE-PHASE MODELS WHERE CONTROLLED BY A VFD

	Speed Controller	Trade Price
	REB-CVF 0-10V	£121.69



PURLIN BOX

UNIT REF/SIZE	A	B	C	D	E
PB 200/250	300	225	425	480	580
PB 300/315	350	220	445	515	615
PB350	400	240	625	680	780
PB 400/450	510	240	730	780	880
PB 500/560	620	250	865	910	1050
PB 630/710	780	260	900	950	1080
PB 800	910	280	1090	1150	1270
PB 1000	1140	285	1345	1390	1510

ROOF MOUNTED FANS

CRHB / CRHT N series - Horizontal discharge

Range of centrifugal roof mounted fans in horizontal discharge format:

- Very low profile design.
- Bases manufactured from galvanised sheet steel.
- Centrifugal backward curved impeller.
- External rotor motor.
- Cowl manufactured from spun aluminium.

Motors

All motors are IP54, Class F insulation with safety thermal overload protection.

Electrical supply:

Single-phase 230V-50/60Hz (1), IP54, Class F, Speed controllable by Voltage.

Three-phase 230/400V-50/60Hz (2), IP54,

Class F.

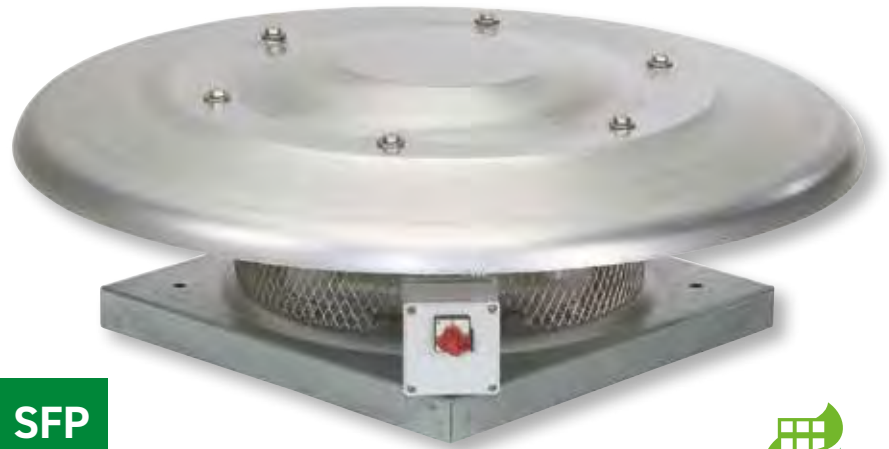
Three-phase models:

all speed controllable by frequency inverter.

all speed controllable also by voltage (except for models 4-450 and 4-560).

(1) Models /4-500 and 6/630, 230V-50Hz.

(2) Models /4-450, 4/560 and 6/630, 230/400V-50Hz.



PART L2: 2013 COMPLIANT



Low profile

External rotor motor to limit the height of the fan.



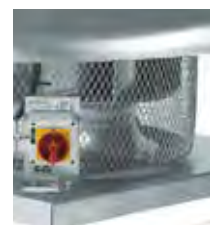
Bird proof guard

Steel finger proof guard.



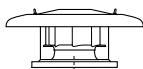
High efficiency centrifugal backward impeller

Low maintenance and low Consumption



Isolation switch

ON-OFF electrical isolation switch fitted on the fan as standard.



CRHB/T HORIZONTAL DISCHARGE ROOF FAN PRICES

Code	Model	Trade Price	Electronic Speed Controller	Trade Price	Auto Transformer Controller	Trade Price
SINGLE PHASE 4 POLE						
5136911500	CRHB/4-225 N (230V50/60HZ)	£383.42	REB-1	£64.08	REV-3N	£388.33
5136911900	CRHB/4-250 N (230V50/60HZ)	£394.10	REB-1	£64.08	REV-3N	£388.33
5136912100	CRHB/4-280 N (230V50/60HZ)	£462.58	REB-1	£64.08	REV-3N	£388.33
5136912500	CRHB/4-315 N (230V50/60HZ)	£733.78	REB-1	£64.08	REV-3N	£388.33
5136913500	CRHB/4-355 N (230V50/60HZ)	£787.02	REB-3	£78.64	REV-3N	£388.33
5136916800	CRHB/4-400 N (230V50/60HZ)	£778.93	REB-5	£106.79	REV-5N	£468.42
5136917600	CRHB/4-450 N (230V50/60HZ)	£935.68	REB-6	£121.06	REV-7N	£489.02
5136979000	CRHB/4-500 N (230V 50Hz)	£1,714.92	REB-10	£214.56	REV-10N	£643.18
THREE PHASE 4 POLE						
5136912900	CRHT/4-315 N (230/400V50/60HZ)	£735.97				
5136913900	CRHT/4-355 N (230/400V50/60HZ)	£775.11				
5136917200	CRHT/4-400 N (230/400V50/60HZ)	£886.92				
5136918000	CRHT/4-450 N (230/400V50HZ)	£942.14				
5136979400	CRHT/4-500 N (230/400V 50/60HZ)	£1,736.83				
5136980000	CRHT/4-560 N (230/400V 50Hz)	£1,937.05			-	



ALL THREE PHASE MODELS*

Frequency Inverter

1/230V	Trade Price
S&P VFD-M10A	£489.25
3/400V	Trade Price
S&P VFD-T5A	£565.47

TECHNICAL CHARACTERISTICS

Before making any electrical connection ensure that the voltage and frequency of the mains electrical supply matches that of the fan data plate label.

Model	Average Speed (r.p.m.)	Maximum absorbed power (W)	Maximum absorbed current (A-230V)**	Maximum air volume (m³/s)	Sound pressure level* (dB(A))		Max. Air temp. (°C at 50Hz)	Weight (kg)	Speed controller	
					Inlet	Outlet			REB	REV
SINGLE-PHASE 4 POLE MOTORS										
CRHB/4-225N	1400	41	0,2	0.16	36	42	-40/+70	10	REB-1	REV-3N
CRHB/4-250N	1320	46	0,2	0.20	38	44	-40/+70	10,5	REB-1	REV-3N
CRHB/4-280N	1280	101	0,4	0.42	41	47	-40/+70	17	REB-1	REV-3N
CRHB/4-315N	1370	157	0,7(0,8)	0.59	45	52	-40/+70	25,5	REB-1	REV-3N
CRHB/4-355N	1370	302	1,3(1,5)	0.86	50	58	-40/+70	27	REB-3	REV-3N
CRHB/4-400N	1380	544	2,3(2,7)	1.25	53	60	-40/+55	30,5	REB-5	REV-5N
CRHB/4-450N	1410	925	3,8(5,5)	1.75	60	68	-40/+70	42	REB-6	REV-7N
CRHB/4-500N	1410	1.588	6,6(9,1)	2.44	63	71	-40/+40	60	REB-10	REV-10N

* Sound pressure level measured at 3 m in hemi-spherical propagation.
 ** Maximum current when the speed is controlled by voltage.

Model	Average Speed (r.p.m.)	Maximum absorbed power (W)	Maximum absorbed current** (A)		Max. air volume (m³/s)	Sound pressure level* (dB(A))		Max. Air temp. (°C at 50Hz)	Weight (kg)	Frequency inverter	
			230V	400V		Inlet	Outlet			S&P VFD	
										1-230V	3-400V
THREE-PHASE 4 POLE MOTORS											
CRHT/4-315N	1370	162	0,7	0,4	0.61	44	51	-40/+70	24,5	S&P VFD-M10A	S&P VFD-T 5A
CRHT/4-355N	1390	305	1,2	0,7	0.89	44	51	-40/+65	26	S&P VFD-M10A	S&P VFD-T 5A
CRHT/4-400N	1370	517	1,9	1,1	1.29	54	60	-40/+70	29,5	S&P VFD-M10A	S&P VFD-T 5A
CRHT/4-450N	1400	893	3,3	1,9	1.71	58	66	-40/+60	40	S&P VFD-M10A	S&P VFD-T 5A
CRHT/4-500N	1420	1.552	5,4	3,1	2.41	64	71	-40/+70	53	S&P VFD-M10A	S&P VFD-T 5A
CRHT/4-560N	1350	2.619	7,8	4,5	3.66	66	75	-40/+60	64,5	S&P VFD-M10A	S&P VFD-T 5A

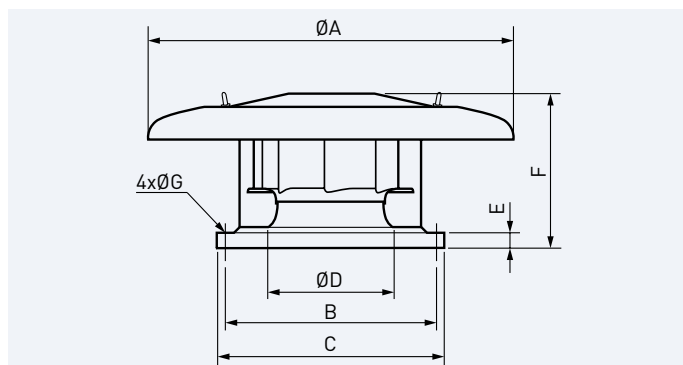
* Sound pressure level measured at 3 m in hemi-spherical propagation.
 ** At 50Hz without VSD.

PERFORMANCE DATA

Airflow m³/s @ static pressure Pa

Model	0	25	50	75	100	125	150	200	250	300	350	400	500	600	700
Single Phase															
CRHB/4-225 N	0.16	0.15	0.13	0.19	0.09	0.06	0.03								
CRHB/4-250 N	0.20	0.19	0.17	0.15	0.12	0.09	0.06								
CRHB/4-280 N	0.42	0.40	0.37	0.34	0.31	0.27	0.21								
CRHB/4-315 N	0.59	0.56	0.54	0.51	0.49	0.46	0.42	0.34	0.23	0.08					
CRHB/4-355 N	0.86	0.83	0.80	0.77	0.75	0.72	0.68	0.61	0.50	0.34					
CRHB/4-400 N	1.25	1.23	1.2	1.16	1.13	1.09	1.06	0.98	0.89	0.76	0.62	0.43			
CRHB/4-450 N	1.75	1.73	1.7	1.67	1.64	1.61	1.58	1.51	1.44	1.34	1.25	1.15	0.836		
CRHB/4-500 N	2.44	2.39	2.4	2.34	2.3	2.27	2.23	2.15	2.07	1.98	1.9	1.8	1.58	1.27	0.46
Three Phase															
CRHT/4-315 N	0.61	0.59	0.56	0.54	0.51	0.48	0.44	0.36	0.21	0.08					
CRHT/4-355 N	0.89	0.86	0.83	0.81	0.77	0.74	0.71	0.63	0.53	0.36	0.17				
CRHT/4-400 N	1.29	1.26	1.23	1.2	1.16	1.13	1.1	1.03	0.95	0.84	0.71	0.52			
CRHT/4-450 N	1.71	1.67	1.63	1.59	1.53	1.5	1.45	1.38	1.3	1.22	1.09	0.90	0.456		
CRHT/4-500 N	2.41	2.38	2.34	2.32	2.28	2.25	2.21	2.14	2.07	1.99	1.91	1.82	1.55	1.26	0.66
CRHT/4-560 N	3.66	3.63	3.58	3.53	3.49	3.47	3.39	3.28	3.17	3.04	2.94	2.78	2.5	2.17	1.77

DIMENSIONS CRHB/T-N - CRHT/T-N



Model	ØA	B	C	ØD	E	F	ØG
225N	570	245	326	183	35	209	10
250N	570	245	326	204	35	209	10
280N	640	330	435	228	40	273,5	12
315N	895	450	560	257	40	324	12
355N	895	450	560	289	40	349	12
400N	1150	535	630	326	40	363	12
450N	1150	535	630	367	40	409	12
500N	1150	590	710	407	40	435	14
560N	1150	750	900	455	40	486	14
630N	1150	750	900	513	40	548	14

ROOF MOUNTED FANS

CRVB / CRVT N series - Vertical discharge

Range of centrifugal roof mounted fans in vertical discharge format:

- Very low profile design.
- Bases manufactured from galvanised sheet steel.
- Centrifugal backward curved impeller.
- External rotor motor.
- Cowl manufactured from spun aluminium.

Motors

All motors are IP54, Class F insulation with safety thermal overload protection.

Electrical supply:

Single-phase 230V-50/60Hz (1), IP54, Class F, Speed controllable by Voltage.

Three-phase 230/400V-50/60Hz (2), IP54, Class F.

Three-phase models:

all speed controllable by frequency inverter.

all speed controllable also by voltage (except for models 4-450 and 4-560).

(1) Models /4-500 and 6/630, 230V-50Hz.

(2) Models /4-450, 4/560 and 6/630, 230/400V-50Hz.



PART L2: 2013 COMPLIANT



High efficiency centrifugal backward impeller
Low maintenance and low Consumption



Bird proof guard
Steel finger proof guard.



Isolation switch
ON-OFF electrical isolation switch fitted on the fan as standard.



CRVB/T VERTICAL DISCHARGE ROOF FAN PRICES

Code	Model	Trade Price	Electronic Speed Controller	Trade Price	Auto Transformer Controller	Trade Price
SINGLE PHASE 4 POLE						
5136911600	CRVB/4-225 N (230V50/60HZ)	£431.89	REB-1	£64.08	REV-3N	£388.33
5136912000	CRVB/4-250 N (230V50/60HZ)	£493.45	REB-1	£64.08	REV-3N	£388.33
5136912200	CRVB/4-280 N (230V50/60HZ)	£597.38	REB-1	£64.08	REV-3N	£388.33
5136912600	CRVB/4-315 N (230V50/60HZ)	£493.45	REB-1	£64.08	REV-3N	£388.33
5136913600	CRVB/4-355 N (230V50/60HZ)	£883.63	REB-3	£78.64	REV-3N	£388.33
5136916900	CRVB/4-400 N (230V50/60HZ)	£889.51	REB-5	£106.79	REV-5N	£468.42
5136917700	CRVB/4-450 N (230V50HZ)	£945.30	REB-6	£121.06	REV-7N	£489.02
5136979100	CRVB/4-500 N (230V50HZ)	£1,830.13	REB-10	£214.56	REV-10N	£643.18
THREE PHASE 4 POLE						
5136913000	CRVT/4-315 N (230/400V50/60HZ)	£743.74				
5136914000	CRVT/4-355 N (230/400V50/60HZ)	£863.52				
5136917300	CRVT/4-400 N (230/400V50/60HZ)	£874.15				
5136918100	CRVT/4-450 N (230/400V50HZ)	£919.67				
5136979500	CRVT/4-500 N (230/400V50/60HZ)	£1,848.08				
5136980100	CRVT/4-560 N (230/400V50HZ)	£2,078.59				



ALL THREE PHASE MODELS*
Frequency Inverter

1/230V	Trade Price
S&P VFD-M10A	£489.25
3/400V	Trade Price
S&P VFD-T5A	£565.47

ALL THREE-PHASE MODELS
WHERE CONTROLLED BY A VFD



Speed Controller	Trade Price
REB-CVF 0-10V	£121.96

TECHNICAL CHARACTERISTICS

Before making any electrical connection ensure that the voltage and frequency of the mains electrical supply matches that of the fan data plate label.

Model	Average Speed (r.p.m.)	Maximum absorbed power (W)	Maximum absorbed current (A-230V)**	Maximum air volume (m³/s)	Sound pressure level* (dB(A))		Max. Air temp. (°C at 50Hz)	Weight (kg)	Speed controller	
					Inlet	Outlet			REB	REV
SINGLE-PHASE 4 POLE MOTORS										
CRVB/4-225N	1410	41	0,2	0.16	36	40	-40/+70	10	REB-1	REV-3N
CRVB/4-250N	1370	46	0,2	0.19	38	44	-40/+70	10,5	REB-1	REV-3N
CRVB/4-280N	1280	99	0,4	0.38	43	48	-40/+70	17,5	REB-1	REV-3N
CRVB/4-315N	1380	156	0,7(0,8)	0.57	48	53	-40/+70	27	REB-1	REV-3N
CRVB/4-355N	1370	296	1,2	0.82	51	57	-40/+70	29,5	REB-3	REV-3N
CRVB/4-400N	1380	570	2,4(2,8)	1.26	55	59	-40/+55	29	REB-5	REV-5N
CRVB/4-450N	1410	904	3,7(5,6)	1.75	61	65	-40/+70	40,5	REB-6	REV-7N
CRVB/4-500N	1410	1.587	6,5(9,1)	2.37	63	67	-40/+40	61,5	REB-10	REV-10N

* Sound pressure level measured at 3 m in hemi-spherical propagation.
 ** Maximum current when the speed is controlled by voltage.

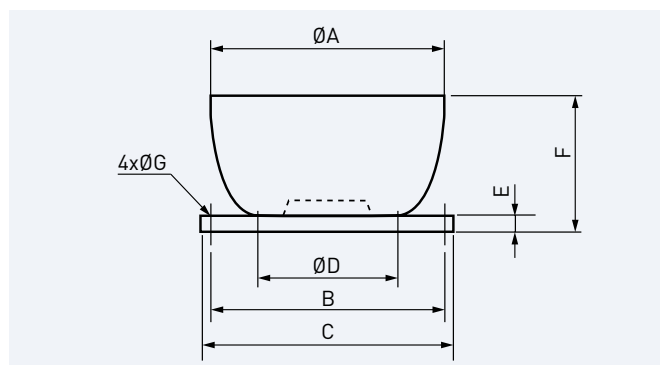
Model	Average Speed (r.p.m.)	Maximum absorbed power (W)	Maximum absorbed current** (A)		Maximum air volume (m³/s)	Sound pressure level* (dB(A))		Max. Air temp. (°C at 50Hz)	Weight (kg)	Frequency inverter	
			230V	400V		Inlet	Outlet			S&P VFD	
										1-230V	3-400V
SINGLE-PHASE 4 POLE MOTORS											
CRVT/4-315N	1370	160	0,7	0,4	0.59	46	51	-40/+70	26	S&P VFD-M10A	S&P VFD-T 5A
CRVT/4-355N	1390	296	1,2	0,7	0.84	47	53	-40/+65	27	S&P VFD-M10A	S&P VFD-T 5A
CRVT/4-400N	1380	504	1,9	1,1	1.26	54	58	-40/+70	28	S&P VFD-M10A	S&P VFD-T 5A
CRVT/4-450N	1390	900	3,1	1,8	1.69	58	63	-40/+70	38,5	S&P VFD-M10A	S&P VFD-T 5A
CRVT/4-500N	1420	1.588	5,4	3,1	2.37	64	68	-40/+70	54,5	S&P VFD-M10A	S&P VFD-T 5A
CRVT/4-560N	1350	2.639	8,0	4,6	3.52	65	71	-40/+60	70	S&P VFD-M10A	S&P VFD-T 5A

* Sound pressure level measured at 3 m in hemi-spherical propagation.
 ** At 50Hz without VSD.

PERFORMANCE TABLE

Model	0	25	50	75	100	125	150	200	250	300	350	400	450	500	550	600	650	700	750	800	850
Single Phase																					
CRVB/4-225 N	0.16	0.14	0.13	0.11	0.09	0.07															
CRVB/4-250 N	0.19	0.18	0.16	0.14	0.12	0.09	0.07														
CRVB/4-280 N	0.38	0.35	0.33	0.30	0.26	0.23	0.19	0.08													
CRVB/4-315 N	0.57	0.55	0.53	0.50	0.48	0.45	0.42	0.34	0.24	0.09											
CRVB/4-355 N	0.82	0.79	0.76	0.74	0.71	0.69	0.66	0.58	0.48	0.33	0.14										
CRVB/4-400 N	1.26	1.23	1.20	1.18	1.15	1.12	1.08	1.01	0.93	0.83	0.70	0.56	0.38								
CRVB/4-450 N	1.75	1.72	1.69	1.66	1.63	1.60	1.56	1.50	1.42	1.32	1.22	1.11	0.99	0.83	0.57						
CRVB/4-500 N	2.37	2.33	2.31	2.28	2.25	2.22	2.19	2.11	2.03	1.94	1.85	1.77	1.66	1.54	1.39	1.23	1.04	0.68			
Three Phase																					
CRVT/4-315 N	0.59	0.57	0.55	0.52	0.45	0.47	0.44	0.35	0.24	0.07											
CRVT/4-355 N	0.84	0.82	0.80	0.78	0.75	0.72	0.68	0.61	0.52	0.38	0.19										
CRVT/4-400 N	1.26	1.23	1.20	1.17	1.14	1.11	1.08	1.01	0.92	0.81	0.70	0.55	0.38								
CRVT/4-450 N	1.69	1.65	1.61	1.56	1.52	1.48	1.44	1.36	1.27	1.19	1.06	0.88	0.69	0.47							
CRVT/4-500 N	2.37	2.34	2.31	2.28	2.25	2.22	2.19	2.12	2.04	1.95	1.87	1.78	1.69	1.59	1.45	1.29	1.10	0.77			
CRVT/4-560 N	3.52	3.49	3.44	3.39	3.35	3.30	3.25	3.15	3.04	2.93	2.81	2.69	2.56	2.42	2.27	2.11	1.93	1.72	1.47	1.11	0.78

DIMENSIONS CRVB/T-N - CRVT/T-N



Model	ØA	B	C	ØD	E	F	ØG
225N	434	245	326	183	35	260	10
250N	434	245	326	204	35	260	10
280N	560	330	435	228	40	305	12
315N	754	450	560	257	40	395	12
355N	754	450	560	289	40	395	12
400N	857	535	630	326	40	459	12
450N	857	535	630	367	40	459	12
500N	950	590	710	407	40	530	14
560N	1216	750	900	455	40	580	14
630N	1216	750	900	513	40	580	14

MOUNTING ACCESSORIES

Protection guard



DEF-D

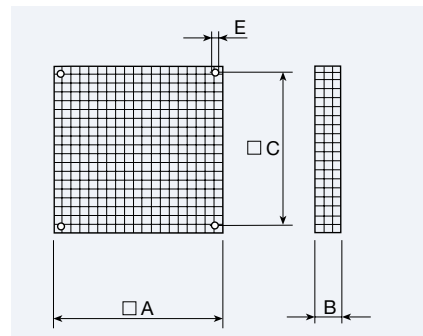
Model	□ A	B	□ C	∅ E
DEF-250 D	332	64	286	8
DEF-325 D	397	64	351	8
DEF-375 D	449	64	403	8
DEF-450 D	501	64	455	8
DEF-525 D	553	64	507	8
DEF-630 D	808	150	735	8
DEF-800 D	1008	140	935	8
DEF-1000 D	1258	155	1185	8

Square discharge wire protection guards. Protection guard to prevent any contact with the fan impeller.

Wire mesh hole size (mm):

10,6 x 10,6 (from 250 models to 525)

25 x 25 (from 630 models to 1000)



DEF-T

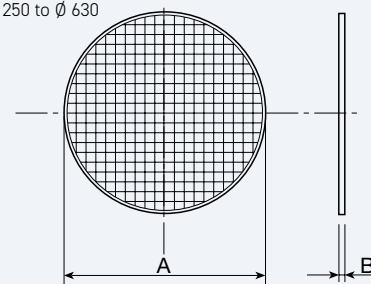
Model	A	B	∅D	Number of holes
DEF-250 T	312	1,2	-	-
DEF-315 T	380	3	-	-
DEF-355 T	420	3	-	-
DEF-400 T	475	3	-	-
DEF-450 T	525	3	-	-
DEF-500 T	595	3	-	-
DEF-560 T	655	3	-	-
DEF-630 T	725	3	-	-
DEF-710 T	770	5	12	8
DEF-710/H-T	770	5	12	8
DEF-710/L-T	770	5	12	8
DEF-800 T	860	5	11	8

Inlet/outlet guard protection grille to be mounted to the S&P COMPACT cased axial fans.

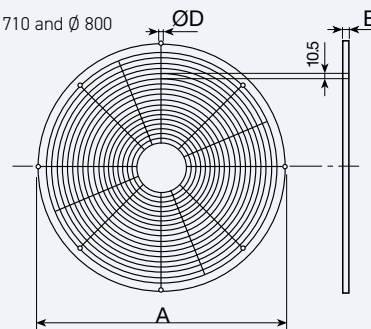
Wire mesh hole size (mm):

10,6 x 10,6 (from 250 models to 630)

∅ 250 to ∅ 630



∅ 710 and ∅ 800

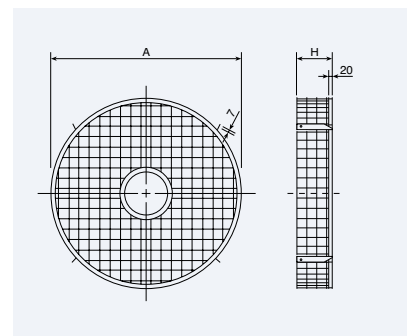


DEF-AN

Inlet guard protection grille to be mounted with large diameter (800 to 1000) plate mounted axial fans.

Model	∅ A	H
DEF-800 AN	926	178
DEF-900 AN / DEF-901 AN	1026	228
DEF-1000 AN	1154	163

Wire mesh hole size (mm): **25 x 25**



Louvre back draft shutters



From 100 up to 500 models*



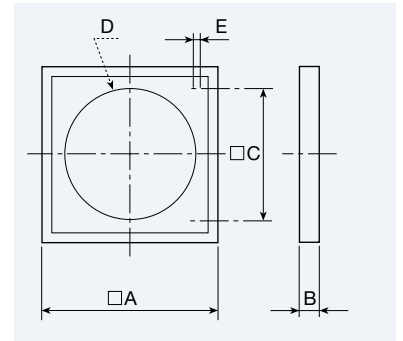
From 560 up to 1000 models *

* Colour:
Light grey color (RAL7035)

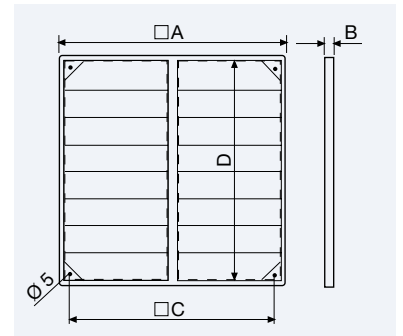
PER-W

Louvre back draft shutters manufactured totally from UV stabilized plastic material. Suitable for agricultural exhaust or supply air applications (high protection against corrosion).

Model	□ A	B	□ C	∅ D	∅ E
PER-100 W	123	12	90	98	4
PER-125 W	158	15	110	130	4
PER-160 W	178	20	130	152	4
PER-200 W	243	21	184	205	5
PER-250 W	294	26	233	260	5
PER-355 W	394	26	310	360	5
PER-400 W	457	26	365	420	5
PER-450 W	499	31	395	460	5
PER-500 W	548	31	443	510	5



Model	□ A	D	□ C	B
PER-560 W	605	565	522	28
PER-630 W	696	655	626	31
PER-710 W	760	720	692	40
PER-800 W	840	800	772	40
PER-1000 W	1040	1000	972	40

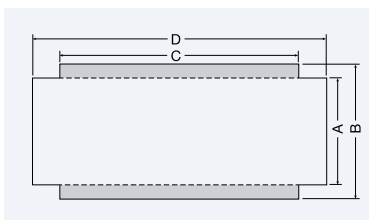


Sound attenuators



SIL

Sound attenuator to reduce noise transmission to ducting system. In galvanized steel.



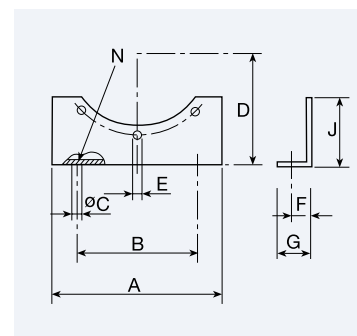
Model	∅A (mm)	∅B (mm)	C (mm)	D (mm)	Weight (Kg)	Attenuation in dB							
						63	125	250	500	1000	2000	4000	8000
SIL 125	125	225	600	700	5,08	1	3	9	20	28	35	28	13
SIL 160	160	260	600	700	6,53	1	3	7	17	23	29	20	9
SIL 200	200	300	600	700	8,63	1	3	7	14	20	26	15	7
SIL 250	250	355	600	700	12,9	0	2	7	12	18	23	10	5
SIL 315	315	415	600	700	14,5	0	2	7	10	15	20	7	4
SIL 355	355	450	900	1050	16,9	3,7	4,1	6,7	13,2	14,3	3,4	8,1	7
SIL 400	400	500	900	1050	16,9	1,8	3,1	4	9,5	13,7	5,6	0,4	5,9
SIL 450	450	560	900	1050	22,4	2	6	8	14	16	13	13	4
SIL 500	500	630	900	1050	26,4	2,2	2,8	4,6	10,1	7,7	5,1	1,8	1,6
SIL 560	560	630	900	1050	26,5	2	4	7	12	12	12	10	2
SIL 630	630	710	900	1100	30,4	1	7	7	12	12	12	10	1

Supports, connectors, clamps, anti-vibration mounts



Support feet.
For installation with the COMPACT TCBB-TCBT, TCBB-TCBTx2 and TTT ranges of in-line cased axial fans. Supplied in pairs.

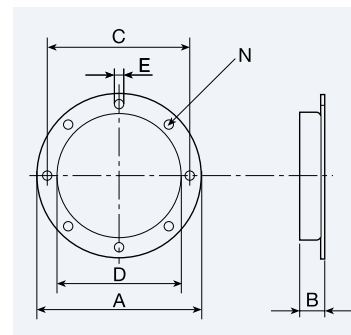
Model	A	B	∅ C	D	∅ E	F	G	J	N
PIE-250	232	180	10	200	10	14	24	115	2
PIE-315	275	224	10	224	10	14	24	115	2
PIE-355	303	250	10	250	10	14	24	125	2
PIE-400	348	280	12	280	12	14	24	135	2
PIE-450	384	315	12	315	12	14	24	155	2
PIE-500	425	315	12	315	12	14	24	135	2
PIE-560	475	335	12	355	12	17	30	155	2
PIE-630	520	400	12	400	12	17	30	176	2
PIE-710	600	480	14	435	15	22	45	190	2
PIE-800	600	185	12	473	12	32	50	155	4



Circular duct matching flange.
For installation with the COMPACT TCBB-TCBT and TTT ranges of in-line cased axial fans.

ARO BRIDA COMPACT

Model	∅ A	B	∅ C	∅ D	∅ E	N N° of holes
ARO BRIDA COMPACT-250	323	55	292	250	10	4
ARO BRIDA COMPACT-315	386	55	355	315	10	8
ARO BRIDA COMPACT-355	426	55	395	355	10	8
ARO BRIDA COMPACT-400	487	55	450	400	12	8
ARO BRIDA COMPACT-450	537	55	500	450	12	8
ARO BRIDA COMPACT-500	595	55	560	500	12	12
ARO BRIDA COMPACT-560	655	55	620	560	12	12
ARO BRIDA COMPACT-630	725	55	690	630	12	12
ARO BRIDA COMPACT-710	806	60	770	710	12	16
ARO BRIDA COMPACT-800	896	60	860	800	12	16

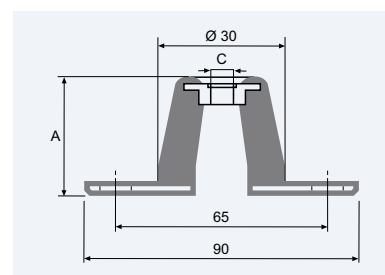


KSE



Rubber anti-vibration mounts that absorb vibration and attenuate the noise produced in the installation.
(1 KSE = 4 supports in a bag)

Model	Weight of fan	A	C
KSE-45	40 - 180 Kg	24	M8
KSE-70	80 - 280 Kg	38	M8



CX



Model	∅ (mm)
CX 80/125	80/125
CX 125/215	125/215
CX 250	125/250
CX 315	300/315

Adjustable clamps to secure the extractor to the duct or other accessories, avoiding the transmission of vibration.

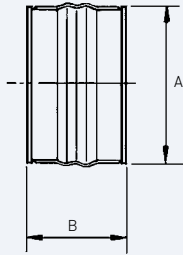
Supports, connectors, clamps, anti-vibration mounts



Circular flexible connector plus two worm-drive clips.
Certified F400-120.

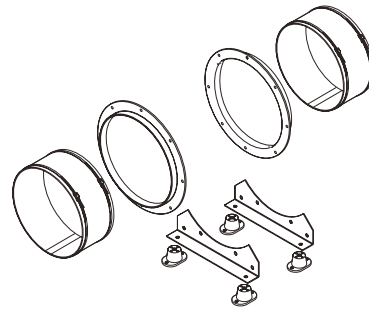
ACOPEL F400 N

Model	Ø A	B	Model	Ø A	B
ACOPEL F400-125/160	125	160	ACOPEL F400-500/160	500	160
ACOPEL F400-125/300	125	300	ACOPEL F400-500/300	500	300
ACOPEL F400-160/160	160	160	ACOPEL F400-560/160	560	160
ACOPEL F400-160/300	160	300	ACOPEL F400-560/300	560	300
ACOPEL F400-200/160	200	160	ACOPEL F400-630/160	630	160
ACOPEL F400-200/300	200	300	ACOPEL F400-630/300	630	300
ACOPEL F400-250/160	250	160	ACOPEL F400-710/160	710	160
ACOPEL F400-250/300	250	300	ACOPEL F400-710/300	710	300
ACOPEL F400-315/160	315	160	ACOPEL F400-800/160	800	160
ACOPEL F400-315/300	315	300	ACOPEL F400-800/300	800	300
ACOPEL F400-355/160	355	160	ACOPEL F400-900/160	900	160
ACOPEL F400-355/300	355	300	ACOPEL F400-900/300	900	300
ACOPEL F400-400/160	400	160	ACOPEL F400-1000/160	1000	160
ACOPEL F400-400/300	400	300	ACOPEL F400-1000/300	1000	300
ACOPEL F400-450/160	450	160	ACOPEL F400-1250/160	1250	160
ACOPEL F400-450/300	450	300	ACOPEL F400-1250/300	1250	300



SPANC ANCILLARY PACK

Ancillary Packs for Cased and Contra Rotating Axial Fans



The SPANC Ancillary pack range is a complete kit of matched parts selected to isolate axial fans from the surrounding structure. The SPANC kit consists of:

- 2x Matching flanges
- 2x Flexible connectors
- 4x Flexible connection bands
- 2x Universal mounting feet
- 4x Anti-vibration mounts

The components are selected to isolate Cased and Contra-Rotating Axial Fans and are standardized for units up to 800mm diameter.

SPANC ANCILLARY PACK

COMPACT ROTOREX & CONTRA ROTATING (Pattern A)

UNIT REF/SIZE	Diameter	No. Holes	PCD	Bolt Size
SPANC-250	250	8	286	M6
SPANC-315	315	8	355	M8
SPANC-355	355	8	395	M8
SPANC-400	400	8	450	M10
SPANC-450	450	8	500	M10
SPANC-500	500	12	560	M10
SPANC-560	560	12	620	M10
SPANC-630	630	12	690	M10
SPANC-710	710	16	770	M10
SPANC-800	800	16	860	M10

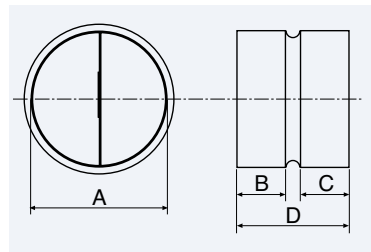
MOUNTING ACCESSORIES

Back draft shutters

CAR



Model	∅A	B	C	D
CAR-80	80	37	35	82
CAR-100	100	35	31	80
CAR-110	110	47	45	112
CAR-125	125	45	43	100
CAR-150	150	55	53	120
CAR-160	160	55	53	120
CAR-200	200	65	63	140
CAR-250	250	65	63	140
CAR-315	315	65	63	140
CAR-355	355	65	63	140
CAR-400	400	65	63	250



Back draft shutters to be installed within circular ducting to prevent back draft of air when the fans are switched off.

MOUNTING ACCESSORIES

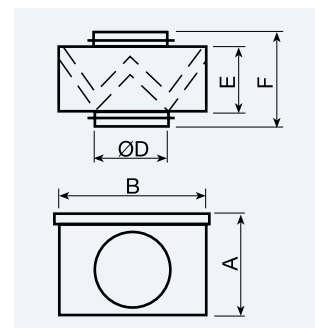
Filters



MFL-G4

Model	A	B	∅ D	E	F
MFL-100 G4	206	229	100	154	212
MFL-125 G4	206	229	125	154	218
MFL-150 G4	206	229	150	154	218
MFL-160 G4	206	229	160	154	218
MFL-200 G4	246	269	200	154	218
MFL-250 G4	296	319	250	154	248
MFL-315 G4	346	369	315	154	248
MFL-355 G4	446	469	355	154	248
MFL-400 G4	446	469	400	154	248
MFL-450 G4	546	569	450	154	248
MFL-500 G4	546	569	500	154	248
MFL-560 G4	606	629	560	154	248
MFL-630 G4	666	689	630	154	248

MFL filtration boxes are of G4 grade filtration and are designed for direct connection with standard circular ducting. The MFL-G4 filtration boxes are supplied with a cover easily removable to replace the filter.



Pressure drop of the filter boxes Δp (Pa)



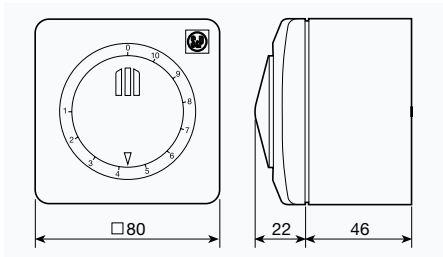
CONTROLS & ELECTRICAL ACCESSORIES

Single phase speed controller



REB-1N REB-2.5N

Electronic single phase speed controllers. Available in wall box or flush mount versions. Fuse protected + spare fuse included. Minimum speed adjustment. Single ON/OFF and speed regulation control knob.



Model	Electrical supply		IP Protection	Power (VA)	Maximum current (A)	Minimum current (A)	Class	Operating temperature range (°C)
	Frequency (Hz)	Voltage (V)						
REB-1	50	220-240	IP44	220	1	0,15	Class II	0 / +40
REB-2.5				550	2,5	0,15		

Single phase speed controller

REB



The REB range of electronic speed controller is for use in general areas. The casing is protected to class IP42.

REB6 and above are fitted with a manual reset facility to prevent automatic restart of ducted fans after a fault condition (to comply with EN 60335-2-80:2005)

Mains Supply: 230V ~ 50Hz
Output: Variable - 3 wire speed control recommended for best results.

Model/ Code	Max. Current (A)	Dimensions (mm)			IP Rating
		L	H	D	
REB-1	1A	105	83	40	IP42
REB-3	3A	120	100	41	IP42
REB-5	5A	148	88	55	IP42
REB-6	6A	148	95	55	IP42
REB-8	8A	170	120	55	IP42
REB-10	10A	170	120	55	IP42
REB-16	16A	222	146	83	IP42

ELECTRONIC SPEED CONTROLLERS

Code	Model	Trade Price
5401270300	REB-1N ELECTRONIC SPEED CONTROLLER 1A MAX. (RESIDENTIAL USE)	£64.08
5401272900	REB-2.5N ELECTRONIC SPEED CONTROLLER 2.5A MAX. (RESIDENTIAL USE)	£79.13
1000000081	REB-1 ELECTRONIC SPEED CONTROLLER 1A MAX. 230V	£64.08
1000000076	REB-3 ELECTRONIC SPEED CONTROLLER 3A MAX. 230V	£78.64
1000000077	REB-5 ELECTRONIC SPEED CONTROLLER 5A MAX. 230V	£106.79
1000000027	REB-6 ELECTRONIC SPEED CONTROLLER 6A MAX. 230V	£121.06
1000000050	REB-8 ELECTRONIC SPEED CONTROLLER 8A MAX. 230V	£211.08
1000000082	REB-10 ELECTRONIC SPEED CONTROLLER 10A MAX. 230V	£214.56
1000000079	REB-16 ELECTRONIC SPEED CONTROLLER 16A MAX. 230V	£336.66
5401304000	REB-CVF 0-10V CONTROLLER	£121.96

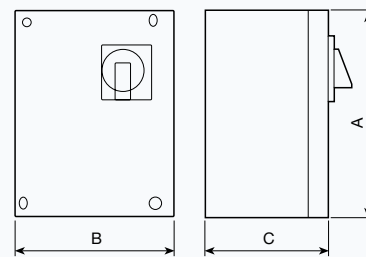


SINGLE PHASE SPEED CONTROLLER



RMB

Single phase speed controller by auto-transformer.
 IP54 ABS casing.
 Electrical supply: 1/230V/50-60Hz.
 Six position knob (0/1/2/3/4/5).
 Voltage: 80, 105, 130, 160 and 230 V.
 Pilot light.

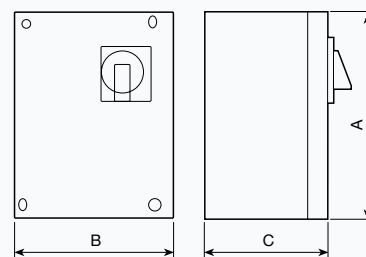


Model	Maximum current (A)	Dimensions			Weight (kg)
		A	B	C	
RMB-1,5	1,5	230	180	95	3
RMB-3,5	3,5				4
RMB-8	8	310	230	125	10
RMB-10	10				12



RMT

Three phase speed controller by auto-transformer.
 IP54 ABS casing for RMT-1,5 and RMT-2,5 models.
 IP54 metallic casing from RMT-5 to RMT-12 models.
 Electrical supply: 3/400V/50-60Hz.
 Six position knob (0/1/2/3/4/5).
 Voltage: 90, 150, 200, 280 and 400 V.
 Pilot light.



Model	Maximum current (A)	Dimensions			Weight (kg)
		A	B	C	
RMT-1,5	1,5	300	220	125	6
RMT-2,5	2,5	300	220	125	13
RMT-5	5	300	247	200	16
RMT-8	8	400	300	205	21
RMT-12	12	400	300	205	30



RRB-100

RRB-100 Electromechanical single-phase speed controller.
 IP20 casing
 Surface mounted.
 Five position knob.
 Electrical supply: 1/230V/50Hz.
 Power: 94.3W
 Maximum Current: 0.41A
 Operating Temperature 5-34°C

AUTO TRANSFORMER SPEED CONTROLLERS

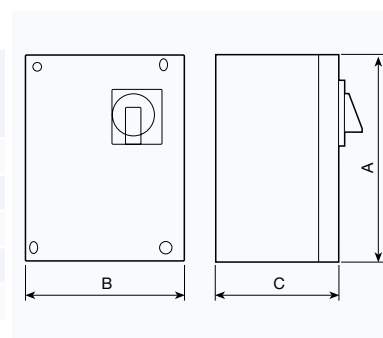
Code	Model	Trade Price
5401230700	RRB-100 ELECTROMECHANICAL SINGLE-PHASE SPEED CONTROLLER.	£69.78
5401245500	RMB-1.5 - 5 STEP & OFF AUTO TRANSFORMER 1.5A MAX. 230V	£114.74
5401246300	RMB-3.5 - 5 STEP & OFF AUTO TRANSFORMER 3.5A MAX. 230V	£132.87
5401247100	RMB-8 - 5 STEP & OFF AUTO TRANSFORMER 8A MAX. 230V	£259.68
5401248900	RMB-10 - 5 STEP & OFF AUTO TRANSFORMER 10A MAX. 230V	£348.05
5401250500	RMT-1.5 - 5 STEP & OFF AUTO TRANSFORMER 1.5A MAX. 400V	£383.95
5401254800	RMT-2.5 - 5 STEP & OFF AUTO TRANSFORMER 2.5A MAX. 400V	£456.26
5401254900	RMT-5 - 5 STEP & OFF AUTO TRANSFORMER 5A MAX. 400V	£629.93
5401255000	RMT-8 - 5 STEP & OFF AUTO TRANSFORMER 8A MAX. 400V	£818.41
5401255100	RMT-12 - 5 STEP & OFF AUTO TRANSFORMER 12A MAX. 400V	£1,032.49
5401625800	REV-3N - 5 STEP & OFF AUTO TRANSFORMER WITH MOTOR PROTECTION	£388.33
5401625900	REV-5N - 5 STEP & OFF AUTO TRANSFORMER WITH MOTOR PROTECTION	£468.42
5401626000	REV-7N - 5 STEP & OFF AUTO TRANSFORMER WITH MOTOR PROTECTION	£489.02
5401626100	REV-10N - 5 STEP & OFF AUTO TRANSFORMER WITH MOTOR PROTECTION	£643.18

SINGLE PHASE SPEED CONTROLLER



REV

Model	Maximum current (A)	Dimensions			Weight (kg)
		A	B	C	
REV-1,5	1,5 A	220	170	180	4
REV-3	3 A	220	170	180	5
REV-5	5 A	220	170	180	6.5
REV-7	7 A	220	170	180	7
REV-10	10 A	220	220	200	12



Auto-transformer. Single phase 230V-50 Hz. Wall mounting. IP44. Motor PTO connection. Maximum switch output: (1A).

DIRECT ON LINE (DOL) starter range



**Direct On Line Motor Starter for three phase motors.
Fitted with integrated thermal contacts.**

- Surface mounting
- IP54
- Volt-free contacts

Mains Supply: 400V ~ 50Hz
Maximum Current: 25A

DIRECT ONLINE STARTERS

Code	Model	Trade Price
5132926600	MSD 400V 0-25A	227.62

Isolator & Speed Control Switches



LxWxH (mm): 80 x 45 x 80

REGUL-2

Fan ON/OFF and speed selector I/II switch.
Maximum current rating 4.5A.



LxWxH (mm): 84 x 37 x 81

COM-2

Two speed switch.
Fan ON/OFF and speed selector I/II rotary switch.
Maximum current rating 12A.

ISOLATORS & SPEED CONTROL SWITCHES

Code	Model	Trade Price
5401260400	REGUL-2 2 SPEED SWITCH WITH ON/OFF 4.5A MAX. 230V	£32.05
5401259600	COM-2 2 SPEED & OFF SWITCH 12A MAX. 230V	£28.97
5401306500	COM-3 3 SPEED & OFF SWITCH	£94.91
L1000000681	PREPARATION/COOK SWITCH	£85.49



PREPARATION/COOK SWITCH

Remote control ON/OFF + Selector Switch to toggle between "Prep / Cook" speeds defined on installation.
For use with all S&P Inverters
Dimensions - 86 W x 85 H x 65 D

DIFFERENTIAL PRESSURE SWITCH (DPS)



Differential pressure switch used to indicate fan running and clogged filter.
Protection class: IP54.
Can be used outside.

Model	PRESSURE RANGE
DPS 2-30	20 - 300 Pa
DPS 10-100	100 - 1000 Pa
DPS 100-500	1000 - 5000 Pa

DIFFERENTIAL PRESSURE SWITCHES

Code	Model	Trade Price
5401004100	DIFFERENTIAL PRESSURE SWITCH 2-30 Pa	£84.59
5209177800	DIFFERENTIAL PRESSURE SWITCH 10-100 Pa	£84.59
5209203500	DIFFERENTIAL PRESSURE SWITCH 100-500 Pa	£84.59



REMOTE RUN-ON TIMER

230V ~ SUPPLY AND OUTPUT
 Electrical Rating: 5(2.5) A
 Adjustable run-on time 30 secs to 25 mins.
 Single gang with back box.
 Dimensions: 83 x 83 x 40mm



TRICKLE/BOOST SWITCH

Can be wired to various 2-speed fans (or alternatively any 2 speeds of our 3 speed fans).

Single gang with back box.
 Dimensions: 83 x 83 x 40mm



REMOTE PIR MOVEMENT SENSOR

230V ~ SUPPLY AND OUTPUT
 Electrical Rating: 5(2.5) A
 Adjustable run-on time 30 secs to 25 mins.
 Single gang with back box.
 Detection range up to 5m
 Dimensions: 83 x 83 x 55mm

LxWxH (mm): 110 x 57 x 80



7 day PROGRAMMABLE TIMECLOCK

ELECTRICAL RATING 16 (8) A
 8 PROGRAMMABLE TIME PRESETS
 ONE MINUTE INCREMENTS
 VOLT-FREE CONTACTS

ADJUSTABLE THERMOSTAT (230V)

ELECTRICAL RATING 16 (4) A
 TEMP RANGE 10-30°C
 Dimensions: 83 x 83 x 40mm



ADJUSTABLE THERMOSTAT (24V)

ELECTRICAL RATING 16 (4) A
 TEMP RANGE 10-30°C
 Dimensions: 83 x 83 x 40mm

SENSORS & SWITCHES

Code	Model	Trade Price
1000000276	REMOTE RUN ON TIMER 230V	£32.99
1000000654	S&P Ventilation System TRICKLE/BOOST SWITCH	£27.95
1000000275	PIR - WALL MOUNTED, 230V	£103.26
1000000387	PIR - WALL MOUNTED, 24V	£100.25
1000000388	7 DAY TIMECLOCK, PROGRAMMABLE	£88.27
1000000389	THERMOSTAT 230V	£26.15
1000000390	THERMOSTAT 24V	£17.01

Variable Frequency Inverters

S&P UK DIGITAL INVERTER VFD IP54 Range

For three phase motors up to 4 kW.
IP54 case.

Integral heatsink and cooling fan
Simple to set-up and operate.

Voltage supplies:

Single-phase 230V-50/60Hz for

S&P VFD-M 10A IP54 (1-PH)

S&P VFD-M 16A IP54 (1-PH)

Three-phase 400V-50/60Hz

S&P VFD-T 5A IP54 (3-PH)

S&P VFD-T 6.8A IP54 (3-PH)

Motor kW protection programmable by a single parameter.

Power on and drive status indication.

Speed selection with UP/DOWN keys.

Run/Fault relay output contacts.

Motor overload and shortcut protections.



VARIABLE FREQUENCY INVERTERS

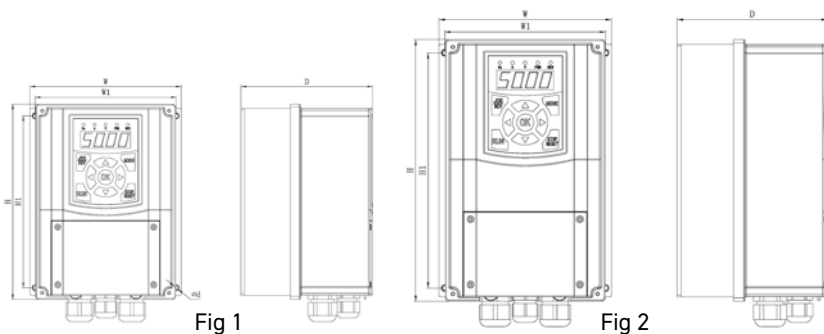
Code	Model	Trade Price
L100000662	S&P VFD-M 10A IP54 (1-PH)	£489.25
L100000663	S&P VFD-M 16A IP54 (1-PH)	£596.37
L100000664	S&P VFD-T 5A IP54 (3-PH)	£565.47
L100000665	S&P VFD-T 6.8A IP54 (3-PH)	£613.88
L100000678	S&P VFD-T 9A IP54 (3-PH)	£701.43
L100000679	S&P VFD-T 13A IP54 (3-PH)	£843.57
L100000680	S&P VFD-T 17A IP54 (3-PH)	£1,011.46

PERFORMANCE DATA

Model	Motor Power (kW)	Maximum Output Current (A)	Weight (Kg)
Single-phase supply 230V-50/60Hz, Three-phase output			
S&P VFD-M 10A IP54 (1-PH)	2.2	10	2.25
S&P VFD-M 16A IP54 (1-PH)	3.7	16	2.75
Three-phase supply 400V-50/60Hz, Three-phase output			
S&P VFD-T 5A IP54 (3-PH)	2.2	5	2.25
S&P VFD-T 6.8A IP54 (3-PH)	3	6.8	2.28
S&P VFD-T 9A IP54 (3-PH)	4	9	2.75
S&P VFD-T 13A IP54 (3-PH)	5.5	13	2.78
S&P VFD-T 17A IP54 (3-PH)	7.5	17	2.8

Note that cables and protection circuit breakers should be sized to the maximum input current of 32A.

DIMENSIONS



Inverter Model	Power (kW)	Dimension (mm)						Drawing
		H	H1	W	W1	D	d	
S&P VFD-M 10A IP54 (1-PH)	2.2	193	170	150	140	131	4.5 dia.	Fig. 1
S&P VFD-M 16A IP54 (1-PH)	3.7	228	205	150	140	131	4.5 dia.	Fig. 2
S&P VFD-T 5A IP54 (3-PH)	2.2	193	170	150	140	131	4.5 dia.	Fig. 1
S&P VFD-T 6.8A IP54 (3-PH)	3	193	170	150	140	131	4.5 dia.	Fig. 1
S&P VFD-T 9A IP54 (3-PH)	4	228	205	150	140	131	4.5 dia.	Fig. 2
S&P VFD-T 13A IP54 (3-PH)	5.5	228	205	150	140	131	4.5 dia.	Fig. 2
S&P VFD-T 17A IP54 (3-PH)	7.5	228	205	150	140	131	4.5 dia.	Fig. 2



REB-CVF CONTROLLER

PREPARATION/COOK SWITCH

ACCESSORIES

Code	Model	Trade Price
5401304100	REB-CVF 0-10V CONTROLLER	£121.96
L100000681	PREPARATION/COOK SWITCH	£85.49
L011100000683	EMC FILTER IPH-> 3PH 10A	£115.35
L011100000685	EMC FILTER IPH-> 3PH 16A	£223.45
L011100000914	EMC FILTER 3PH-> 3PH 16A	£187.50
L011100000915	EMC FILTER 3PH-> 3PH 16A	£312.50
L011100000916	EMC FILTER 3PH-> 3PH 25A	£337.50



VFTM INVERTERS

Code	Model	Max. Current (Amps)	Trade Price
IP21 Casing			
5401611900	VFTM MONO 0,18 IP21	1.5A	£310.68
5401612000	VFTM MONO 0,37 IP21	3.3A	£323.57
5401612100	VFTM MONO 0,55 IP21	3.7A	£366.73
5401612200	VFTM MONO 0,75 IP21	4.8A	£405.52
5401612300	VFTM MONO 1,1 IP21	6.9A	£440.05
5401612400	VFTM MONO 1,5 IP21	8.0A	£470.34
5401612500	VFTM MONO 2,2 IP21	11A	£707.61
5401612600	VFTM TRI 0,37 IP21	1.5A	£517.77
5401612700	VFTM TRI 0,55 IP21	1.9A	£556.56
5401612800	VFTM TRI 0,75 IP21	2.3A	£703.24
5401612900	VFTM TRI 1,1 IP21	3.0A	£729.15
5401613000	VFTM TRI 1,5 IP21	4.1A	£793.85
5401613100	VFTM TRI 2,2 IP21	5.5A	£862.83
5401613200	VFTM TRI 3 IP21	7.1A	£893.12
5401613300	VFTM TRI 4 IP21	9.5A	£1,072.17
5401613400	VFTM TRI 5,5 IP21	14.3A	£1,285.68
5401613500	VFTM TRI 7,5 IP21	17.0A	£1,691.31
5401613600	VFTM TRI 11 IP21	27.7A	£2,243.56
5401613700	VFTM TRI 15 IP21	33.0A	£2,584.43
IP54 Casing			
5401618200	VFTM MONO 0,18 IP54	1.5A	£429.31
5401618300	VFTM MONO 0,37 IP54	3.3A	£478.89
5401618400	VFTM MONO 0,55 IP54	3.7A	£491.84
5401618500	VFTM MONO 0,75 IP54	4.8A	£552.28
5401618600	VFTM MONO 1,1 IP54	6.9A	£677.37
5401618700	VFTM MONO 1,5 IP54	8.0A	£729.15
5401618800	VFTM MONO 2,2 IP54	11A	£767.97
5401618900	VFTM TRI 0,37 IP54	1.5A	£711.87
5401619000	VFTM TRI 0,55 IP54	1.9A	£789.53
5401619100	VFTM TRI 0,75 IP54	2.3A	£987.99
5401619200	VFTM TRI 1,1 IP54	3.0A	£1,100.18
5401619300	VFTM TRI 1,5 IP54	4.1A	£1,121.74
5401619400	VFTM TRI 2,2 IP54	5.5A	£1,251.22
5401619500	VFTM TRI 3 IP54	7.1A	£1,510.04
5401619600	VFTM TRI 4 IP54	9.5A	£1,605.04
5401619700	VFTM TRI 5,5 IP54	14.3A	£1,639.48
5401619800	VFTM TRI 7,5 IP54	17.0A	£2,260.80
5401619900	VFTM TRI 11 IP54	27.7A	£2,502.40
5401620000	VFTM TRI 15 IP54	33.0A	£3,408.52

- **MONO** single phase supply to three phase output versions (230V)
- **TRI** three phase supply to three phase output versions (400V)
- **No Interference issues** Integrated EMC level A filter
- **Fan Run & Fault indication** via relay output contacts
- **Full Fan protection built-in** Motor overload and short circuit protection
- **Quick & Easy set-up** Program with integrated display
- **Versatile Demand Control** 0-10V signal input from sensors and BMS
- **IP54 versions** for use in Commercial areas such as kitchens



REB-CVF CONTROLLER

PREPARATION/COOK SWITCH

CONTROLLER AND SWITCH		
Code	Model	Trade Price
5401304100	REB-CVF 0-10V CONTROLLER	£121.96
L1000000681	PREPARATION/COOK SWITCH	£85.49

COMMERCIAL

Wall and window extract fans

HV-STYLVENT series

Complete range of axial flow fans for wall or window mounting applications. All the fans are supplied with tough ABS plastic grilles, shutter and single phase 230V- 50Hz motor. All the fans are class II insulation and IPX4 rated.

The HV-STYLVENT series comprises of 3 diameters: 150, 230 and 300 mm, including several operating options, making them ideally suited for a wide range of general residential, commercial and industrial exhaust or supply ventilation applications.



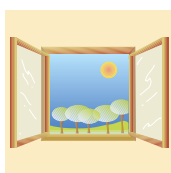
Shutter

To prevent air entry and limit heat leakage when the extractor is not operating.



Reversible

Extract or supply operation.



Natural ventilation position

Shutter open, fan off.

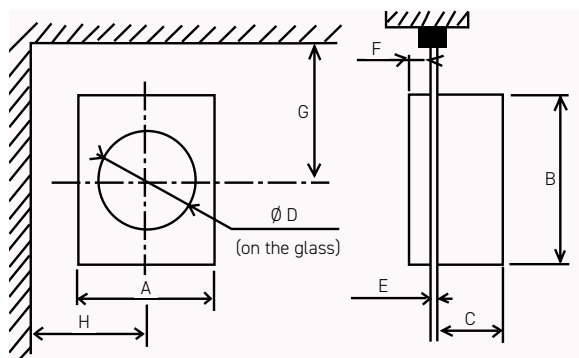
STYLVENT PRODUCT SUMMARY - OPERATIONAL SPECIFICATIONS

Model	Flush mounted	1 Speed	2 Speed	Reversible	Natural ventilation	Pull cord	Electrical accessories			Radio control
							REB-1R	CR-150	CR-300	
HV-150 M		•				•				
HV-230 M			•	•	•	•				
HV-300 M			•	•	•	•				
HV-150 AE		•								
HV-230 AE		•		•			•	•		
HV-300 AE		•		•			•	•		
HV-150 A		•			•			•		
HV-230 A			•	•	•					•
HV-300 A			•	•	•					•
HV-230 RC			•	•	•					•
HV-300 RC			•	•	•					•
HVE-230 AE	•	•		•			•			
HVE-230 A	•		•	•	•					•
HVE-230 RC	•		•	•	•					•

TECHNICAL DATA

Model	Speed (r.p.m.)	Maximum absorbed power (W)	Maximum absorbed current (A)	Airflow rate (m³/s)			Sound pressure level at 3 m (dB(A))		Weight (Kg)
				Extraction		Intake	High speed	Low speed	
				High speed	Low speed				
HV-150 AE	2350	30	0,19	0.066	-	-	39	-	2,0
HV-150 M	2350	30	0,19	0.066	-	-	39	-	2,0
HV-150 A	2350	30	0,19	0.066	-	-	39	-	2,0
HV-230 AE	1140	28	0,11	0.135	-	0.916	40	39	3,5
HVE-230 AE	1140	28	0,11	0.135	-	0.916	40	39	3,5
HV-230 M	1140	28	0,11	0.135	0.119	0.916	40	39	3,5
HV-230 A	1140	28	0,11	0.135	0.119	0.916	40	39	3,5
HVE-230 A	1140	28	0,11	0.135	0.119	0.916	40	39	3,5
HV-230 RC	1140	28	0,11	0.135	0.119	0.916	40	39	3,5
HVE-230 RC	1140	28	0,11	0.135	0.119	0.916	40	39	3,5
HV-300 AE	1150	68	0,30	0.305	-	0.194	46	-	5,1
HV-300 M	1150	68	0,30	0.305	0.208	0.194	46	38	5,1
HV-300 A	1150	68	0,30	0.305	0.208	0.194	46	38	5,1
HV-300 RC	1150	68	0,30	0.305	0.208	0.194	46	38	5,1

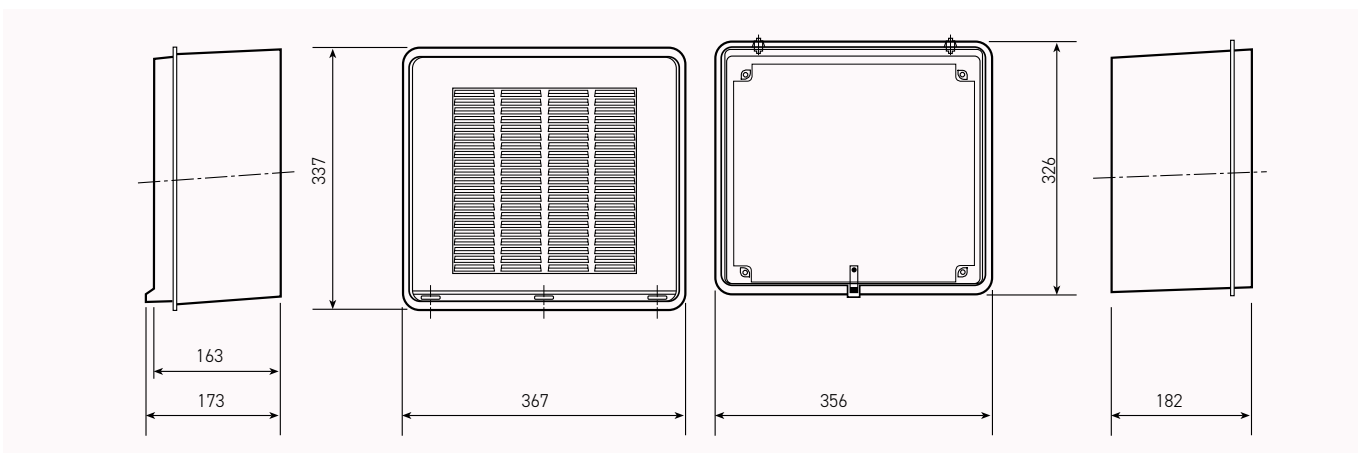
DIMENSIONS (mm)



Model	A	B	C	Ø D		E		F	G	H
				Min.	Max.	Min.	Max.			
HV-150	230	251	109	187	190	3	25	22	160	150
HV-230	300	325	142	259	262	3	25	22	200	185
HV-300	368	403	150	327	330	3	25	22	230	220

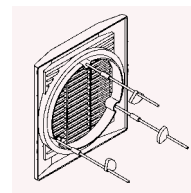
DIMENSIONS (mm)

Dimensions of the HVE "flush mounted" version



STYLVENT WALL & WINDOW FAN PRICES

Code	Model	Trade Price	Code	Controller options	Trade Price
6" (150mm) size					
5201482600	HV-150 AE	£103.74	5401256200	Control unit CR-150	£37.04
5201461000	HV-150 M	£118.48		Manual operation via fan pullcord	
5201476800	HV-150 A	£144.82	5401256200	Control unit CR-150	£37.04
9" (230mm) size					
5201470100	HV-230 AE	£181.19	5401279400	REB-1R	£176.09
5201505400	HVE-230 AE	£325.44	5401279400	REB-1R	£176.09
5201462800	HV-230 M	£227.82		Manual operation via fan pullcord	
5201477600	HV-230 A	£235.84	5401255400	Control unit CR-300	£54.08
5201504700	HVE-230 A	£341.58	5401255400	Control unit CR-300	£54.08
5201465100	HV-230 RC	£561.41		Remote Control unit Included with fan	
5201503900	HVE-230 RC	£610.24		Remote Control unit Included with fan	
12" (300mm) size					
5201471900	HV-300 AE	£202.63	5401279400	REB-1R	£176.09
5201463600	HV-300 M	£268.58		Manual operation via fan pullcord	
5201478400	HV-300 A	£355.46	5401255400	Control unit CR-300	£54.08
5201466900	HV-300 RC	£576.66		Remote Control unit Included with fan	



Threaded rod set
Threaded rods and sleeves for use when installing the HV fans on walls from 25 mm up to 300 mm thick.

Code	Model	Code	7 core Connection Cable	Trade Price	Code	Threaded Rods	Trade Price
6" (150mm) size							
5201482600	HV-150 AE				5201800900	HV Wall Kit threaded rods	£8.88
5201461000	HV-150 M				5201800900	HV Wall Kit threaded rods	£8.88
5201476800	HV-150 A				5201800900	HV Wall Kit threaded rods	£8.88
9" (230mm) size							
5201470100	HV-230 AE				5201800900	HV Wall Kit threaded rods	£8.88
5201505400	HVE-230 AE						
5201462800	HV-230 M				5201800900	HV Wall Kit threaded rods	£8.88
5201477600	HV-230 A	5201801700	Cable HV/CR-300 (10 m)	£59.09	5201800900	HV Wall Kit threaded rods	£8.88
5201504700	HVE-230 A	5201801700	Cable HV/CR-300 (10 m)	£59.09			
5201465100	HV-230 RC				5201800900	HV Wall Kit threaded rods	£8.88
5201503900	HVE-230 RC				5201800900	HV Wall Kit threaded rods	£8.88
12" (300mm) size							
5201471900	HV-300 AE				5201800900	HV Wall Kit threaded rods	£8.88
5201463600	HV-300 M				5201800900	HV Wall Kit threaded rods	£8.88
5201478400	HV-300 A	5201801700	Cable HV/CR-300 (10 m)	£59.09	5201800900	HV Wall Kit threaded rods	£8.88
5201466900	HV-300 RC				5201800900	HV Wall Kit threaded rods	£8.88

ELECTRICAL ACCESSORIES



CR-150
Control unit for HV-150 A
Fitted with:
- On/off switch for fan operation. (★-☒)
- On/Off switch for shutter operation.
- One single CR-150 unit can operate up to 5 HV-150 fans.



CR-300
Control unit for HV-230 A, HV-300 A and HVE-230 A
Fitted with:
- A selector for the different modes of fan operation (0,•,•,☒)
- A reversing switch to change the airflow direction (☒-☒ Supply Extract).
- One single CR-300 unit can operate up to 5 HV-230 or 300 fans.



REB-1R
Speed controller including a switch to reverse the airflow direction.
Only to be used with models HV-230 AE, HV-300 AE and HVE-230 AE Max 1A.

Model	Electrical supply		IP protection	Power (VA)	Maximum current (A)	Class	Temperature	Dimensions (mm)		
	Frequency (Hz)	Voltage (V)						W	H	D
REB-1R	50	220-240	IP40	400	1	Class II	0-40°C	160	88	58
Control unit CR-150								88	88	47
Control unit CR-300								158	88	57



Connection cable
A (7) core wire cable for the connection of models HV-230 A and HV-300 A to the remote control unit CR-300. (Supplied on 10m rolls as standard).



S&P VALUES

We get the job done

We demonstrate initiative and a 'can-do' approach to our work. We are all accountable for 'getting the job done' to exceed the expectations of our customers and colleagues.

Together we work better

We each make a difference but operate as a team with trust and integrity sharing our skills, knowledge and experience to deliver the best results and celebrate our success together.

Keep it simple

We listen. We are open, honest and straight forward and treat our customers and colleagues how they would like to be treated.

We value the quality of reputation

We are proud of our professional experience and culture. We work hard so our customers and collaborators recognise us as the world leaders in ventilation.

Opportunity for all

We value our people, encourage the development and equip them with skills, experience and confidence to be the best they can be.

RESIDENTIAL

BATHROOM EXTRACT FANS

SILENT-100 series



SILVER versions The SILENT-100 CZ and CRZ can be supplied with an aesthetical silver front grille.

Range of axial extractors with airflow rates of approx. 95 m³/h, for connection to 100 mm diameter circular ducting.

Motor mounted on silent-elastic-blocks which absorb the vibrations and allow offering very low noise level. All the fans are manufactured from injection moulded plastic, fitted with automatic shutter and single phase 230V-50Hz, class B low consumption motor equipped with thermal overload protection. All the fans are class II insulation, IP45 rated and suitable to operate with air temperature up to 40°C.



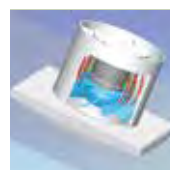
Back draft shutter

To prevent air entry and limit heat leakage when the extractor is not operating. It opens due to the pressure of the air.



Silent-blocks

Motor mounted on "Silent-elastic-block" to prevent vibration and noise transmission.



Quiet operation

In usual extract fans the vibrations are transmitted to the surrounding areas while in SILENT extractor fans the vibrations are absorbed by the Silent Blocks.



USUAL EXTRACTOR



WATER PROTECTED!



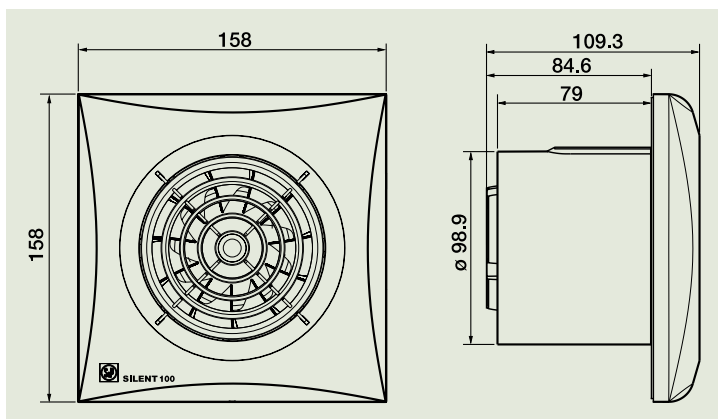
LOW NOISE!



ENERGY EFFICIENT!



DIMENSIONS (mm)



ACCESSORIES



PER-100W
Back draft shutter.



GRA-70
Aluminium exterior grille.



WALL KIT
Fixed shutter and telescopic duct. (200 to 420 m)



WINDOW KIT

MODEL FEATURES

MODEL FEATURES	CZ	CRZ	CRIZ	CHZ	CHZ VISUAL	CDZ	CZ 12V	CZ SILVER	CRZ SILVER	CHZ SILVER	CZ SILVER 12V
PILOT LIGHT	•	•	•	•	•	•	•			•	•
BACKDRAFT SHUTTER	•	•	•	•	•	•	•	•	•	•	•
ADJUSTABLE RUN-ON-TIMER (1-30 MIN)		•		•	•	•	•		•	•	•
AUTOMATIC TIMER			•								
ADJUSTABLE HUMIDISTAT				•	•					•	
DETECTOR MOVEMENT						•					
BALL BEARINGS	•	•	•	•	•	•	•	•	•	•	•
SILVER COLOUR								•	•	•	•

* Using CT-12/14R transformer

TECHNICAL CHARACTERISTICS

Model	Speed (r.p.m.)	Abs. power at free discharge (W)	Voltage (V) 50 Hz	Sound pressure level* (dB(A))	Airflow at free discharge (m ³ /s)	Insulation/ IP	Ø duct (mm)	Weight (Kg)
SILENT-100	2400	8	230	26,5	0.026	Class II / IP45	100	0,57
SILENT-100 12V	2320	13	12	26,5	0.026	Class III / IP57	100	0,57

* Sound pressure level measured at 3 m at free air conditions.

BATHROOM EXTRACT FANS

SILENT-100 ECOWATT series



Range of axial extractors with airflow rates of approx. 95 m³/h, high-performance, low consumption Brushless motors, for connection to 100 mm diameter circular ducting. Motor mounted on silent-elastic-blocks which absorb the vibrations and allow very low noise level. All the fans are manufactured from injection moulded plastic, fitted with automatic shutter and single phase 230V-50/60Hz, low consumption motor equipped with thermal overload protection. All the fans are class II insulation, IP45 rated and suitable to operate with air temperature up to 40°C. With consumption of only 5W, the SILENT ECOWATT series extractors are especially recommended for toilets, bathrooms and installations where the extractor will require long working hours resulting in a considerable reduction in energy costs.



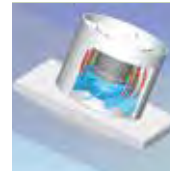
Back draft shutter

To prevent air entry and limit heat leakage when the extractor is not operating. It opens due to the pressure of the air.



Silent-blocks

Motor mounted on "Silent-elastic-block" to prevent vibration and noise transmission.



Quiet operation

In usual extract fans the vibrations are transmitted to the surrounding areas while in SILENT extractor fans the vibrations are absorbed by the Silent Blocks.



SFP >1.0W/l/s	IP45 WATER PROTECTED!	Lp 26,5 dB LOW NOISE!	5W! consumption ENERGY EFFICIENT!
PART L2: 2013 COMPLIANT			

KIT SILENT-100 12VDC ECOWATT + CT-12/6.

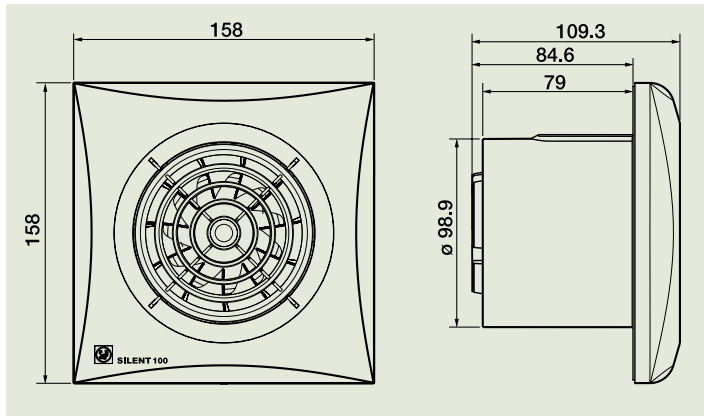


ENERGY EFFICIENT
VENTILATION SYSTEM

SILENT-100 12VDC ECOWATT + CT-12/6

Kit made up of SILENT-100 12VDC ECOWATT fan, fitted with 12VDC brushless motor and designed for operation at SELV, and a transformer CT-12/6.

DIMENSIONS (mm)



ACCESSORIES



PER-100W
Back draft shutter.



GRA-70
Aluminium exterior grille.



WALL KIT
Fixed shutter and telescopic duct. (200 to 420 m)



WINDOW KIT

MODEL FEATURES	CZ	CRZ	CHZ	CDZ	KIT SILENT-100 CZ 12VDC + CT-12/6	KIT SILENT-100 CRZ 12VDC + CT-12/6
DC MOTOR	•	•	•	•	•	•
PILOT LIGHT	•	•	•	•	•	•
BACKDRAFT SHUTTER	•	•	•	•	•	•
ADJUSTABLE RUN-ON-TIMER		•	•	•		•
ADJUSTABLE HUMIDISTAT			•			
PIR MOVEMENT DETECTOR				•		
SILVER COLOUR AVAILABLE	•	•	•	•	•	•

TECHNICAL CHARACTERISTICS

Model	Speed (r.p.m.)	Abs. power at free discharge (W)	Voltage (V) 50/60 Hz	Sound pressure level* (dB(A))	Airflow at free discharge (m ³ /s)	Insulation/ IP	Ø Duct (mm)	Weight (Kg)
SILENT-100 ECOWATT	2100	5	230	26,5	0.026	Class II / IP45	100	0,57
KIT SILENT-100 12VDC ECOWATT	2300	6	230	26,5	0.026	Class III / IP57 Class II / IP21**	100	0,57/0,48**

* Sound pressure level measured at 3m at free air conditions.

** SILENT/CT-12/6.

UTILITY ROOM AND BATHROOM EXTRACT FANS

SILENT-200 series



SILVER versions The SILENT-200 CZ and CRZ can be supplied with an aesthetic silver front grille.

Range of axial extractors with airflow rates of approx. 180 m³/h, for connection to 120 mm diameter circular ducting. Motor mounted on silent-elastic-blocks which absorb the vibrations and allow a very low noise level. All the fans are manufactured from injection moulded plastic, fitted with automatic shutter and single phase 230V-50Hz, class B low consumption motor equipped with thermal overload protection. All the fans are class II insulation, IP45 rated and suitable to operate with air temperature up to 40°C.

The SILENT-200 CZ and CRZ can be supplied with an aesthetical silver front grille.



WATER PROTECTED!



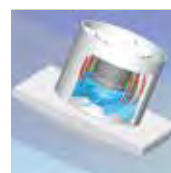
Back draft shutter

To prevent air entry and limit heat leakage when the extractor is not operating. It opens due to the pressure of the air.



Silent-blocks

Motor mounted on "Silent-elastic-block" to prevent vibration and noise transmission.



SILENT-100

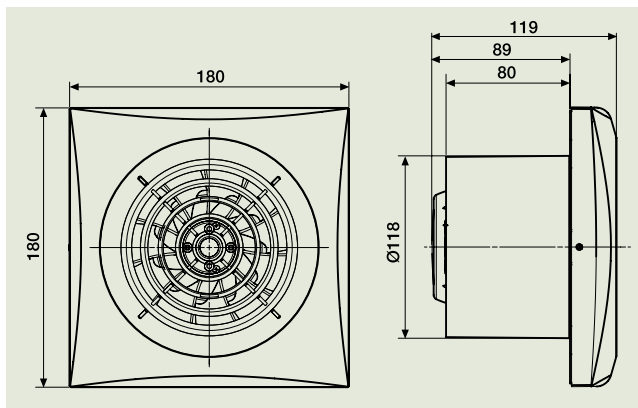


USUAL EXTRACTOR

Quiet operation

In usual extract fans the vibrations are transmitted to the surrounding areas while in SILENT extractor fans the vibrations are absorbed by the Silent Blocks.

DIMENSIONS (mm)



ACCESSORIES



PER-125W
Back draft shutter.



GRA-150
Aluminium exterior grille.



WINDOW KIT

MODEL FEATURES

	CZ	CRZ	CHZ	CZ SILVER	CRZ SILVER	CHZ SILVER
PILOT LIGHT	•	•	•	•	•	•
BACKDRAFT SHUTTER	•	•	•	•	•	•
ADJUSTABLE RUN-ON-TIMER (1-30MIN)		•	•		•	•
ADJUSTABLE HUMIDISTAT			•			•
BALL BEARINGS	•	•	•	•	•	•
SILVER COLOUR				•	•	•

TECHNICAL CHARACTERISTICS

Model	Speed (r.p.m.)	Abs. power at free discharge (W)	Voltage (V) 50 Hz	Sound pressure level* (dB(A))	Airflow at free discharge (m ³ /s)	Insulation / IP	Ø duct (mm)	Weight (Kg)
SILENT-200	2350	16	230	33	0.05	Class II / IP45	120	0,77

* Sound pressure level measured at 3 m at free air conditions.

KITCHEN AND UTILITY ROOM EXTRACT FANS

SILENT-300 series

SILVER versions The SILENT-300 CZ and CRZ can be supplied with an aesthetic silver front grille.

Range of axial extractors with airflow rates of approx. 280 m³/h, for connection to 150 mm diameter circular ducting.

Motor mounted on silent-elastic-blocks (SILENT-300) which absorb the vibrations and allow offering very low noise level. All the fans are manufactured from injection moulded plastic, fitted with automatic shutter and single phase 230V-50Hz, class B low consumption motor equipped with thermal overload protection. All the fans are class II insulation, IP45 rated and suitable to operate with air temperature up to 40°C.

The SILENT-300 CZ and CRZ can be supplied with an aesthetic silver front grille.



IP45

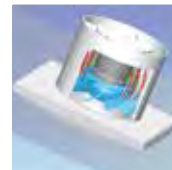
WATER PROTECTED!

**Back draft shutter**

To prevent air entry and limit heat leakage when the extractor is not operating. It opens due to the pressure of the air.

**Silent-blocks**

Motor mounted on "Silent-elastic-block" to prevent vibration and noise transmission.

**Quiet operation**

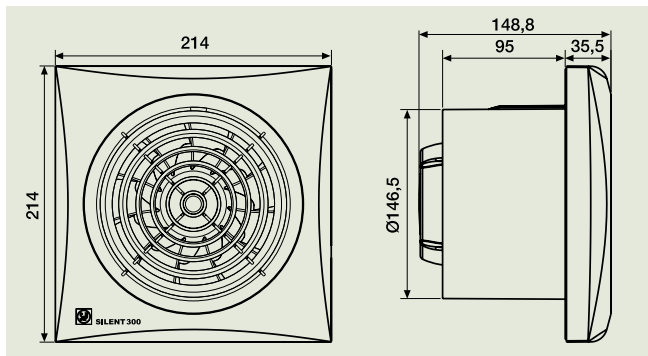
In usual extract fans the vibrations are transmitted to the surrounding areas while in SILENT extractor fans the vibrations are absorbed by the Silent Blocks.

SILENT-100



USUAL EXTRACTOR

DIMENSIONS (mm)



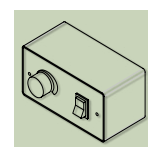
ACCESSORIES



PER-160W
Back draft shutter.



GRA-150
Aluminium exterior grille.



REB
Single phase electronic speed controllers.

MODEL FEATURES

MODEL FEATURES	CZ	CRZ	CHZ	CZ SILVER	CRZ SILVER	CHZ SILVER
PILOT LIGHT	•	•	•	•	•	•
BACKDRAFT SHUTTER	•	•	•	•	•	•
ADJUSTABLE RUN-ON-TIMER (1-30MIN)		•	•		•	•
ADJUSTABLE HUMIDISTAT			•			•
BALL BEARINGS	•	•	•	•	•	•
SILVER COLOUR				•	•	•

TECHNICAL CHARACTERISTICS

Model	Speed (r.p.m.)	Abs. power at free discharge (W)	Voltage (V) 50 Hz	Sound pressure level* (dB(A))	Airflow at free discharge (m ³ /s)	Insulation / IP	Ø duct (mm)	Weight (Kg)
SILENT-300	1700	29	230	32	0.077	Class II / IP45	150	1,25
SILENT-300 PLUS	2000	21	230	36	0.088	Class II / IP45	150	1,65

* Sound pressure level measured at 3 m at free air conditions.

SILENT 100 W.C./Bathroom Extract Prices

Code	Model	Trade Price	Code	Wall Kit	Trade Price	Code	Window Kit	Trade Price
Ultra Quiet Bathroom/WC Extract Fans								
5210400700	SILENT-100 CZ	£45.45	5211459200	WALL KIT 100mm	£20.28	5210000100	WINDOW KIT DECOR/SILENT-100	£26.11
5210401500	SILENT-100 CRZ	£80.34	5211459200	WALL KIT 100mm	£20.28	5210000100	WINDOW KIT DECOR/SILENT-100	£26.11
5210402300	SILENT-100 CHZ	£99.72	5211459200	WALL KIT 100mm	£20.28	5210000100	WINDOW KIT DECOR/SILENT-100	£26.11
5210313200	SILENT-100 CHZ VISUAL	£108.92	5211459200	WALL KIT 100mm	£20.28	5210000100	WINDOW KIT DECOR/SILENT-100	£26.11
5210406400	SILENT-100 CDZ	£99.72	5211459200	WALL KIT 100mm	£20.28	5210000100	WINDOW KIT DECOR/SILENT-100	£26.11
5210415500	SILENT-100 SILVER CZ	£52.02	5211459200	WALL KIT 100mm	£20.28	5210000100	WINDOW KIT DECOR/SILENT-100	£26.11
5210416300	SILENT-100 SILVER CRZ	£71.27	5211459200	WALL KIT 100mm	£20.28	5210000100	WINDOW KIT DECOR/SILENT-100	£26.11

12V SELV Ultra Quiet Bathroom/WC Extract Fans + 12V Transformer

5210408000	SILENT-100 CZ 12V	£84.58	5211459200	WALL KIT 100mm	£20.28	5210000100	WINDOW KIT DECOR/SILENT-100	£26.11
5401261200	CT-12/14 SELV Transformer	£54.87						
5401292700	CT-12/14-R SELV Transformer with Timer	£69.65						

Low Energy Ultra Quiet Bathroom/WC Extract Fans

5210610000	SILENT-100 CZ ECOWATT	£89.83	5211459200	WALL KIT 100mm	£20.28	5210000100	WINDOW KIT DECOR/SILENT-100	£26.11
5210610200	SILENT-100 CRZ ECOWATT	£114.46	5211459200	WALL KIT 100mm	£20.28	5210000100	WINDOW KIT DECOR/SILENT-100	£26.11
5210610300	SILENT-100 CDZ ECOWATT	£149.09	5211459200	WALL KIT 100mm	£20.28	5210000100	WINDOW KIT DECOR/SILENT-100	£26.11
5210610100	SILENT-100 CHZ ECOWATT	£135.54	5211459200	WALL KIT 100mm	£20.28	5210000100	WINDOW KIT DECOR/SILENT-100	£26.11

SILENT 200 Utility Room Extract Fan Prices

Code	Model	Trade Price	Aluminium Grille	Trade Price	Back Draught Shutter	Trade Price	Window Kit Silent 200	Trade Price
5210424700	SILENT-200 CZ	£73.15	GRA-150	£6.45	PER-125 W	£17.03	5210000200	£25.97
5210425400	SILENT-200 CRZ	£87.81	GRA-150	£6.45	PER-125 W	£17.03	5210000200	£25.97
5210426200	SILENT-200 CHZ	£112.20	GRA-150	£6.45	PER-125 W	£17.03	5210000200	£25.97

SILENT 300 Kitchen / Utility Room Extract Fan Prices

Code	Model	Trade Price	Aluminium Grille	Trade Price	Back Draught Shutter	Trade Price
5210417100	SILENT-300 CZ	£99.35	GRA-150	£6.45	PER-160 W	£28.19
5210418900	SILENT-300 CRZ	£126.41	GRA-150	£6.45	PER-160 W	£28.19
5210421300	SILENT-300 CHZ	£144.70	GRA-150	£6.45	PER-160 W	£28.19
5210419700	SILENT-300 CZ PLUS	£118.03	GRA-150	£6.45	PER-160 W	£28.19
5210420500	SILENT-300 CRZ PLUS	£126.31	GRA-150	£6.45	PER-160 W	£28.19
5210431200	SILENT-300 CHZ PLUS	£142.68	GRA-150	£6.45	PER-160 W	£28.19



BATHROOM EXTRACT FANS
SILENT-100 DESIGN series



Range of axial extractors with airflow rates of approx. 85 m³/h, for connection to 100 mm diameter circular ducting. Motor mounted on silent-elastic-blocks which absorb the vibrations and allow very low noise level. All the fans are manufactured from injection moulded plastic, fitted with automatic shutter and single phase 230V-50Hz, class B low consumption motor equipped with thermal overload protection. All the fans are class II insulation, IP45 rated and suitable to operate with air temperature up to 40°C.



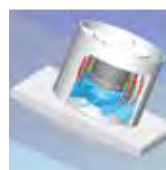
Back draft shutter

To prevent air entry and limit heat leakage when the extractor is not operating. It opens due to the pressure of the air.



Silent-blocks

Motor mounted on "Silent-elastic-block" to prevent vibration and noise transmission.



Quiet operation

In usual extract fans the vibrations are transmitted to the surrounding areas while in SILENT extractor fans the vibrations are absorbed by the Silent Blocks.



USUAL EXTRACTOR



WATER PROTECTED!



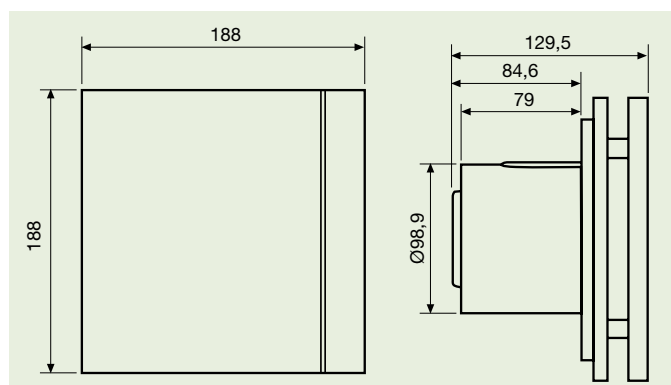
LOW NOISE!



ENERGY EFFICIENT!



DIMENSIONS (mm)



ACCESSORIES



WALL KIT
 Fixed shutter and telescopic duct. (200 to 420 m)



WINDOW KIT

MODEL FEATURES	CZ DESIGN 3C	CRZ DESIGN 3C	CHZ DESIGN 3C
PILOT LIGHT	•	•	•
BACKDRAFT SHUTTER	•	•	•
ADJUSTABLE RUN-ON-TIMER (1-30MIN)		•	•
ADJUSTABLE HUMIDISTAT			•
BALL BEARINGS	•	•	•
KIT BAR LIGHTS 4 COLOURS	•	•	•

TECHNICAL CHARACTERISTICS

Model	Absorbed power at free discharge (W)	Voltage (V) 50 Hz	Sound pressure level* (dB(A))	Airflow at free discharge (m ³ /s)	Insulation/ IP	Ø duct (mm)	Weight (kg)
SILENT-100 DESIGN 3C	8	230	26,5	0.023	Class II / IP45	100	0,65
KIT SILENT-100 DESIGN 12V** 3C	12	12	26,5	0.022	Class III / IP57	100	0,65

* Sound pressure level measured at 3 m at free air conditions.

** Delivered with CT-12/14 transformer.

SWAROVSKI versions: Elegant and innovative design.
Supplied with a front grille with a swarovski bar.



CHAMPAGNE

SILVER



Interchangeable colour bars
Interchangeable colour bars. 4 colours to match the decor of the room: blue, red, green and yellow.

Models 3C



Black

Grey

Champagne

Gold



SILENT-100 CZ DESIGN 4C:
Different colours available.
4C models incorporate 5 interchangeable colour bars (transparent, blue, green, red and yellow).

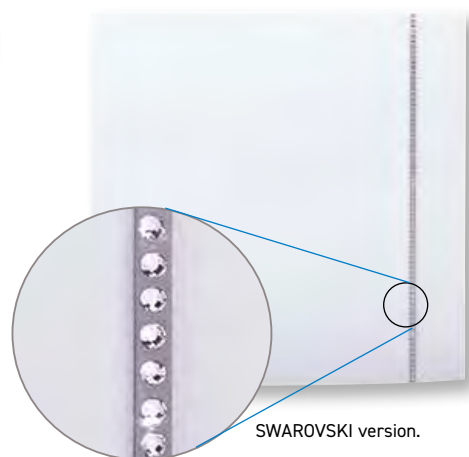


Champagne
SWAROVSKI version.

Red
SWAROVSKI version.

Marble white
SWAROVSKI version.

Marble black
SWAROVSKI version.



SWAROVSKI version.

Standard Lead times apply
Not available on Next Day service

SILENT-100 DESIGN Prices

Code	Model	Trade Price
5210601800	SILENT-100 CZ DESIGN	£56.81
5210601900	SILENT-100 CRZ DESIGN	£100.41
5210602000	SILENT-100 CHZ DESIGN	£124.67
5210602600	SILENT-100 CZ DESIGN SILVER	£63.37
5210602700	SILENT-100 CRZ DESIGN SILVER	£112.37
5210602800	SILENT-100 CHZ DESIGN SILVER	£136.17
MODELS WITH DECORATIVE GRILLES		
5210607400	SILENT-100 CZ BLACK DESIGN-4C	£107.69
5210607300	SILENT-100 CZ GREY DESIGN-4C	£107.69
5210607200	SILENT-100 CZ CHAMPAGNE DESIGN-4C	£107.69
5210611800	SILENT-100 CZ RED DESIGN-4C	£107.69
5210612000	SILENT-100 CZ WHITE MARBLE DESIGN-4C	£117.01
5210611900	SILENT-100 CZ BLACK MARBLE DESIGN-4C	£117.01
5210622300	SILENT-100 CZ WHITE DESIGN SWAROVSKI	£118.50
5210622400	SILENT-100 CZ SILVER DESIGN SWAROVSKI	£118.50
5210622500	SILENT-100 CZ CHAMPAGNE DESIGN SWAROVSKI	£118.50
5210625400	SILENT-100 CZ BLACK DESIGN SWAROVSKI	£127.52
5210625500	SILENT-100 CZ IVORY DESIGN SWAROVSKI	£118.50

SILENT-100 DESIGN ECOWATT Prices

Code	Model	Trade Price
5210610800	SILENT-100 DESIGN CZ ECOWATT	£100.33
5210611000	SILENT-100 DESIGN CRZ ECOWATT	£129.68
5210610900	SILENT-100 DESIGN CHZ ECOWATT	£153.56
5210614100	SILENT-100 DESIGN CZ ECOWATT (SILVER)	£111.94
5210614200	SILENT-100 DESIGN CRZ ECOWATT (SILVER)	£142.64
5210614300	SILENT-100 DESIGN CHZ ECOWATT (SILVER)	£166.53

KIT SILENT-100 DESIGN 12VDC ECOWATT models POA

ALL MODELS

		Trade Price
5210000100	WINDOW KIT DECOR/SILENT-100	£26.11

ALL MODELS

		Trade Price
5211459200	WALL KIT 100mm	£20.28

ALL MODELS

		Trade Price
5210000100	WINDOW KIT DECOR/SILENT-100	£26.11

ALL MODELS

		Trade Price
5211459200	WALL KIT 100mm	£20.28

BATHROOM EXTRACT FANS SILENT 100 DESIGN ECOWATT series



Range of axial extractors with airflow rates of approx. 85 m³/h, high-performance, low consumption Brushless motors, for connection to 100 mm diameter circular ducting. Motor mounted on silent-elastic-blocks which absorb the vibrations and allow very low noise level. All the fans are manufactured from injection moulded plastic, fitted with automatic shutter and single phase 230V-50/60Hz, low consumption motor equipped with thermal overload protection. All the fans are class II insulation, IP45 rated and suitable to operate with air temperature up to 40°C. With consumption of only 5W, the SILENT ECOWATT series extractors are especially recommended for toilets, bathrooms and installations where the extractor will require long working hours resulting in a considerable reduction in energy costs.



WATER PROTECTED!



LOW NOISE!



ENERGY EFFICIENT!



SILENT-100 DESIGN 12VDC ECOWATT + CT-12/6

Kit made up of SILENT-100 DESIGN 12VDC ECOWATT fan, fitted with 12VDC brushless motor and designed for operation at SELV, and a transformer CT-12/6.



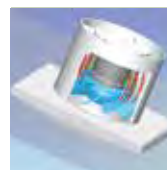
Back draft shutter

To prevent air entry and limit heat leakage when the extractor is not operating. It opens due to the pressure of the air.



Silent-blocks

Motor mounted on "Silent-elastic-block" to prevent vibration and noise transmission.



SILENT-100

Quiet operation

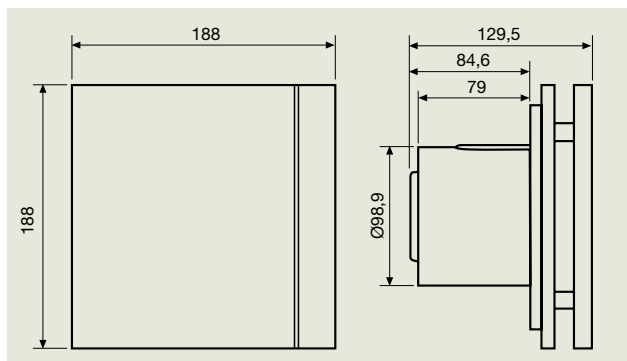
In usual extract fans the vibrations are transmitted to the surrounding areas while in SILENT extractor fans the vibrations are absorbed by the Silent Blocks.



Interchangeable bar colours

Interchangeable bar colours let the fan blend in with every setting. 4 colours to match the decor of the room: blue, red, green and yellow.

DIMENSIONS (mm)



MODEL FEATURES

MODEL FEATURES	CZ	CRZ	CHZ	KIT SILENT-100 CZ DESIGN 12VDC + CT-12/6 ECOWATT	KIT SILENT 100 CRZ DESIGN 12VDC + CT-12/6 ECOWATT	KIT SILENT 100 CHZ DESIGN 12VDC + CT-12/6 ECOWATT
DC MOTOR	•	•	•	•	•	•
PILOT LIGHT	•	•	•	•	•	•
BACKDRAFT SHUTTER	•	•	•	•	•	•
ADJUSTABLE RUN-ON-TIMER		•	•		•	•
ADJUSTABLE HUMIDISTAT			•			•
SILVER COLOUR	•	•	•	•	•	•

TECHNICAL DATA

Model	Speed (r.p.m.)	Abs. power at free discharge (W)	Voltage (V) 50/60 Hz	Sound pressure level* (dB(A))	Airflow at free discharge (m ³ /s)	Insulation/ IP	Ø duct (mm)	Weight (Kg)
SILENT-100 DESIGN ECOWATT	2100	5	230	26,5	0.023	Class II / IP45	100	0,65
KIT SILENT-100 DESIGN 12VDC ECOWATT	2100	8	230	29	0.025	Class III/IP57/ Class II/IP21 **	100	0,65/0,48**

* Sound pressure level measured at 3 m at free air conditions.
** SILENT/CT-12/6.

UTILITY ROOM & BATHROOM EXTRACT FANS

SILENT 200 DESIGN series



Range of axial extractors with airflow rates of approx. 175 m³/h, for connection to 120 mm diameter circular ducting.

Motor mounted on silent-elastic-blocks which absorb the vibrations and allow offering very low noise level. All the fans are manufactured from injection moulded plastic, fitted with automatic shutter and single phase 230V-50Hz, class B low consumption motor equipped with thermal overload protection. All the fans are class II insulation, IP45 rated and suitable to operate with air temperature up to 40°C.



IP45

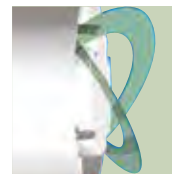
PROTECTION

Lp
35
dB

LOW NOISE

16W!
consumption

ENERGY
EFFICIENT



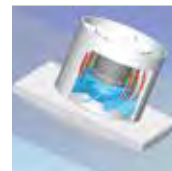
Back draft shutter

To prevent air entry and limit heat leakage when the extractor is not operating. It opens due to the pressure of the air.



Silent-blocks

Motor mounted on "Silent-elastic-block" to prevent vibration and noise transmission.



SILENT-200 DESIGN-3C

Quiet operation

In usual extract fans the vibrations are transmitted to the surrounding areas while in SILENT extractor fans the vibrations are absorbed by the Silent Blocks.



USUAL EXTRACTOR



SILVER versions can be supplied with an aesthetic silver front grille.



Different styles with the bar colours.



Interchangeable bar colours

Interchangeable bar lights let the fan blend in with every setting. 4 colours to match the decor of the room: blue, red, green and yellow.

UTILITY ROOM & BATHROOM EXTRACT FANS
SILENT 200 DESIGN series

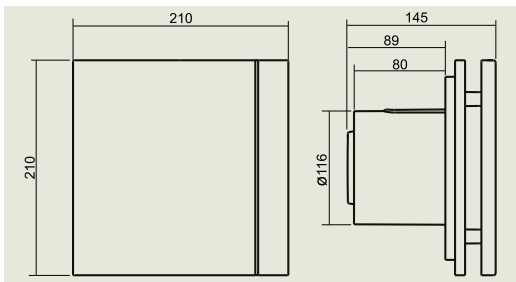
MODEL FEATURES	CZ DESIGN 3C	CRZ DESIGN 3C	CHZ DESIGN 3C	CZ SILVER DESIGN 3C	CRZ SILVER DESIGN 3C	CHZ SILVER DESIGN 3C
PILOT LIGHT	•	•	•	•	•	•
BACKDRAFT SHUTTER	•	•	•	•	•	•
ADJUSTABLE RUN-ON-TIMER (1-30MIN)		•	•		•	•
ADJUSTABLE HUMIDISTAT			•			•
BALL BEARINGS	•	•	•	•	•	•
SILVER COLOUR				•	•	•
KIT BARS 4 COLOURS	•	•	•	•	•	•

TECHNICAL DATA

Model	Abs. power at free discharge (W)	Voltage (V) 50 Hz	Sound pressure level* (dB(A))	Airflow at free discharge (m³/s)	Insulation / IP	Ø duct (mm)	Weight (Kg)
SILENT-200 DESIGN-3C	16	230	35	0.048	Class II / IP45	120	0,88

* Sound pressure level measured at 3m at free air conditions.

DIMENSIONS (mm)



ACCESSORIES



GRA-150
Aluminium exterior grille.



PER-125W
Back draft shutter.



WINDOW KIT

SILENT 200 DESIGN Utility Room Extract Fan Prices								
Code	Model	Trade Price	Aluminium Grille	Trade Price	Back Draught Shutter	Trade Price	Window Kit Silent 200	Trade Price
5210604000	SILENT-200 DESIGN CZ-3C	£87.79	GRA-150	£6.45	PER-125 W	£17.03	5210000200	£25.97
5210604100	SILENT-200 DESIGN CRZ-3C	£105.36	GRA-150	£6.45	PER-125 W	£17.03	5210000200	£25.97
5210604200	SILENT-200 DESIGN CHZ-3C	£134.62	GRA-150	£6.45	PER-125 W	£17.03	5210000200	£25.97
5210605900	SILENT-200 DESIGN SILVER CZ-3C	£96.57	GRA-150	£6.45	PER-125 W	£17.03	5210000200	£25.97
5210606100	SILENT-200 DESIGN SILVER CRZ-3C	£115.88	GRA-150	£6.45	PER-125 W	£17.03	5210000200	£25.97
5210606000	SILENT-200 DESIGN SILVER CHZ-3C	£148.08	GRA-150	£6.45	PER-125 W	£17.03	5210000200	£25.97



UTILITY ROOM & KITCHEN EXTRACT FANS

SILENT 300 DESIGN series



SILVER version.
All versions available with Silver front cover.

Range of axial extractors with airflow rates up to 300 m³/h, for connection to 150-160 mm diameter circular ducting.

Motor mounted on silent-elastic-blocks which absorb the vibrations and allow very low noise level (SILENT-300 DESIGN). All the fans are manufactured from injection moulded plastic, fitted with automatic shutter and single phase 230V-50Hz, class B low consumption motor equipped with thermal overload protection.

All the fans are class II insulation, IP45 rated and suitable to operate with air temperature up to 40°C.

Version SILENT-300 PLUS DESIGN for increased performance.

Versions with electronic timer (CRZ) or adjustable hygrosstat (CHZ).



PROTECTION



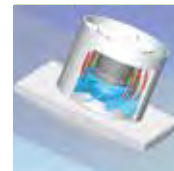
Back draft shutter

To prevent air entry and limit heat leakage when the extractor is not operating. It opens due to the pressure of the air.



Silent-blocks

Motor mounted on "Silent-elastic-block" to prevent vibration and noise transmission. (SILENT-300 DESIGN)



SILENT-300 DESIGN-3C



USUAL EXTRACTOR

Quiet operation

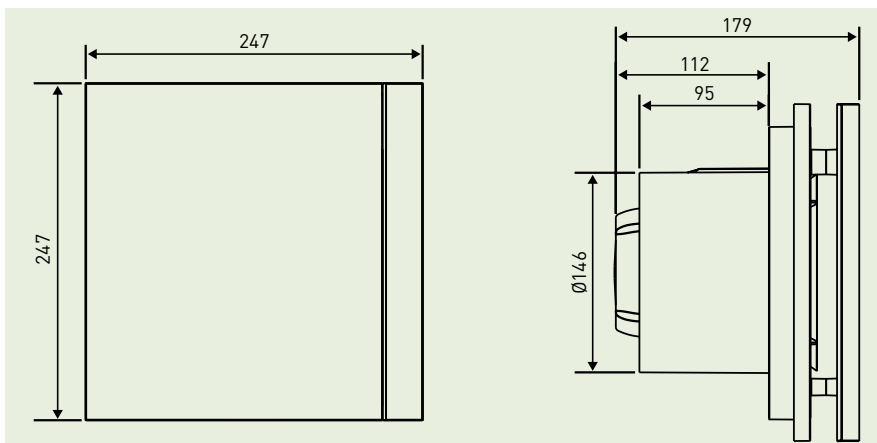
In usual extract fans the vibrations are transmitted to the surrounding areas while in SILENT extractor fans the vibrations are absorbed by the Silent Blocks.



Interchangeable colour bars

Interchangeable bar lights let the fan blend in with every setting. 4 colours to match the decor of the room: blue, red, green and yellow.

DIMENSIONS (mm)



UTILITY ROOM & KITCHEN EXTRACT FANS

SILENT 300 DESIGN series

MODEL FEATURES	CZ DESIGN 3C	CRZ DESIGN 3C	CHZ DESIGN 3C
PILOT LIGHT	•	•	•
BACKDRAFT SHUTTER	•	•	•
ADJUSTABLE RUN-ON-TIMER (1-30MIN)		•	•
ADJUSTABLE HUMIDISTAT			•
BALL BEARINGS	•	•	•
SILVER FRONT COVER	•	•	•

ACCESSORIES



GRA-150
Aluminium exterior grille.



PER-160W
Back draft shutter.



REB
Single phase electronic speed controllers.

TECHNICAL CHARACTERISTICS

Model	Maximum absorbed power (W)	Voltage (V) 50 Hz	Sound pressure level* (dB(A))	Airflow at free discharge (m³/s)	Insulation/ IP	Ø duct (mm)	Weight (kg)
SILENT-300 DESIGN	26	230	38	0.069	Class II/IP45	150-160	1,5
SILENT 300 PLUS DESIGN	22	230	42	0.083	Class II/IP45	150-160	1,9

* Sound pressure level measured at 3m at free air conditions.

SILENT 300 DESIGN Utility Room Extract Fan Prices

Code	Model	Trade Price	Aluminium Grille	Trade Price	Back Draught Shutter	Trade Price
5210623800	SILENT-300 CZ DESIGN-3C	£107.90	GRA-150	£6.45	PER-160W	£28.19
5210623900	SILENT-300 CRZ DESIGN-3C	£145.16	GRA-150	£6.45	PER-160W	£28.19
5210624000	SILENT-300 CHZ DESIGN-3C	£164.78	GRA-150	£6.45	PER-160W	£28.19
5210624100	SILENT-300 CZ SILVER DESIGN-3C	£117.86	GRA-150	£6.45	PER-160W	£28.19
5210624200	SILENT-300 CRZ SILVER DESIGN-3C	£155.11	GRA-150	£6.45	PER-160W	£28.19
5210624300	SILENT-300 CHZ SILVER DESIGN-3C	£174.74	GRA-150	£6.45	PER-160W	£28.19
SILENT 300 PLUS DESIGN Models						
5210622700	SILENT-300 CZ PLUS DESIGN-3C	£116.58	GRA-150	£6.45	PER-160W	£28.19
5210622800	SILENT-300 CRZ PLUS DESIGN-3C	£187.61	GRA-150	£6.45	PER-160W	£28.19
5210622900	SILENT-300 CHZ PLUS DESIGN-3C	£171.40	GRA-150	£6.45	PER-160W	£28.19



BATHROOM, UTILITY ROOM & KITCHEN CENTRIFUGAL EXTRACT FANS
EBB N series

2
SPEEDS



EBB-100 N
for Bathrooms



EBB-170 N
for utility rooms
and EBB-250 N
for kitchens

The EBB-N extractor fans are suitable for many domestic and commercial ventilation applications where higher system resistance pressures are encountered. The range comprises of three models, EBB-100N, EBB-170N and EBB-250N, each available in different versions. The EBB-N models incorporate a forward curved centrifugal impeller with 2-speed single phase motor 230V50Hz, 4-pole (EBB-170N and 250N) or 2-pole motor (EBB-100N). IP44. Class II. Housing and impeller made in polypropylene. Suitable to operate with air temperature up to 40°C.



Filters

Two metal filters (stainless for models 170 and 250) that keep out dust and dirt in the exhaust.



Back draft shutter

The EBB-N are fitted with an automatic back draft shutter to prevent air entry and limit heat leakage when the extractor is not operating.



2 Back draft shutters

2 back draft shutters of Ø80 and Ø100 mm.



Forward curved centrifugal impeller

To deliver high performance with a minimum noise level against high static pressure system resistance.

TECHNICAL CHARACTERISTICS

Model	Speed (r.p.m.)		Maximum power absorbed (W)	Maximum current absorbed (A)	Maximum air volume (m³/s)	Sound pressure level at 3m (dB(A))	Insulation IP	Ø duct (mm)	Weight (Kg)
EBB-100 N	HS	1500	29	0.13	0,03	44	Class II / IP44	100/80	1,8
	LS	1040	15	0.06	0.019	34			
EBB-170 N	HS	1120	48	0.23	0.063	43	Class II / IP44	100	3
	MS	850	38	0.16	0.044	37			
	LS	910	31	0.13	0.025	34			
EBB-250 N	HS	1240	53	0.23	0.077	46	Class II / IP44	100	3
	MS	990	41	0.17	0.058	36			
	LS	930	31	0.13	0.03	37			

	S	T	HT
BACK DRAFT SHUTTER			EBB-170 N / EBB-250 N
2 BACK DRAFT SHUTTERS	EBB-100 N	EBB-100 N	EBB-100 N
METAL FILTERS	EBB-100 N	EBB-100 N	EBB-100 N
STAINLESS FILTERS			EBB-170 N / EBB-250 N
TWO SPEED	•	•	•
ADJUSTABLE RUN-ON-TIMER		•	•
INTERNAL HUMIDISTAT			•



EBB-100N Centrifugal Bathroom Fan Prices

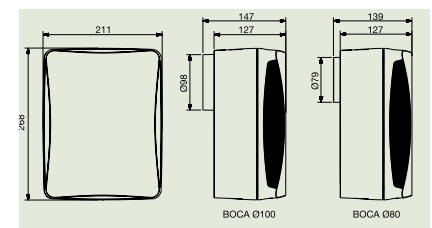
Code	Model	Trade Price	Code	Model	Trade Price
5211944400	EBB-100 N S	£90.88	5211459200	WALL KIT 100mm	£20.28
5211944500	EBB-100 N T	£119.45	5211459200	WALL KIT 100mm	£20.28
5211944600	EBB-100 N HT	£211.23	5211459200	WALL KIT 100mm	£20.28

EBB-170N Centrifugal Utility Room Fan Prices

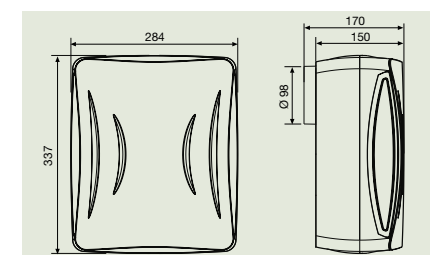
Code	Model	Trade Price	Code	Model	Trade Price
5211853600	EBB-170 N S	£119.75	5211459200	WALL KIT 100mm	£20.28
5211854400	EBB-170 N T	£126.89	5211459200	WALL KIT 100mm	£20.28
5211713300	EBB-170 N DV	£132.63	5211459200	WALL KIT 100mm	£20.28
5211855100	EBB-170 N HT	£189.50	5211459200	WALL KIT 100mm	£20.28

EBB 250N Centrifugal Kitchen Fan Prices

Code	Model	Trade Price	Code	Model	Trade Price
5211850200	EBB-250 N S	£163.96	5211459200	WALL KIT 100mm	£20.28
5211851000	EBB-250 N T	£221.87	5211459200	WALL KIT 100mm	£20.28
5211732300	EBB-250 N DV	£182.05	5211459200	WALL KIT 100mm	£20.28
5211852800	EBB-250 N HT	£258.60	5211459200	WALL KIT 100mm	£20.28



EBB-100N



EBB-170 N and EBB-250 N

IN-LINE DUCT FANS SILENTUB 100 & TD IN-LINE VENTILATION KITS



Back draft shutter
SILENTUB-100 is fitted with an automatic back draft shutter to prevent air entry and limit heat leakage when the extractor is not operating.

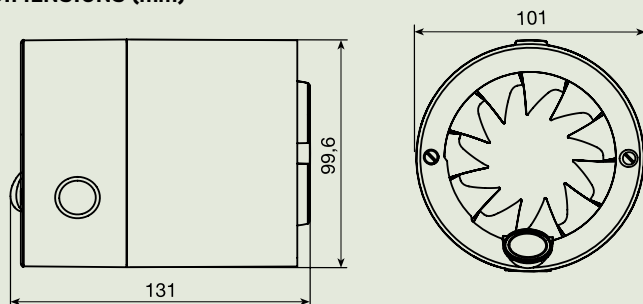


Silent-blocks
Motor mounted on silent-elastic block to absorb vibrations and reduce noise transmissions.

SILENTUB 100
In-line axial fan offering a very low noise level and specifically designed to work through a duct or to be flush mounted into the wall, ideal for ventilating small areas or to exchange heat between adjoining rooms. Fitted with single phase motors 230V-50Hz, IP44, Class II, with ball bearings for enhanced working life and assembled on silent-blocks.

TD IN-LINE VENTILATION KIT
Contents: TD-MIXVENT In-line fan
Flexible ducting & Duct tape
Adjustable room vent and
External grille

DIMENSIONS (mm)



ACCESSORIES



**Mounting foot
PIE-100/120**
Support for wall fixing
(accessory)



PER-100W
Exterior back
draft shutter.



GR-100
Plastic exterior
grille.

TECHNICAL DATA

Model	Speed (r.p.m.)	Maximum absorbed power (W)	Ø duct (mm)	Air volume at free discharge (m ³ /s)	Sound pressure level at 3m (dB(A))	Weight (Kg)
SILENTUB-100	2450	12	100	0.027	31	0,5

* Sound pressure level measured at 1,5 m, at the fan inlet, in free field.

In Line Bathroom Fan & Kit Prices

Code	Model	Trade Price
5210316500	SILENTUB-100	£46.44
5211502900	TDM-100	£41.11
5416726500	PIE-100/120 Mounting foot	£4.19
TD In-line ventilation kits		
5211225700	TD-160/100N Kit	£110.60
5211397400	TD-250/100 Kit	£134.57
5211209100	TD-250/100 T Kit	£162.00



DECENTRALISED MECHANICAL EXTRACT VENTILATION

ECOAIR DESIGN ECOWATT series



consumption
7W!

Lp 3m
35
dB



Energy efficient! Low noise!

SAP
Appendix Q
ELIGIBLE

ENERGY EFFICIENT
e
VENTILATION SYSTEM

Range of 100mm domestic centrifugal extract fans for wall or ceiling installations, designed for constant volume continuously running operation with wired boost option, in utility rooms, bathrooms and WC's.

Fitted with DC motors mounted on silent elastic blocks, the fans deliver incredibly silent running and exceptional performance with stylish features and very low power consumption significantly reducing energy costs.

The ECOAIR models incorporate a centrifugal forward curved impeller with single phase motor 230V-50Hz, IPX4, Class II.



DC Brushless motor
Constant running operation
Constant airflow

Centrifugal forward curved impeller

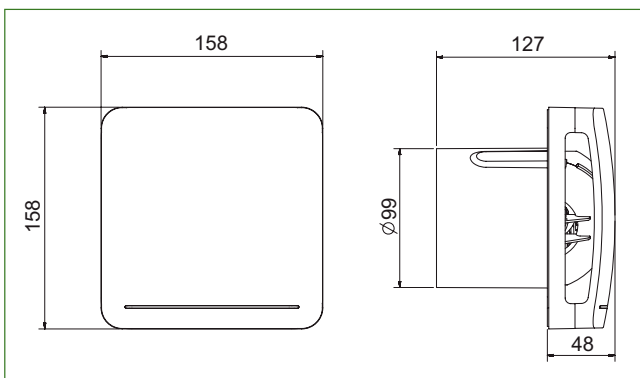
Different styles with the bar colours



Centrifugal forward curved impeller, with very low noise.

Interchangeable bar colours let the fan blend in with every setting. 4 colours to match the decor of the room: blue, red, green and yellow.

Dimensions (mm)



TECHNICAL DATA

Model	Constant air volume		Absorbed power (W)		SFP* (W/l/s)	Sound pressure level (dB(A))**		Weight (kg)
	(m³/h)	l/s	min.	max.		min.	max.	
ECOAIR DESIGN ECOWATT	15	4	1.5	4.5	0.36	<20	23	0.57
	22	6	1.8	4.7	0.29	<20	25	
	30	9	2.2	5.1	0.26	20	28	
	36	10	2.7	5.5	0.27	24	30	
	45	13	3.5	6.0	0.31	28	33	
Maximum air volume - by means of switch								
	65	18	4.3	7.2	410	35	35	

* Following SAP Q Standard (2.5 m length of 100 mm circular duct diameter, 290° bends and GR-100 grille at the discharge - max. 20 Pa)

** Measured at 3m, in free field condition. The maximum sound pressure level is given at 40Pa.

TECHNICAL CHARACTERISTICS

Model		Maximum airflow		Voltage (V)	Maximum absorbed power (W)	SFP (W/m²/s)	Sound pressure level* (dB(A))	IP/ Insulation	Weight (kg)
		(m³/h)	l/s						
EcoAIR LC	min. speed	15	4	230-50/60Hz	0,8	0,05	<20	IPX4 class II	0,57
	max. speed	60	17		5,6	0,09			

* Measured at 3m, at the maximum air volume, in free field condition.

DECENTRALISED MECHANICAL EXTRACT VENTILATION (dMEV)

ECOAIR LC series

Range of 100mm domestic centrifugal extract fans for wall or ceiling installations, designed to work in accordance with two different operating modes:

- Continuously running operation which can be boosted with external or internal switch depending on the models.
- Intermittent operation with adjustable speed at installation.

Fitted with DC motors mounted on silent elastic blocks, the fans deliver incredibly silent running and exceptional performance with stylish features and very low power consumption significantly reducing energy costs.

5 models available

EcoAIR SLC: Continuous operation: the unit runs on trickle setting and can be boosted by an external switch. Intermittent operation: the unit runs on preset speed when external switch is turned on.

EcoAIR TLC: Continuous operation: Same operation than the SLC model, with an adjustable run-on timer, set to between 1 to 30 minutes, on the boost. Intermittent operation: The timer allows the fan to continue to operate for the selected period after the switch has been turned off.

EcoAIR HLC: Continuous operation: The boost operation is activated either by the adjustable integral humidity sensor or by an external switch both with timer. Intermittent operation: the humidistat causes the extractor to operate automatically when the humidity level in the room is higher than the set level, with the facility to override the hygrostat by means of an external switch. "Interval" functions also integrated.

EcoAIR MLC: Same operation than H model but using the internal pullcord instead of the external switch.

EcoAIR DLC: Continuous operation: The boost operation is activated by the PIR detector and continues to operate after the selected period set on the timer. Intermittent operation: The extractor starts automatically when a movement is detected by the PIR detector and continues to operate after the selected period set on the timer.

EcoAIR LC ECOWATT

230V 50/60Hz
IPX4 - ☐



Centrifugal forward curved impeller
Centrifugal forward curved impeller, with an extremely low sound level.



GR-100
Plastic grille



Silent-elastic-blocks
Motor mounted on "Silent-elastic-block" to prevent vibration and noise transmission.



GRA-70
Aluminium grille



Wall or ceiling installation.



PER-100W
Back draft shutter



PART L2: 2013 COMPLIANT



LONG LIFE LOW ENERGY



LOW NOISE



ENERGY EFFICIENT

Model features	ECOAIR DESIGN ECOWATT				ECOAIR LC SERIES				
	S	T	H	M	SLC	TLC	HLC	MLC	DLC
DC motor	•	•	•	•	•	•	•	•	•
Adjustable constant volume	•	•	•	•					
Continuous Operation Plus Boost					•	•	•	•	•
Adjustable run-on-timer		•	•	•		•	•	•	•
Adjustable humidistat			•	•			•	•	
Integral pullcord (on/off)				•				•	
PIR detector									•
Backdraft Shutter*					•	•	•	•	•

* Supplied in the packaging. Fit to Fan when used for intermittent operation

ECOAIR dMEV Fan Prices

Code	Model	Trade Price
5210612300	ECOAIR DESIGN S	£118.88
5210612400	ECOAIR DESIGN T	£134.08
5210612500	ECOAIR DESIGN H	£170.03
5210612600	ECOAIR DESIGN M	£175.29
5210617300	KIT ECOAIR DESIGN S + CT-17/18 ECOWATT (SELV)	£343.41
5210617400	KIT ECOAIR DESIGN T + CT-17/18 ECOWATT (SELV)	£351.11
5210617500	KIT ECOAIR DESIGN H + CT-17/18 ECOWATT (SELV)	£365.21
5210617600	KIT ECOAIR DESIGN M + CT-17/18 ECOWATT (SELV)	£367.76
5210625600	ECOAIR S LC	£103.26
5210625700	ECOAIR T LC	£114.46
5210625800	ECOAIR H LC	£130.62
5210625900	ECOAIR M LC	£146.80
5210626000	ECOAIR D LC	£139.34

ALL MODELS

		Trade Price
5211459200	WALL KIT 100mm	£20.28



WHOLE HOUSE MECHANICAL EXTRACT VENTILATION

OZEO e ECOWATT



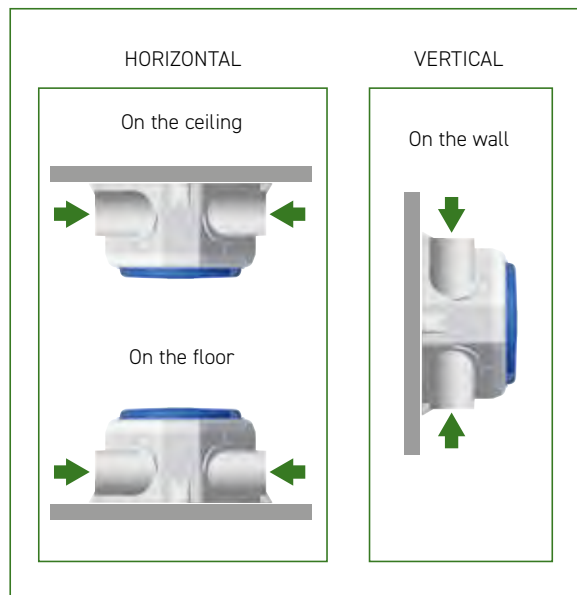
Whole house extract units ensuring continuous renewal of air in individual dwellings. The unit is complemented with self-adjusting extraction BAR valves, installed in kitchen, toilets, bathrooms and self-regulated air inlets located in the living, dining room and bedrooms.



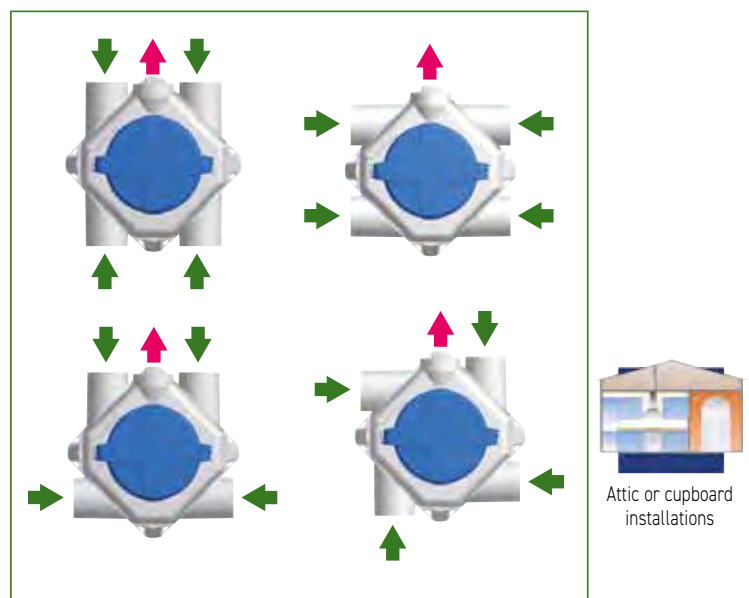
Configuration

- Three-speed motor (with two adjustments for the ECOWATT model).
- 4 Ø 125 mm inlets, with built in sealing gasket. For bathrooms and toilets that can be dismantled, pivoting 90°.
- 1 Ø 125 mm outlet that enables stale air to be extracted outside. This duct pivots 360°.
- 1 radio frequency remote control (Only for ECOWATT RF Model).
- 3 caps to seal unused inlets.
- 1 template to facilitate fitting on the ceiling or wall.

ALTERNATIVE FITTING



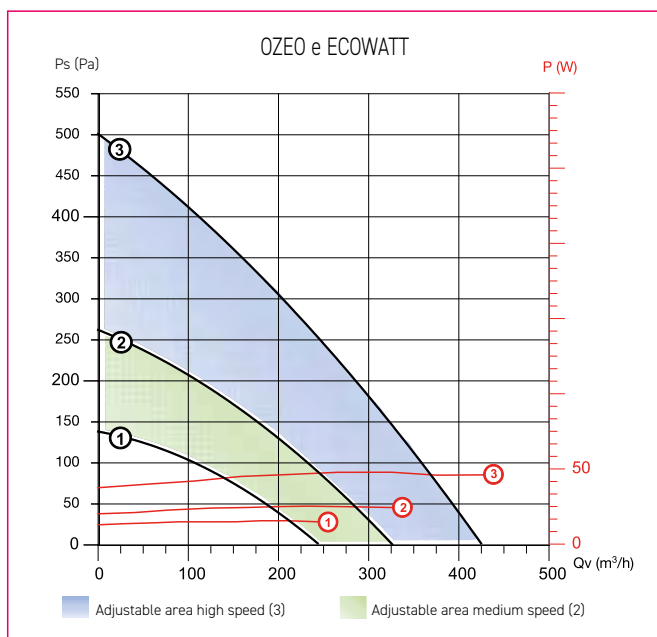
FLEXIBILITY



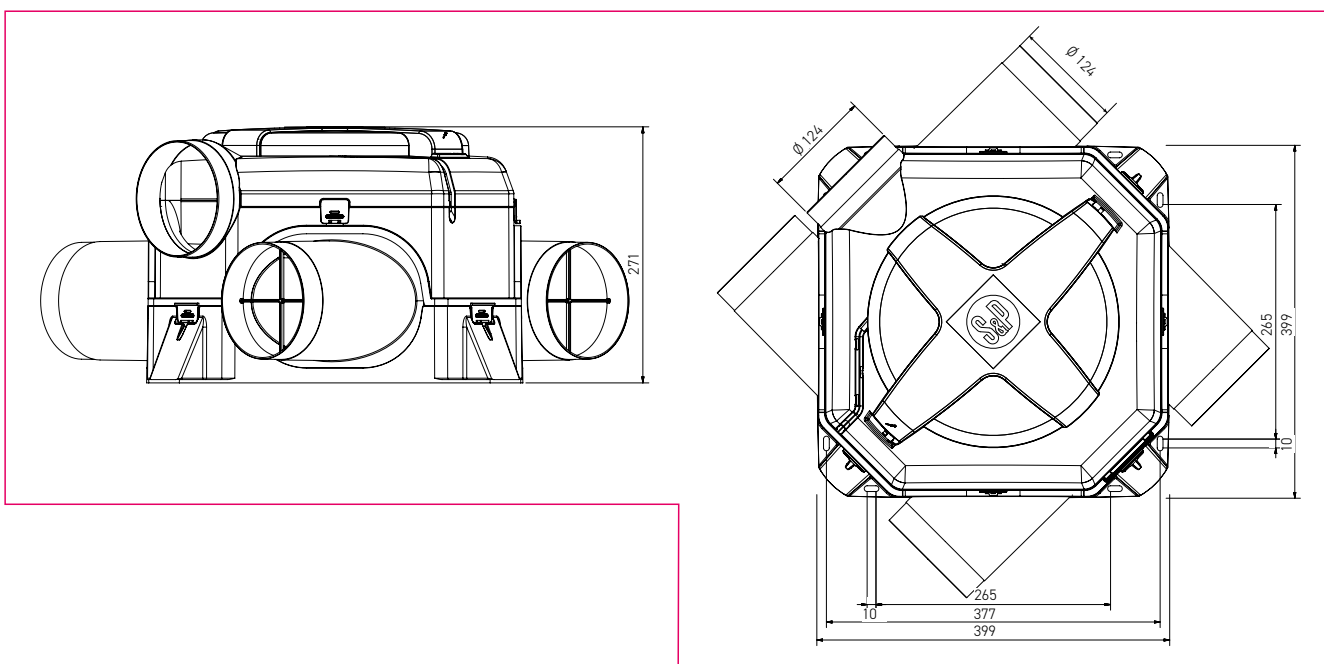
■ TECHNICAL DATA

Model	Motor	Voltage (V)	Maximum absorbed power (W)	Maximum absorbed current (A)	Sound power (dB(A))
OZEO e ECOWATT	DC	230	15.5 - 25 - 48	0.15 - 0.23 - 0.4	30-35-38

Performance curves



Dimensions (mm)



OZEO Whole House MEV Prices

Code	Model	Trade Price
5209244500	OZEO E ECOWATT	£279.91
5209244700	OZEO E ECOWATT RF	£306.49



A close-up photograph of a red, circular mechanical component, likely a fan or vent cover. The component has a central hole with a silver-colored bolt or nut. The background is dark, and the lighting highlights the texture and color of the red material.

VERSATILE VENTILATION

With S&P's range, resources and services, you can reduce costs,
save time and eliminate delays.

Get help with specifying.

Have a question?
Speak to an S&P Product Selector Specialist.

Call us on 0845 4700074

GENERAL INFORMATION

CONTACT US

S&P House, Wentworth Road
Ransomes Europark, Ipswich
Suffolk IP3 9SW, UK

Tel +44 (0)845 4700074 / 01473 276890
Fax +44 (0)845 4700075 / 01473 276891

Email: sales.uk@solerpalau.com
technical.uk@solerpalau.com
Web: www.solerpalau.co.uk

UK DISTRIBUTOR NETWORK

For details of your nearest distributor branch please contact us or visit our interactive map at www.solerpalau.co.uk

TECHNICAL SUPPORT

We offer product technical and installation advice and assistance free of charge. Contact us for further details.

GUARANTEE

Unless otherwise stated S&P UK Ventilation Systems Ltd. (The Company) offers a 24 month guarantee period (from date of purchase) against faulty or defective materials and workmanship. This is provided that the product has been installed and operated in accordance with the installation and maintenance instructions supplied with the product and has not been subjected to misuse, damage or neglect. A copy of our terms and conditions are available on request.

CONTINUOUS PRODUCT DEVELOPMENT

As part of our policy of continuous product development S&P UK Ventilation Systems Ltd reserves the right to alter product specifications without notice.

COPYRIGHT, TRADEMARKS, PATENTS & REGISTERED DESIGNS

S&P UK Ventilation Systems Ltd. products and trademarks, as shown in this catalogue, are internationally registered and protected. S&P UK Ventilation Systems Ltd. will take action to defend against any attempt to infringe its intellectual property and rights in its products.

ERRORS & OMISSIONS EXCEPTED

S&P reserves the right to alter specifications and prices without notice.



S&P UK VENTILATION SYSTEMS LTD

S&P HOUSE, WENTWORTH ROAD,
RANSOMES EUROPARK,
IPSWICH, SUFFOLK. IP3 9SW

0845 4700074
SALES.UK@SOLERPALAU.COM
SOLERPALAU.CO.UK