

Range of bifurcated axial flow fans with motor isolated from the air stream making this range suitable for continuous operation up to 150°C and a short time up to 150°C and 200°C for temporary running. The casings are manufactured from high grade rolled sheet steel protected against corrosion by black epoxy paint finish. All models incorporate one piece die-cast aluminium impellers. Available, depending upon the model, with singlephase or three phase motors in 2, 4 or 6 poles.

Motors

All motors are direct drive, IP55, class F insulation.

Electrical supply:

Single phase motor 230V-50Hz

Three phase motors 400V-50Hz

On request

Casing manufactured from stainless sheet steel or formed from rolled sheet steel with a corrosion resistant hot dipped galvanized finish.

Motor with PTC thermal protector.

Specific applications

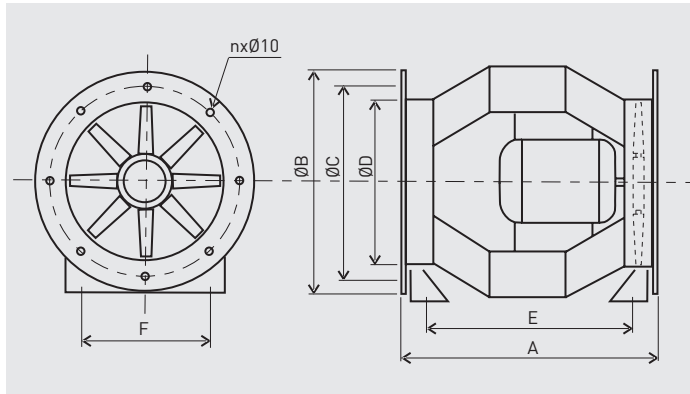


TECHNICAL CHARACTERISTICS

Before installation check that product electrical characteristics listed on the data plate label (voltage, power, frequency, etc.) match those of the intended electrical supply.

Model	Speed (r.p.m.)	Diameter (mm)	Motor power 400V (kW)	Maximum absorbed current 400V (A)	Airflow (m ³ /h)	Sound pressure level at 3 m (dB(A))	Weight (Kg)
SINGLE-PHASE 2 POLES							
TEB/2-400 N	2800	400	1,1	7,2 (230V)	6.150	83	43
THREE-PHASE 2 POLES							
TET/2-400 N	2800	400	1,1	2,5	6.150	83	42
TET/2-450 N	2800	400	3	6,5	8.400	85	58
THREE-PHASE 4 POLES							
TET/4-400 N	1400	450	0,37	1,07	3.300	74	40
TET/4-500 N	1400	500	0,75	1,81	6.300	76	75
TET/4-630 N	1400	630	1,1	2,7	10.800	78	90
TET/4-710 N	1400	710	4	8,4	15.300	80	140
THREE-PHASE 6 POLES							
TET/6-710 N	920	710	0,55	1,65	10.500	75	135
TET/6-800 N	920	800	1,1	2,9	14.400	76	200
TET/6-1000 N	920	1000	1,1	2,9	20.080	81	200

DIMENSIONS (mm)



Model	A	B	C	D	E	F	n
TET 400N	580	504	460	400	422	200	8
TET 450N	640	554	500	450	572	340	8
TET 500N	730	606	556	500	662	280	8
TET 630N	730	736	686	630	662	340	12
TET 710N	770	830	766	710	702	310	12
TET 800N	830	906	856	800	702	370	12
TET 1000N	1270	1106	1056	1000	1150	550	12

PERFORMANCE CURVES

- Fan ducted on both inlet and outlet sides.
- q_v : Air volume in m^3/h .
- p_{sf} : Static pressure in Pa.
- Dry air at 20°C and 760 mmHg.
- Performance data in accordance with ISO 5801 and AMCA 210-99 Standards.

