



Portable air purifiers for commercial and healthcare settings. Manufactured with aluminium profile structure and sandwich-type panels made of galvanised sheet steel, externally painted, plus 18 mm acoustic insulation, which gives them a high attenuation of radiated sound levels.

#### Versions

- Only available in a vertical flow version.
- Available with three different filtration levels depending on the type of particle or contaminant to be filtered (see table on next page).

With the exception of the F7 pre-filters, all other filters come in bags to protect them from dust and environmental contaminants.

Absolute filter assembly system using threaded knobs, which guarantees good tightening between filter and frame, minimising the air by-pass outside the normal filter in the filters mounted on guides.

#### Fan

High-pressure backward fan available, with brushless DC motor, high-efficiency and low consumption, power supply 230V±10% 50/60Hz, IP44, ball bearings, thermal protector. They include a stop/start switch and a manual potentiometer that allows the air flow setting to the premises' needs.

#### Other data

All versions come with 4 wheels, making it easy to move the unit to the desired location.

Designed for indoor usage.

PAP 420 Models: Working temperature from -10°C to +50°C. Maximum relative humidity: 90%.

PAP 350 Models: Working temperature from -10°C to +40°C. Maximum relative humidity: 70%.



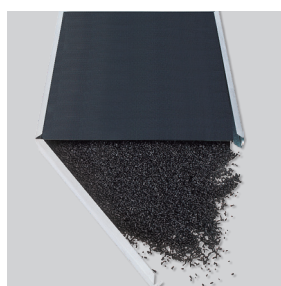
#### Built-in diffuser

The air diffuser distributes the purified air in the four different directions, distributing the airflow throughout the room.



#### Certified HEPA H14 efficiency

Minimum 99.995% filtration according to regulation EN-1822. Each PAP purifier includes an individual certification that states that each filter has passed the corresponding laboratory test.



#### PAP 350 AC and PAP 350 VOC versions

Wire mesh filters filled with absorbent pellet material. The built-in filters in these versions absorb odours and/or gases and VOCs from the environment using the principle of adsorption and chemisorption.



#### Easy and accurate to control

The integrated manual potentiometer allows to precise the adjustment of the air flow rate.



#### Stop/Start switch

Power socket with integrated cut-off switch. Cable supplied with the equipment.



#### Heavy-duty design

Its aluminium profile structure and the 18 mm thick sandwich panels make it extremely robust, and ideal for professional use. Its four 40 mm diameter wheels make it easy to move the unit.



### TECHNICAL CHARACTERISTICS

It is imperative to check that the electrical characteristics (voltage, current, frequency, etc.) of the motor shown on the motor rating plate are compatible with those of the installation.

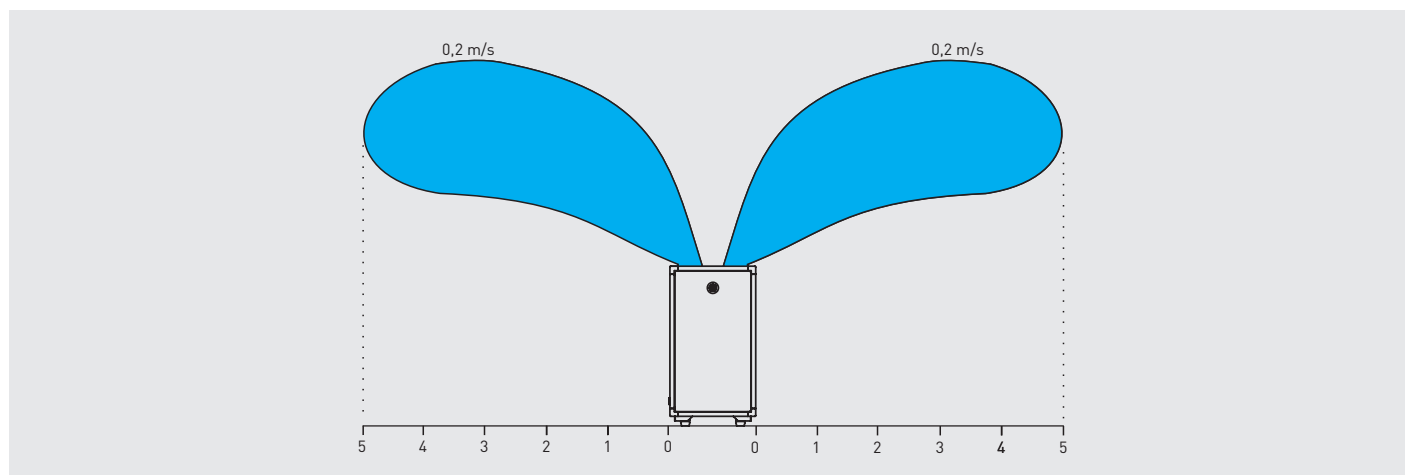
Model	Power (W)	Maximum intensity (A)	Power supply	Speed (r.p.m.)	Flow rate with clean filter (m³/h)	Flow rate with dirty filter (m³/h)	Surface area involved* (m²)
PAP 420 H14	98	0,7	1F /230V, 50-60Hz	3270	420	300	30 - 40
PAP 350 CA H14	98	0,7	1F /230V, 50-60Hz	3270	350	290	27 - 36
PAP 350 VOC H14	98	0,7	1F /230V, 50-60Hz	3270	350	290	27 - 36

\* Commercial and office spaces with a 3-meter ceiling height.

### VERSIONS DEPENDING ON THE SUPPLIED FILTERS

Model	Filters	Filtration capacity
PAP 420 H14	F7 + H14	Dust, Pollen, Spores, Bacteria, Viruses, Fine Suspended Particles (PM <sub>1</sub> , PM <sub>2,5</sub> and PM <sub>10</sub> )
PAP 350 CA H14	F7 + active carbon + H14	Bacteria, Viruses, Fine Suspended Particles (PM <sub>1</sub> , PM <sub>2,5</sub> and PM <sub>10</sub> ) + <b>Odours</b>
PAP 350 VOC H14	F7 + VOC Filter + H14	Dust, Pollen, Spores, Bacteria, Viruses, Fine Suspended Particles (PM <sub>1</sub> , PM <sub>2,5</sub> and PM <sub>10</sub> ) + Odours + <b>Formaldehyde, Ethylene, CO, SO<sub>2</sub>, NO<sub>x</sub> and VOC</b>

### AIR RANGE



Corresponding to the PAP 420 H14 model.

### ACOUSTIC CHARACTERISTICS

#### PAP 420 H14

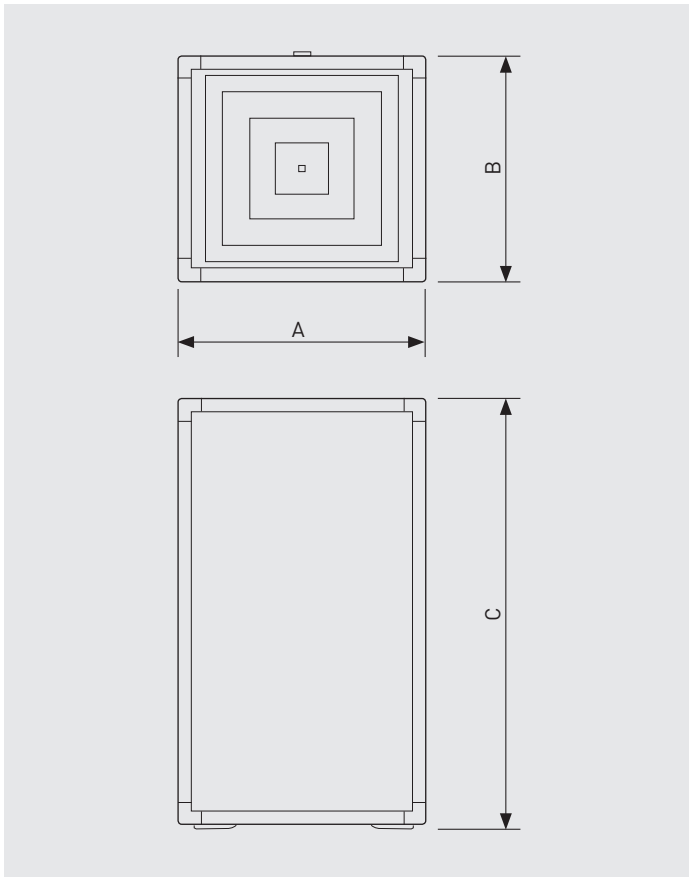
Potentiometer position	Sound power level (LwA)	Sound pressure level (LpA at 3 m)	Sound pressure level (LpA at 5 m)
10V	72,9	52,4	47,9
8V	70,6	50,1	45,6
6V	62,7	42,2	37,7
4V	51,2	30,7	26,2

#### PAP 350 VOC H14 / PAP 350 CA H14

Potentiometer position	Sound power level (LwA)	Sound pressure level (LpA at 3 m)	Sound pressure level (LpA at 5 m)
10V	71,9	51,4	46,9
8V	70,1	49,6	45,1
6V	62,7	42,2	37,7
4V	51,2	30,7	26,2

Values in dB(A) measured in an open area.

**DIMENSIONS (mm)**



Model	A	B	C	Weight (kg)
PAP 420 H14	380	350	708	33
PAP 350 CA H14	380	350	708	35
PAP 650 VOC H14	380	350	708	35

## SELECTION GUIDE

Setting tables based on the application.

Speed adjustment potentiometer positioning based on the room's characteristics and dimensions.

### PAP-420 H14 model

Low-occupancy premises (receptions and hotel rooms, doctors' woffices, dentists' offices, business offices):

Height (m)	Surface area (m <sup>2</sup> )						
	10	15	20	25	30	35	40
5	6	7	8	10	-	-	-
4,5	6	7	8	9	-	-	-
4	6	7	7	8	10	-	-
3,5	5	6	7	8	9	10	-
3	4	6	7	7	8	9	10
2,5	4	5	6	7	7	8	8

Medium-occupancy premises (offices, meeting rooms, shops, classrooms):

Height (m)	Surface area (m <sup>2</sup> )						
	10	14	18	22	26	30	36
5	7	8	10	-	-	-	-
4,5	7	8	9	-	-	-	-
4	6	7	8	10	-	-	-
3,5	6	7	8	9	10	-	-
3	6	7	7	8	9	10	-
2,5	5	6	7	7	8	8	10

High-occupancy premises (cafés, restaurants, waiting rooms, offices, meeting rooms, shops, classrooms):

Height (m)	Surface area (m <sup>2</sup> )						
	6	8	12	16	20	24	30
5	6	7	9	-	-	-	-
4,5	6	7	8	10	-	-	-
4	6	6	7	9	-	-	-
3,5	5	6	7	8	10	-	-
3	5	6	6	7	9	10	-
2,5	4	5	6	7	8	9	10

### PAP-350 CA H14 and PAP-350 VOC H14 model

Low-occupancy premises (receptions and hotel rooms, doctors' offices, dentists' offices, business offices):

Height (m)	Surface area (m <sup>2</sup> )						
	10	15	20	25	30	35	40
5	6	7	8	10	-	-	-
4,5	6	7	8	9	-	-	-
4	6	7	7	8	10	-	-
3,5	5	6	7	8	9	10	-
3	4	6	7	7	8	9	10
2,5	4	5	6	7	7	8	8

Medium-occupancy premises (offices, meeting rooms, shops, classrooms):

Height (m)	Surface area (m <sup>2</sup> )					
	10	14	18	22	26	30
5	8	9	-	-	-	-
4,5	8	9	10	-	-	-
4	7	8	9	-	-	-
3,5	7	8	9	10	-	-
3	7	8	8	9	10	-
2,5	6	7	8	8	9	9

High-occupancy premises (cafés, restaurants, waiting rooms, offices, meeting rooms, shops, classrooms):

Height (m)	Surface area (m <sup>2</sup> )					
	6	8	12	16	20	24
5	7	8	10	-	-	-
4,5	7	8	9	-	-	-
4	7	7	8	10	-	-
3,5	6	7	8	9	-	-
3	6	7	7	8	10	-
2,5	5	6	7	8	9	10

## EXTRA FILTERS

Purifier model	F7 Pre-filter	CA/VOC Filter	H14 Absolute filter	No. of filters
PAP 420 H14	AFR F7 PAP 420/350	-	AFR H14 PAP 420/350	1
PAP 350 CA H14	AFR F7 PAP 420/350	AFR CA PAP 350	AFR H14 PAP 420/350	1
PAP 350 VOC H14	AFR F7 PAP 420/350	AFR VOC PAP 350	AFR H14 PAP 420/350	1