



Decorative cooker hoods.

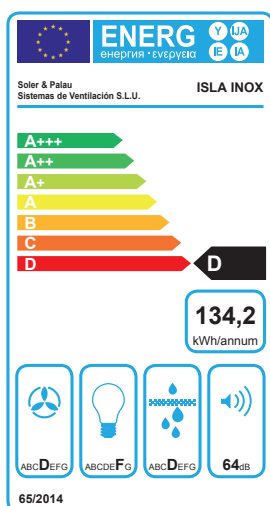
Characteristics:

- Backdraft shutter.
- Aluminium filter.
- Speed/light selector.
- Upper evacuation.
- Reducer for discharge from Ø150 mm to Ø120 mm.

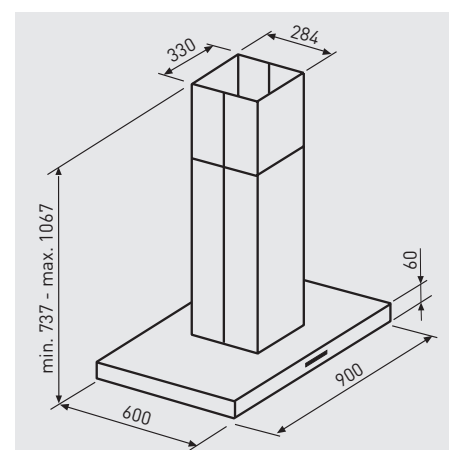
Operating modes



Outlet



DIMENSIONS (mm)



TECHNICAL CHARACTERISTICS

Model	Color	Cooker hood width (mm)	Ø Discharge duct (mm)	Airflow at free discharge (m³/h)	Supply	Speed	Motors	Motor power (W)	Illumination	Maximum absorbed current (A)	Sound pressure level* (dB (A))
ISLA INOX 900	INOX	900	150	640	230V 50/60Hz	3+1**	1	160	Halógena 4x20W	1,04	53

* Sound pressure level measured at 1,5 m at free air conditions.

** 3 speeds+ 1 temporized.

ACCESSORIES



GSA-125 M0
GSA-150 M0
Flexible aluminium ducting.



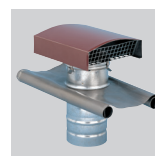
CX-125/215
Worm drive clips.



PER-125 W
Backdraft shutters.



GRA-100
GRA-150
Aluminium guards.



CT-125
CT-150
Roof cowl.