



Centrifugal jet fans, to induce air movement in enclosed car parking. Models for ventilation and emergency smoke operation at F400 or F300.

Description

Thrust 50, 75 and 100N.
Centrifugal backward curved impeller in galvanized steel and balanced in accordance with ISO 1940-1, G6.3.
Fan duct in galvanized steel with 2 mounting feet.
Fan external electrical terminal box.
Supplied with inlet steel guard.
Fan approved in accordance EN12101-3 at F400-120 and F300-120.

Motors

IEC, from 80 to 90, three phase 380-415V/50Hz, IP55, Class H, F400-120 and F300-120.
2 speeds 4/8 pole, connection type Dahlander.
Working temperature from -20°C to +40°C.

On request

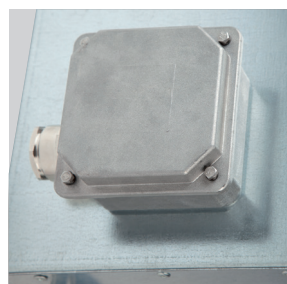
IP65 isolator in place of electrical terminal box, factory fitted or as an accessory.
External painting to RAL colour.



Inlet guard
Air protection guard to mount at the inlet side.



Low profile
Useful in low parkings.



External terminal box for ease of connection.



Optional isolator
Electrical Isolator fitted to fan for security, IP65, F400, factory fitted or as an accessory.

Specific applications



Officially approved to EN12101-3 standard.
Certificate n° 0370-CPD-1250



Officially approved to EN12101-3 standard.
Certificate n° 0370-CPD-1085



Car parks

REFERENCE

I F H T /	4/8 -	1 0 0 N	C/I	2,3/0,37 kW	F300	400 V	50 Hz
1	2	3	4	5	6	7	8

- 1- IFHT serie.
- 2- Poles.
- 3- Thrust.
- 4- C = terminal box (standard). I = On/off electrical isolation switch (optional).
- 5- Motor power in kW.
- 6- Temperature class.
- 7- Nominal electrical supply.
- 8- Frequency (Hz).

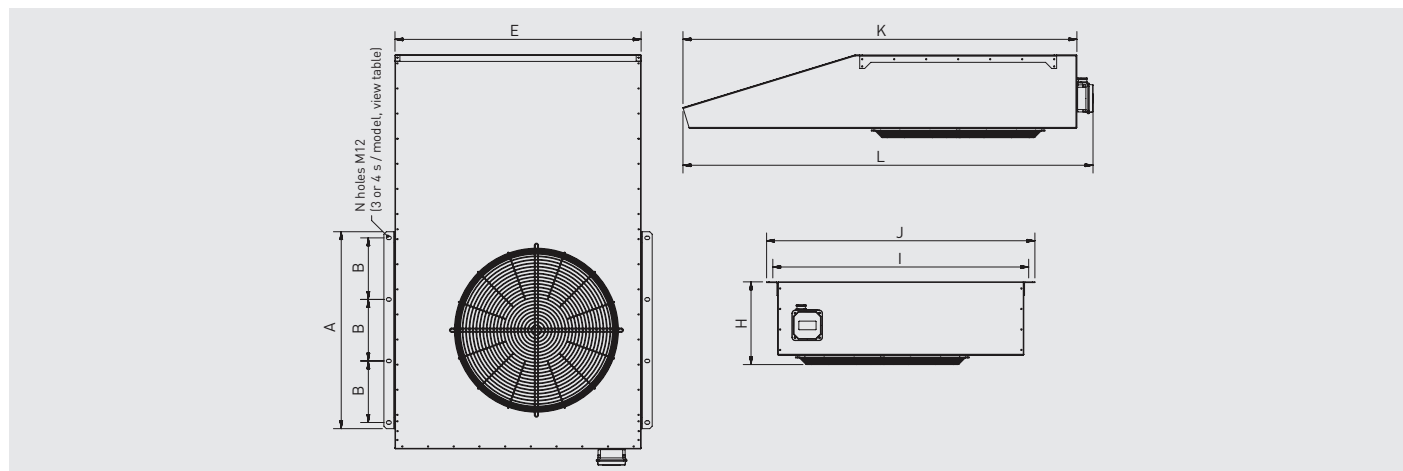
TECHNICAL CHARACTERISTICS

Before installation check that the product electrical characteristics listed on the data plate label (voltage, power, frequency, etc.) match those of the intended electrical supply.

Model	Speed (poles)	Speed (rpm)	Thrust (N)	Airflow (m³/h)	Nominal power (kW)	Absorbed current (A)	Starting current (A)	Sound pressure level* (LpA)	Weight (kg)
IFHT/4/8-50N-C	4/8	1345/710	50/13	5.500/2.880	1,21/0,20	3,0/1,1	9,8/2,4	75/59	76
IFHT/4/8-75N-C	4/8	1420/710	75/19	8.300/4.150	2,3/0,37	5,4/1,9	30/7,5	77/61	120
IFHT/4/8-100N-C	4/8	1420/710	95/24	8.900/4.450	2,3/0,37	6,0/2,0	30/7,5	78/63	120

* Sound pressure at 3 m, in free field conditions.

DIMENSIONS (mm)



Model	A	B	E	H	I	J	K	L	N
50	600	275	800	272	844	890	1232	1298	3
75	800	250	1000	337	1044	1090	1600	1666	4
100	800	250	1000	337	1044	1090	1600	1666	4

ACOUSTIC CHARACTERISTICS

Sound power levels LwA ref. 1pW tested in accordance with ISO 13347:2004.

IFHT (4 pole)

Model	63	125	250	500	1000	2000	4000	8000	LwA
50	61	79	84	87	87	85	80	73	93
75	63	83	85	87	89	85	80	73	94
100	65	83	87	90	91	87	81	74	95

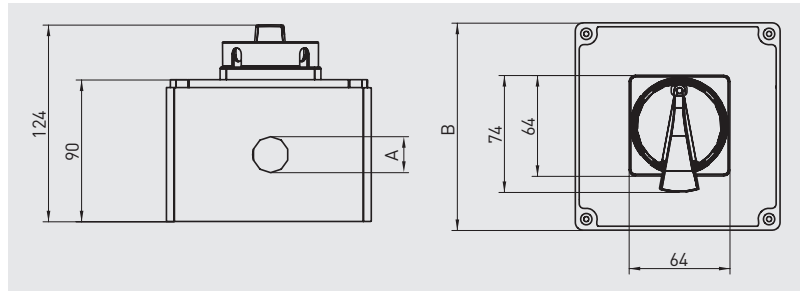
IFHT (8 pole)

Model	63	125	250	500	1000	2000	4000	8000	LwA
50	46	64	69	72	72	70	65	58	76
75	48	68	70	72	74	70	65	58	78
100	50	68	72	75	76	72	66	59	80

ACCESSORIES



INT-IPM 25/6P-F400
INT-IPM 40/6P-F400
 ON/OFF electrical isolation switch
 working at F400/120.
 Aluminium covering.
 Maximum permitted current:
 25A (model INT-IPM 25/6P-F400)
 40A (model INT-IPM 40/6P-F400)
 To be applied in motors 3x380V /
 3x440V.
 Frequency: 50 - 60Hz.



Model	A	B
INT-IPM 25/6P-F400	M32	160
INT-IPM 40/6P-F400		