

Centrifugal Jet fans to induce air movement in large spaces. Suitable for ventilation only at ambient temperature.



Description

Nominal thrust 50N, 75N and 100N. Backward curved centrifugal impeller in galvanised steel and balanced in accordance with ISO 1940-1, G6.3. Fan casing in galvanised steel. Fan external electrical terminal box. Supplied with inlet steel guard.

Motors

IEC from 80 to 90, 3 phase /380-415V / 50Hz, Class F. Two speed 4/8 pole Dahlander winding. Ambient temperature: -20°C to +40°C. Available in 60Hz.

On request

Factory fitted IP65 isolator in place of electrical terminal box, isolator also available as an accessory for use with standard terminal box fan.



Inlet guard.



Low profile
Useful in low structures.



External terminal box for ease of connection.



Optional isolator
Electrical isolator fitted to fan for security or as an accessory.

REFERENCE

I	F	F	T	/	4/8	-	1	0	0	N	C/I	2,3/0,37 kW	400 V	50 Hz
1	2	3	4	5	6	7								

- 1 - Series IFFT for ventilation only in ambient temperature.
- 2 - Motor speed (poles).
- 3 - Nominal thrust.
- 4 - C = terminal box (standard). I = On/off electrical isolation switch (optional).
- 5 - Motor power in kW.
- 6 - Nominal electrical supply.
- 7 - Frequency (Hz).

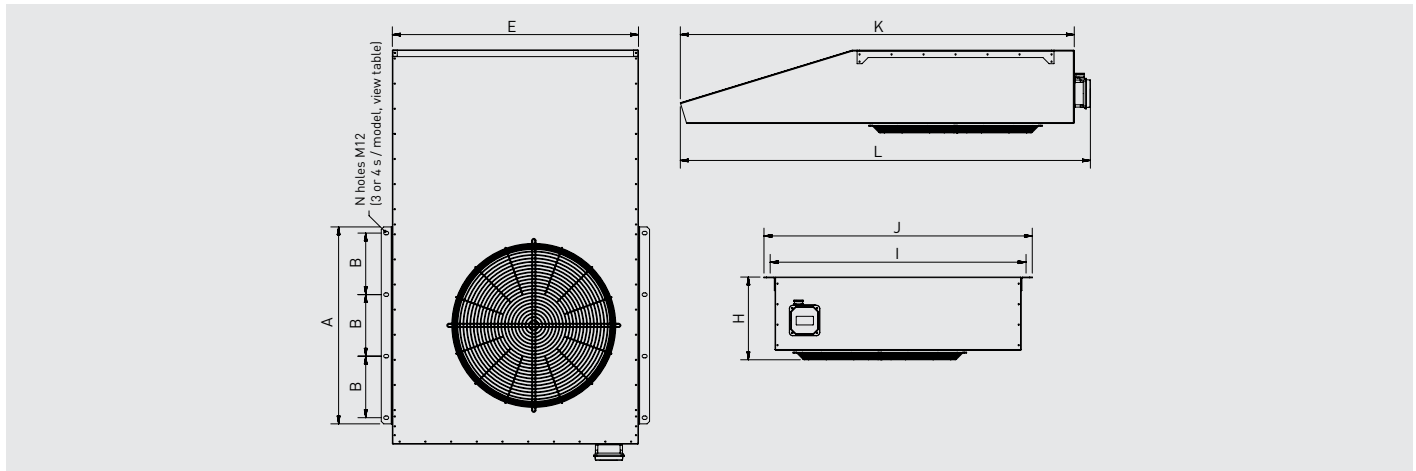
TECHNICAL CHARACTERISTICS

Before installation check that the product electrical characteristics listed on the data plate label (voltage, power, frequency, etc.) match those of the intended electrical supply.

Model	Speed (poles)	Speed (rpm)	Thrust (N)	Airflow (m ³ /h)	Nominal power (kW)	Maximum absorbed current (A)	Maximum absorbed current (A)	Sound pressure level* (LpA)	Weight (kg)
IFFT/4/8-50N-C	4/8	1420/710	50/13	5.800/2.880	1,1/0,18	3/1,1	15/4,5	75/59	76
IFFT/4/8-75N-C	4/8	1420/710	75/19	8.100/4.050	2,3/0,37	5,4/1,9	30/7,5	77/61	120
IFFT/4/8-100N-C	4/8	1420/710	95/24	8.900/4.450	2,3/0,37	5,4/1,9	30/7,5	78/63	120

* Sound pressure at 3m hemispherical propagation, in free field conditions, for comparison.

DIMENSIONS (mm)



Model	A	B	E	H	I	J	K	L	N
50	600	275	800	272	844	890	1232	1298	3
75	800	250	1000	337	1044	1090	1600	1666	4
100	800	250	1000	337	1044	1090	1600	1666	4

ACOUSTIC CHARACTERISTICS

Sound power levels ref 1pW, tested in accordance with ISO 13347:2004.

IFFT (4 pole)

Model	63	125	250	500	1000	2000	4000	8000	LwA
50	61	79	84	87	87	85	80	73	93
75	63	83	85	87	89	85	80	73	94
100	65	83	87	90	91	87	81	74	95

IFFT (8 pole)

Model	63	125	250	500	1000	2000	4000	8000	LwA
50	46	64	69	72	72	70	65	58	76
75	48	68	70	72	74	70	65	58	78
100	50	68	72	75	76	72	66	59	80