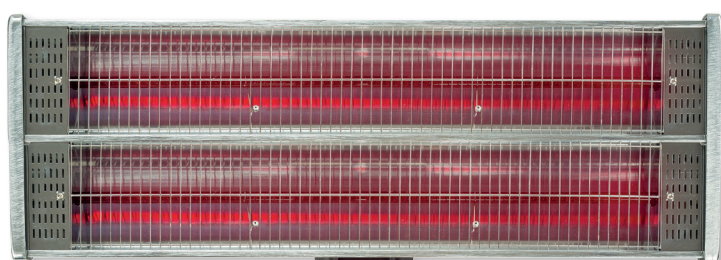


HE-1800 PD



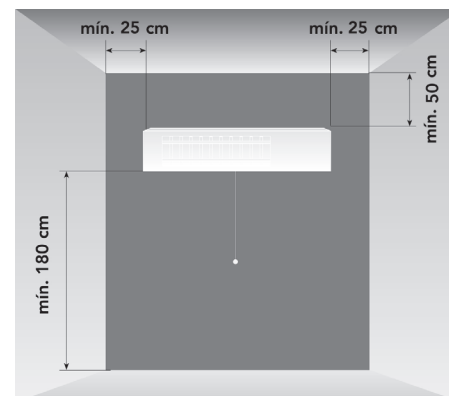
HE-2400 PD

Infrared wall-mounting heater for outdoor or indoor installations, especially designed to create comfort areas in outdoor enclosures, providing localised heat via short-wave infrared emissions. Ideal for smoking areas.

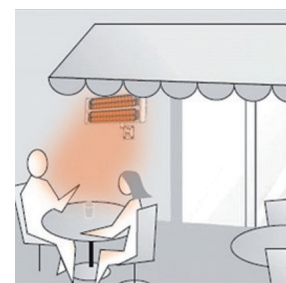
Characteristics:

Manufactured from aluminium and stainless steel.
Localised heat: it only warms people and solid objects.
Soft light lamps that reach the maximum temperature in a few seconds.
Operation by means of handle, switch or remote control.
3 meters presence detector.
When the sensor does not detect movement for 30 seconds, the heater automatically stops in order to save energy.
It is possible to disable the sensor.

INSTALLATION



APPLICATIONS



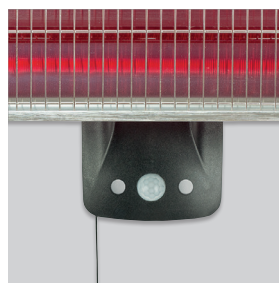
Bar and restaurant terraces.



Remote control

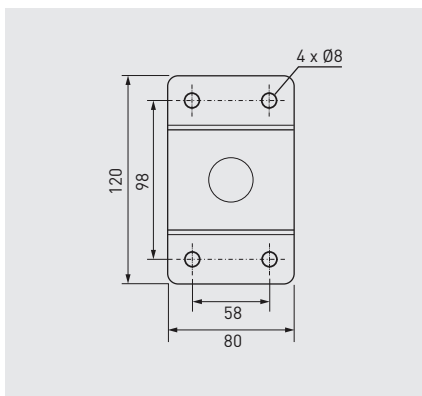
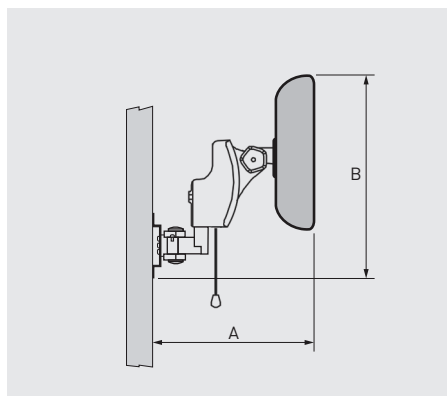


Swivelling support



Control panel

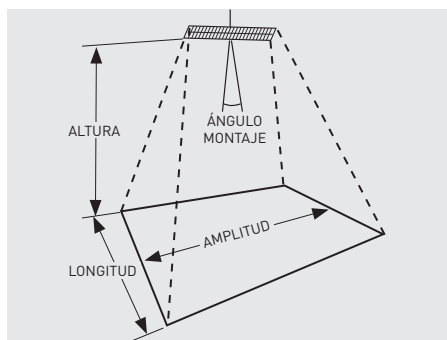
DIMENSIONS (mm)



Wall anchor.

Model	A	B
HE-1800 PD	300	250
HE-2400 PD	300	375

AREA OF INCLUCE



Radiation intensity of the area to heat (W/m ²)	HE-1800 PD			Radiation intensity of the area to heat (W/m ²)	HE-2400 PD		
	Height (m)	Length (m)	Width (m)		Height (m)	Length (m)	Width (m)
At an angle of 30° from the vertical							
125	2	3,3	3,6	125	2,3	4,1	4
100	2,3	3,8	4,1	100	2,7	4,7	4,6
75	2,7	4,5	4,7	75	3,1	5,4	5,3
At an angle of 45° from the vertical							
125	2,6	2,6	4,6	125	3	3,2	5,2
100	2,9	3	5,1	100	3,4	3,6	5,9
75	3,5	3,5	6,1	75	4	4,2	6,9

TECHNICAL CHARACTERISTICS

Model	Voltage (V)	Power (W)	Absorberd current (A)	Number of bars	Kind of bars	Type of switch	Remote control	Cable length (mm)	Insulation/Protection	Swivelling	Colour	Weight (kg)	Dimensions L x W x H (mm)
HE-1800 PD	230	1800	7,8	1	Halogen	Tirador	•	1900	Class I / IP55	•	Aluminum	3,3	705x300x290 (with bracket)
HE-2400 PD	230	1800	7,8	1	Halogen	Tirador	•	1900	Class I / IP55	•	Aluminum	4,5	705x430x290 (with bracket)