



Decorative cooker hoods.

Characteristics:

- Capacitor motor.
- Professional type aluminium filters.
- Speed selector: frontal sliding switch.
- Telescopic chimney fitting.
- Backdraft shutter.
- Reducer for discharge from 150 to 120 mm, for Ø 120 ducts.

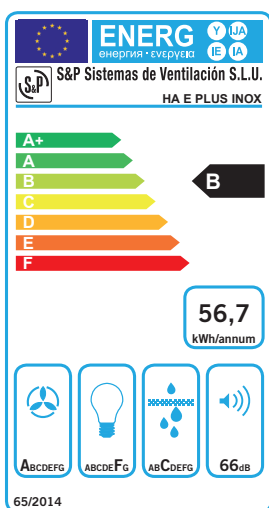
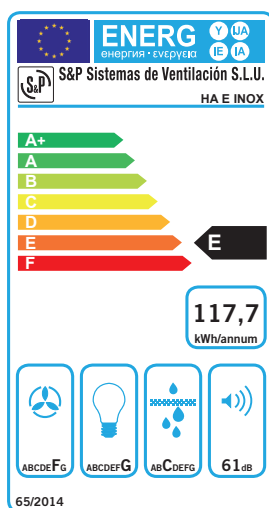
Operating modes



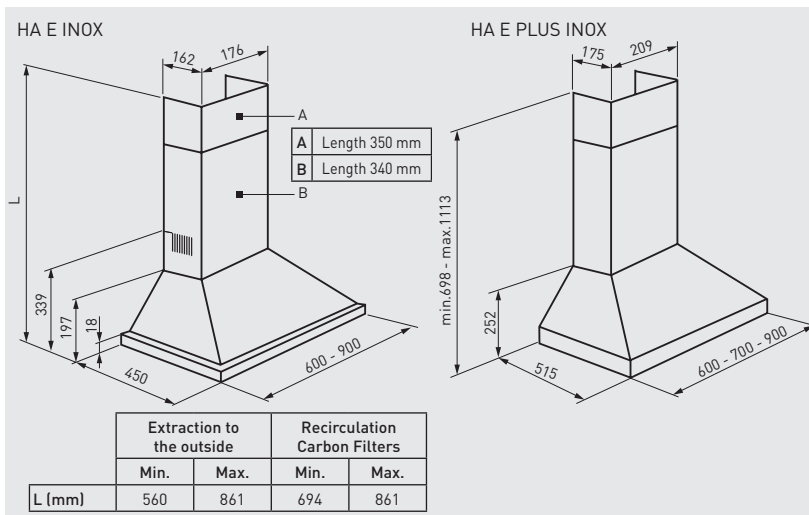
Outlet



Air recirculation through 2 carbon filters (accessory)



DIMENSIONS (mm)



TECHNICAL CHARACTERISTICS

Model	Color	Cooker hoods width (mm)	Ø Discharge duct (mm)	Airflow at free discharge (m³/h)	Supply	Speed	Motors	Motor power (W)	Illumination	Maximum absorbed current (A)	Sound pressure level* (dB (A))
HA-600 E INOX	INOX	600	150	410	230V-50/60Hz	3	1	120	Halogen 2x28W	0,9	50
HA-900 E INOX	INOX	900	150	410	230V-50/60Hz	3	1	120	Halogen 2x28W	0,9	50
HA-600 E PLUS INOX	INOX	600	150	640	230V-50/60Hz	3	1	200	Halogen 2x10W	1,2	55
HA-700 E PLUS INOX	INOX	700	150	640	230V-50/60Hz	3	1	200	Halogen 2x10W	1,2	55
HA-900 E PLUS INOX	INOX	900	150	640	230V-50/60Hz	3	1	200	Halogen 2x10W	1,2	55

* Sound pressure level measured at 1,5 m at free air conditions.

ACCESSORIES



GSA-125 M0
GSA-150 M0
Flexible aluminium ducting.



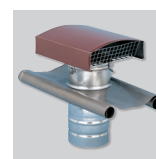
CX-125/215
Worm drive clips.



PER-125 W
PER-160 W
Backdraft shutters.



GRA-100
GRA-150
Aluminium guards.



CT-125
CT-150
Roof cowl.

CARBON FILTER HA E
(for models HA E INOX)
CARBON FILTER HA E PLUS
(for models HA E PLUS INOX)