



Traditional cooker hoods.

Characteristics:

- Built-in assembly.
- Professional type aluminium filters.
- Backdraft shutter.
- Upper extraction.

Operating modes:



Outlet



Air recirculation through carbon filter (accessory)



ENERG
енергия - енергій

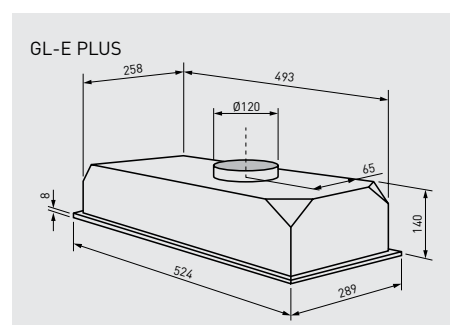
S&P Sistemas de Ventilación S.L.U.
GL E PLUS

122,3
kWh/annum

ABCDEF G ABCDEFG ABCDEFG 68dB

65/2014

DIMENSIONS (mm)



TECHNICAL CHARACTERISTICS

Model	Color	Cooker hoods width (mm)	Ø Discharge duct (mm)	Airflow at free discharge (m³/h)	Supply	Speed	Motors	Motor power (W)	Illumination	Maximum absorbed current (A)	Sound pressure level* (dB (A))
GL-60 E PLUS METAL	GREY	524	120	370	230V-50/60Hz	3	2	2x115	Led 2x3W	1,4	57

* Sound pressure level measured at 1,5 m at free air conditions.

ACCESSORIES



GSA-125 M0
Flexible aluminium ducting.



CX-125/215
Worm drive clips.



PER-125 W
Backdraft shutters.



GRA-100
Aluminium guards.



CT-125
Roof cowl.

CARBON FILTER GL E PLUS*

* 2 filters with the cooker hood.