

Designed for wall application in commercial or industrial environments.

Characteristics

Can be fitted up to a height of 3 metres. Remote control incorporated.

High performance tangential propeller/impeller giving a low sound level.

Can be installed in series.

Extra low speed in those fans that need a higher output air temperature (warm air versions).

On-demand curtain available in the following colors:

- Basalt Grey RAL7012
- Graphite Black RAL 9011

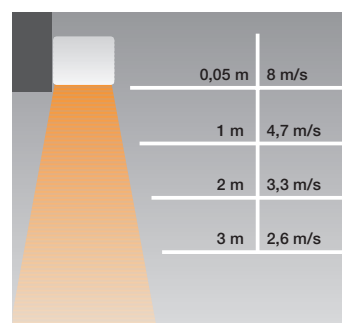
Applications

See page BASIC CONCEPTS AIR CURTAINS.

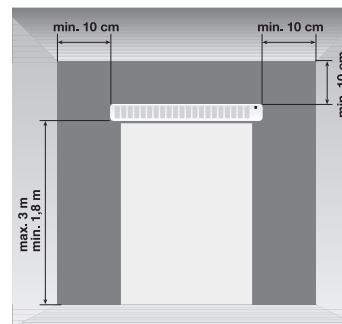


REMOTE CONTROL

- Speed control
 - Heat power control (only ambient and hot air versions)
 - AUTO mode
- LxWxH (mm): 65x18x113

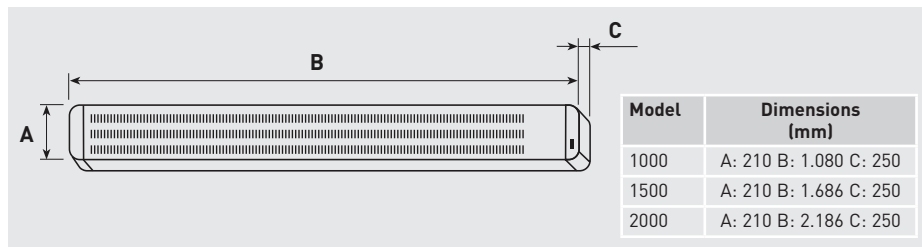


Air distance/speed



Installation height

DIMENSIONS (mm)



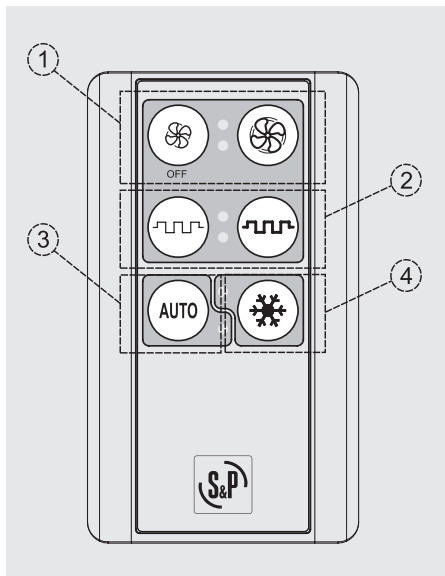
TECHNICAL CHARACTERISTICS

Model	Voltage (V)		Heat power (kW)	Motor power (kW)		Speeds	Airflow (m³/h)			Air output speed¹ at 0,05 m (m/s)	Maximum ΔT (°C)			Sound pressure level² (dB(A))	Absorbed current (A)		Thermal fuse	Ambient / Hot air	Weight (kg)	Colour
	50Hz	60Hz		50Hz	60Hz		Speed				Speed				50Hz	60Hz				
				High	Medium		Low	High	Medium		Low									
COR-F-1000 N RF	230	230		105	125	2	1.400		1.100	8				48	0,5	0,6		F	15	White RAL 9003
COR-F-1500 N RF	230	230		140	175	2	2.700		2.100	8				50	0,7	0,8		F	20	White RAL 9003
COR-F-2000 N RF	230			142		2	2.700		2.200	8				49	0,63			F	26	White RAL 9003
COR-3,5-1000 N RF	230		3,5	100		3	1.400	1.100	750	8	7	9	14	48	15,5		•	F/C	16	White RAL 9003
COR-6-1000 N RF	3N 400		3 / 6	100		3	1.400	1.100	750	8	13	16	23	48	8,6		•	F/C	16	White RAL 9003
COR-9-1000 N RF	3N 400		4,5 / 9	100		3	1.300	1.100	1.000	8	20	24	26	48	13		•	F/C	16	White RAL 9003
COR-9-1500 N RF	3N 400		4,5 / 9	200		3	2.500	2.000	1.200	8	11	13	22	50	13		•	F/C	21	White RAL 9003
COR-12-1500 N RF	3N 400		6 / 12	200		3	2.500	1.900	1.100	8	14	18	32	49	17,3		•	F/C	22	White RAL 9003
COR-18-2000 N RF	3N 400		9 / 18	200		3	2.600	2.300	2.000	8	20	23	26	49	26		•	F/C	30	White RAL 9003

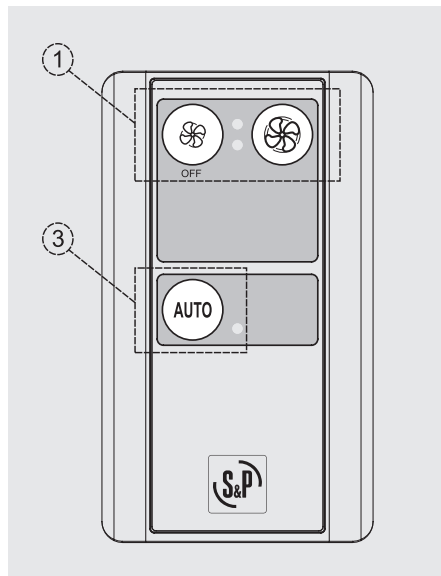
¹ Maximum airflow. Measured according to AMCA 220.

² Measured at 3 meters, in free field.

REMOTE CONTROL FUNCTIONS (BUTTONS)



Ambient/Hot air version



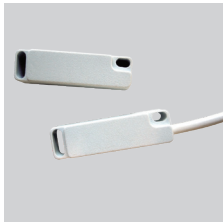
Ambient air version

- ① Fan Speed control
- ② Heating output control
- ③ AUTO mode. Enables the air curtain to run at low fan speed and medium heating output when doors are closed. When the automatic door is open, the air curtain runs at high speed and maximum heating output (except ambient versions that only change the fan speed).

This function is controlled by an adjustable run-on-timer between 30 seconds to 10 minutes. When the limit is over the air curtain return to low fan speed and medium heating output. (door contact CR-MAGNET is needed for this function).

- ④ Winter mode activation and desactivation.

ACCESSORIES



CR-MAGNET

Normally open door switches with 1,5m cable length to be installed at the end of door stroke.
LxWxH (mm): 45x12x10