

Designed for wall application in commercial or industrial environments.

Characteristics

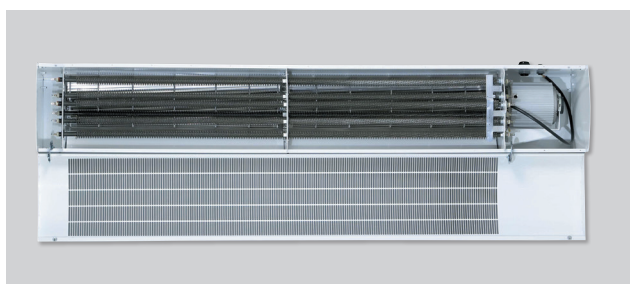
Can be fitted up to a height of 10 metres.
High performance tangential propeller/impeller giving a low sound level.
Can be installed in series.

Applications

See page BASIC CONCEPTS AIR CURTAINS.



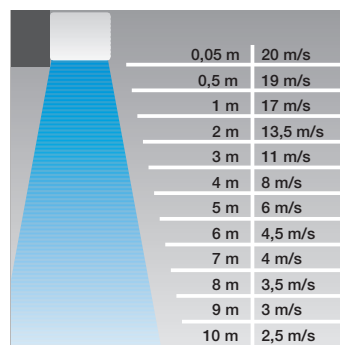
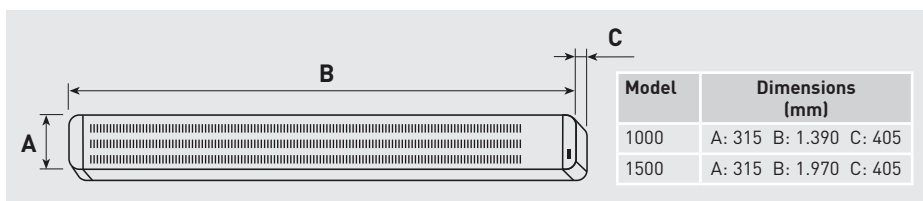
INSTALLATION
HEIGHT



Ease of installation

Fitted with a removable cover up to 180° by means of a set of hinges to ease the wiring.

DIMENSIONS (mm)



ACCESSORIES

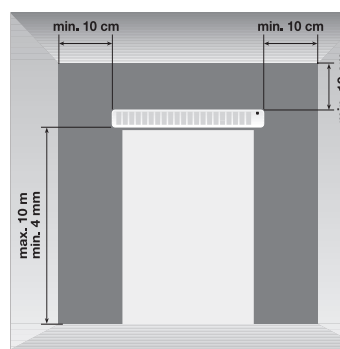


CR-20

Each remote unit can control up to 5 units of the same model in series.
LxWxH (mm): 80x57x120

Power selector and speed remote A	Air curtain model
CR-20	COR-IND 1000 F
	COR-IND 1500 F

Air distance/speed



Installation height

TECHNICAL CHARACTERISTICS

Model	Voltage (50 Hz) (V)	Motor power (W)	Speeds	Airflow (m³/h)		Outout speed ¹ at 0,05 m (m/s)	Sound pressure level ² (dB(A))	Absorbed current (A)	Ambient/ Hot air	Weight (kg)	Colour
				Speed							
				High	Low						
COR-IND 1000 F	230	850	2	4.500	3.600	20	57	4	A	40	White RAL 9003
COR-IND 1500 F	230	1300	2	6.500	5.800	20	61	6	A	50	White RAL 9003

¹ Maximum airflow. Measured according to AMCA 220.
² Measured at 5 meters, in free field.