



Range of single inlet direct drive centrifugal fans designed for smoke extraction in fire conditions and certified F400-120 (CE marked).

All casings are manufactured from electro-welded sheet steel protected against corrosion by grey epoxy-polyester paint coating.

All models incorporate forward curved centrifugal impellers manufactured from galvanised sheet steel.

Available, depending upon the model, with single or three phase motors in 4 or 6 poles.

Motors

All motors are IP55, class H.

Electrical supply:

Three phase 230/400V-50Hz up to 3kW.

Three phase 400V-50Hz, for higher power motors.

[See characteristics chart].

Additional information

The scroll can be orientated in 8 different positions as per the table below.

Standard supplied position: LG 270.

On request

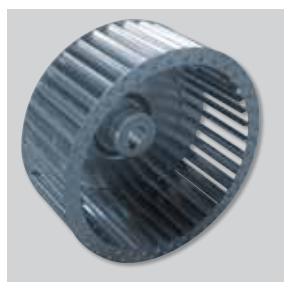
Fan supplied in RD positions.

Fan fitted with 2-speed motor.



Motor approved S1 and S2

F400-120 certified motors approved for running continuously (S1) or for emergency operation (S2).



Impellers dynamically balanced

Forward curved centrifugal impellers dynamically balanced according to ISO 1940 standard, providing vibration free operation.

Specific applications

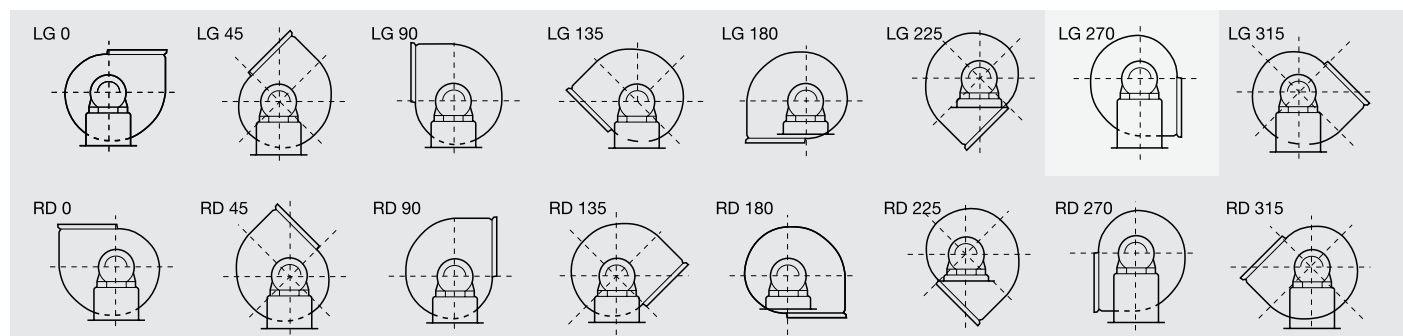


Officially approved to EN12101-3 standard. Certificate n° 0370-CPD-0346



Car parks

POSITIONS



Standard position: LG 270. Special versions are supplied under request.

TECHNICAL CHARACTERISTICS

Before installation check that the product electrical characteristics listed on the data plate label (voltage, power, frequency, etc.) match those of the intended electrical supply.

Model	Speed (rpm)	Motor power (kW)	Maximum current (A)		Maximum airflow (m ³ /h)	Sound pressure level* (dB(A))	Weight (kg)
			230 V	400 V			
THREE PHASE 4 POLE							
CHMT/4-225/90-0,55	1430	0,55	2,4	1,4	2.600	71	34
CHMT/4-250/100-1,1	1390	1,1	4,7	2,7	3.600	72	39
CHMT/4-250/100-1,5	1400	1,5	6,6	3,8	3.900	73	41
CHMT/4-280/115-2,2	1400	2,2	9,5	5,5	5.050	75	64
CHMT/4-315/130-2,2	1400	2,2	9,5	5,5	5.450	72	70
CHMT/4-315/130-3	1400	3	13	7,5	6.400	75	75
CHMT/4-315/130-4	1420	4	-	9,5	7.100	78	80
CHMT/4-355/145-3	1400	3	13	7,5	6.200	75	77
CHMT/4-355/145-4	1420	4	-	9,5	7.700	78	82
CHMT/4-355/145-5,5	1440	5,5	-	12,5	9.300	81	105
CHMT/4-355/145-7,5	1445	7,5	-	16	10.700	83	113
THREE PHASE 6 POLE							
CHMT/6-315/130-1,1	965	1,1	3,3	5,7	5.400	69	70
CHMT/6-355/145-1,1	965	1,1	3,3	5,7	6.700	74	72

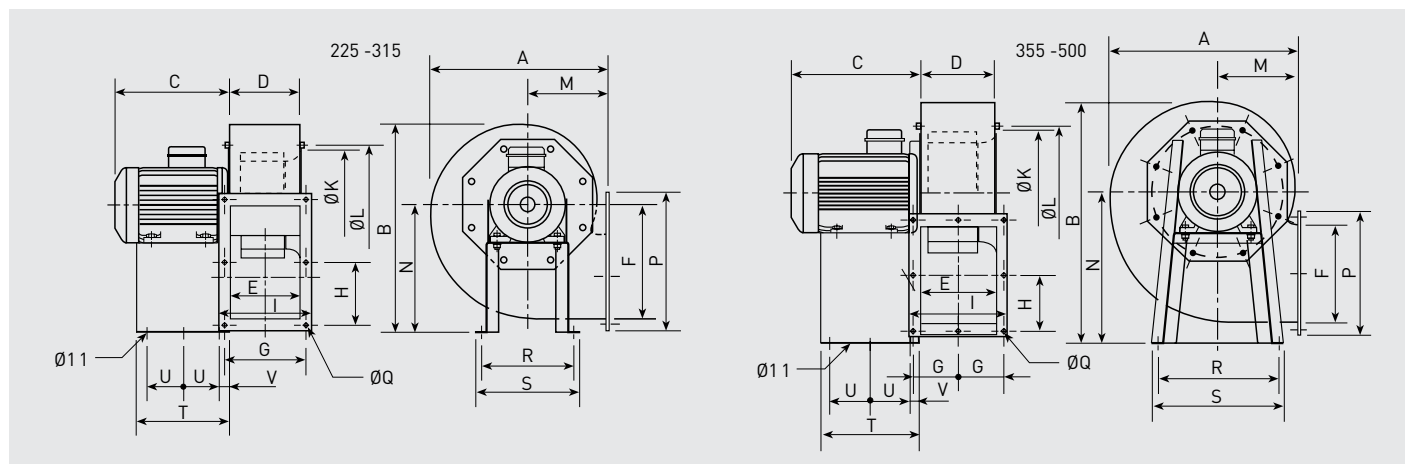
* The values of sound pressure levels, are values measured in dB(A) at 1,5 m at the fan discharge side and at the maximum volume (Qmax).

ACOUSTIC CHARACTERISTICS

Sound power level spectrum in dB(A) at the corresponding frequency band in Hz.

SOUND LEVEL SPECTRUM									TOTAL
Description	63 Hz	125 Hz	250 Hz	500 Hz	1000 Hz	2000 Hz	4000 Hz	8000 Hz	Lw
4 POLES									4 POLES
CHMT/4-225/90 - 0,75	55	67	74	75	80	81	77	73	85
CHMT/4-250/100 - 1,1	56	69	75	76	81	82	78	75	87
CHMT/4-250/100 - 1,5	56	69	75	76	81	82	78	75	87
CHMT/4-280/115 - 2,2	59	72	78	79	84	85	81	78	90
CHMT/4-315/130 - 2,2	56	69	75	76	81	82	78	75	87
CHMT/4-315/130 - 3	59	72	78	79	84	85	81	78	90
CHMT/4-315/130 - 4	62	75	81	82	87	88	84	81	93
CHMT/4-355/145 - 3	59	72	78	79	84	85	81	78	90
CHMT/4-355/145 - 4	62	75	81	82	87	88	84	81	93
CHMT/4-355/145 - 5,5	65	78	84	85	90	91	87	84	96
CHMT/4-355/145 - 7,5	66	79	85	86	91	92	88	85	97
6 POLES									6 POLES
CHMT/6-315/165 - 1,1	54	67	70	78	78	79	74	70	84
CHMT/6-355/145 - 1,1	56	69	72	80	80	81	76	72	86

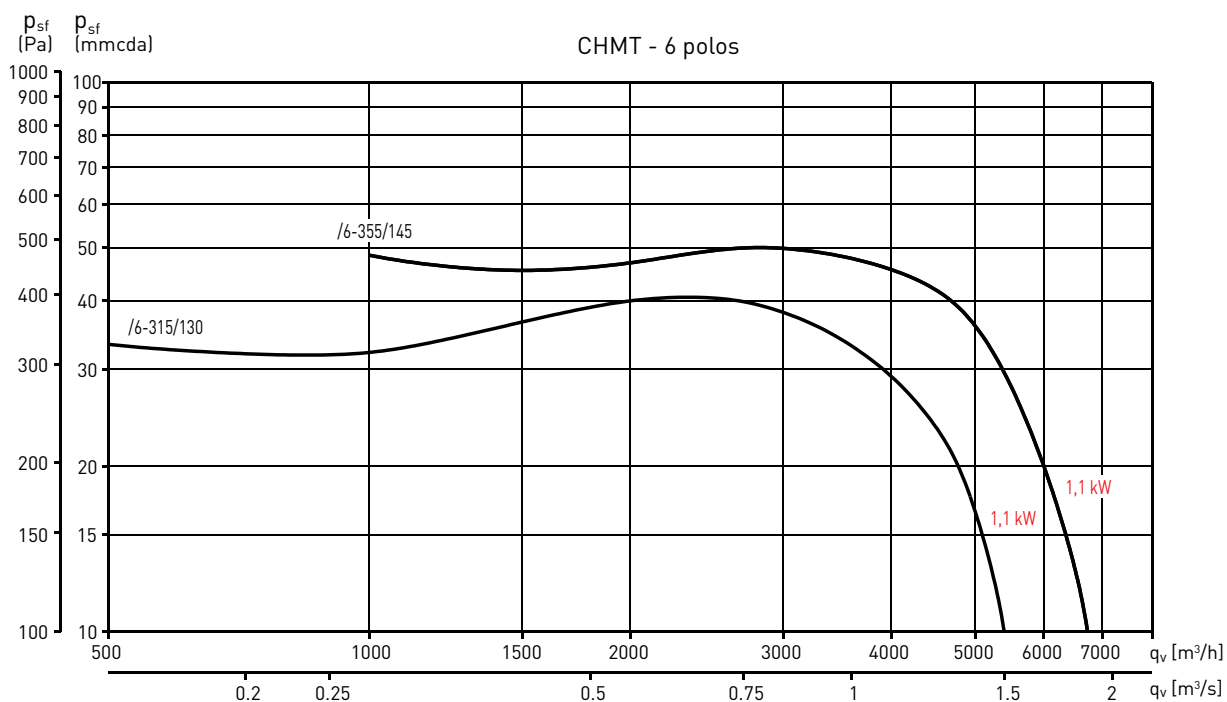
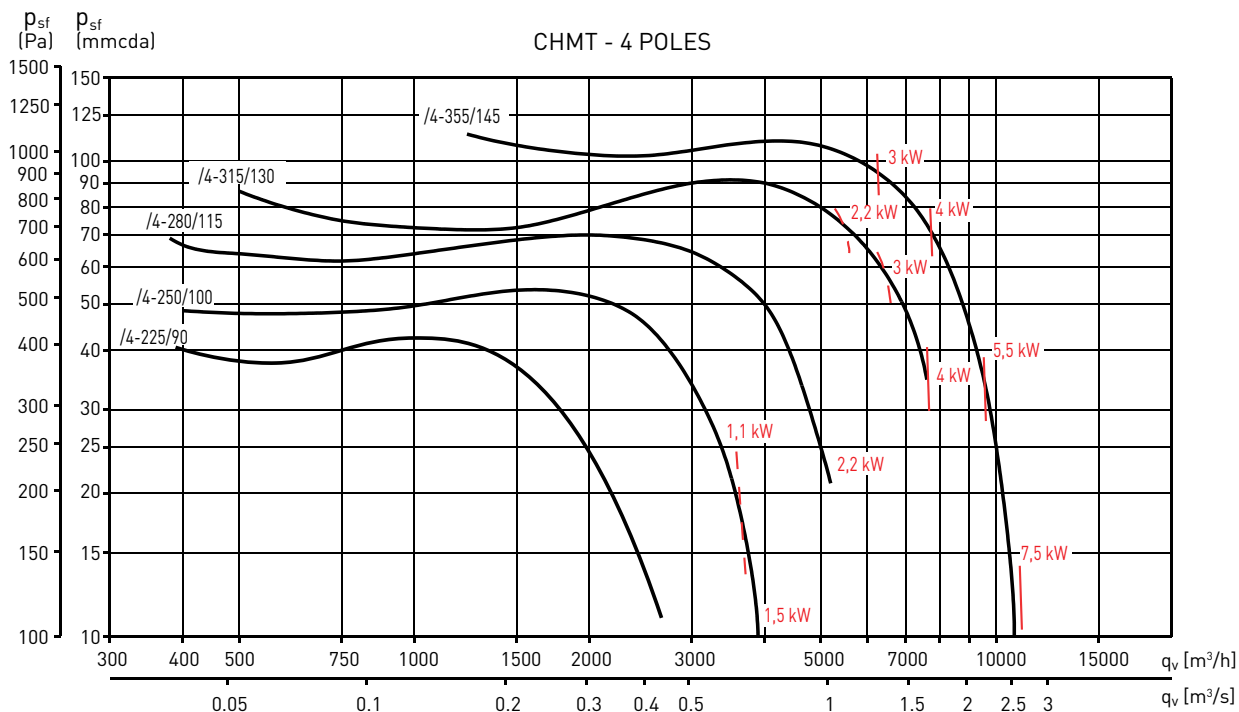
DIMENSIONS (mm)



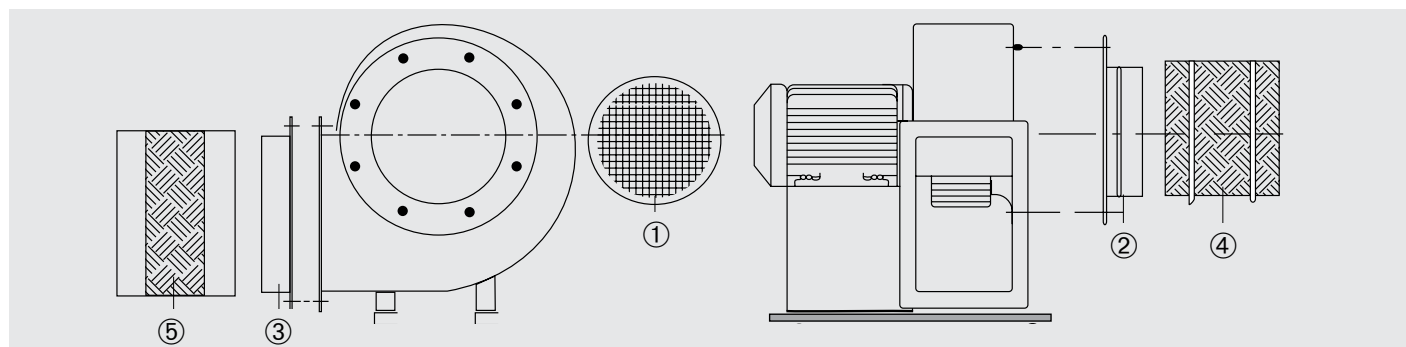
Model CHMT	A	B	C max	D	E	F	G	H	I	K	L	M	N	P	Q	R	S	T	U	V
225/90	386	452	240	144	140	216	180	128	203	234	256	181	280	279	10	220	250	200	3x50	29
250/100	427	503	290	168	165	250	205	145	228	252	282	197	310	313	10,5	228	260	225	3x74	27
280/115	467	547	320	183	180	300	220	170	243	292	320	215	340	363	10,5	245	275	240	2x95	27
315/130	525	630	340	203	200	320	240	180	263	325	354	238	390	383	11	322	352	230	2x140	20
355/145	566	707	435	231	227	280	133	159	291	365	394	250	445	343	11	420	450	333	2x136,5	30

PERFORMANCE CURVES

- q_v : Airflow in m^3/h and m^3/s .
- p_{sf} : Static pressure in mmWG and Pa.
- Dry air at 20°C and 760 mmHg.
- Performance data in accordance with ISO 5801 and AMCA 210-99 Standards.

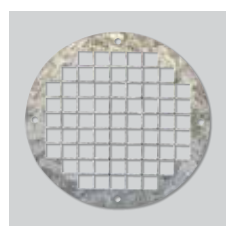


MOUNTING ACCESSORIES

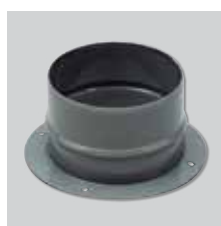


CHMT model	① Inlet guard	② Inlet mounting flange	③ Discharge mounting flange	④ Circular flexible connector	⑤ Rectangular flexible connector
225/90	KRJ-225	KBA-225	KBD-225	ACOPEL F400-225/160 N	KAD-225 F400
250/100	KRJ-250	KBA-250	KBD-250	ACOPEL F400-250/160 N	KAD-250 F400
280/115	KRJ-280	KBA-280	KBD-280	ACOPEL F400-280/160 N	KAD-280 F400
315/130	KRJ-315	KBA-315	KBD-315	ACOPEL F400-315/160 N	KAD-315 F400
355/145	KRJ-355	KBA-355	KBD-355	ACOPEL F400-355/160 N	KAD-355 F400

MOUNTING ACCESSORIES



KRJ
Inlet guard.



KBA
Inlet mounting flange.



KBD
Discharge mounting flange.

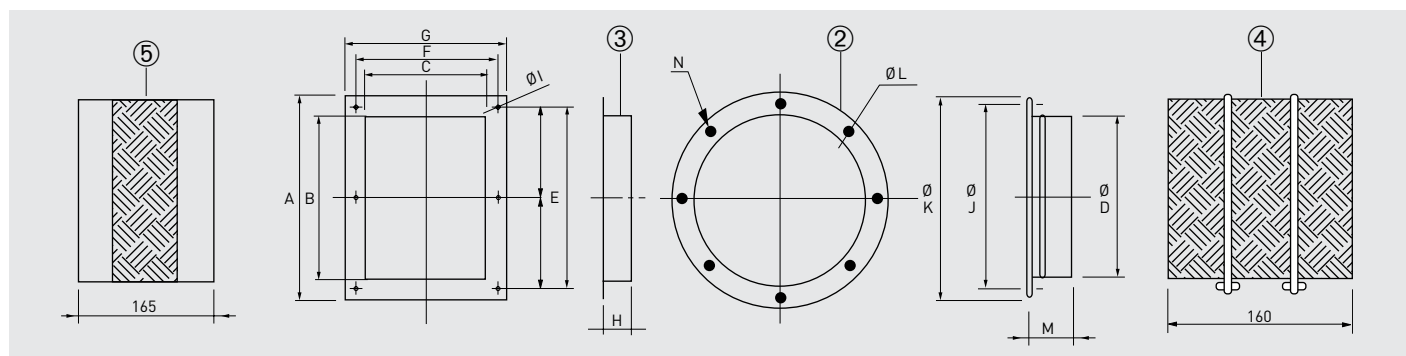


ACOPEL F400 N
Circular flexible connector.
Certified F400-120.



KAD F400
Rectangular flexible connector.
Certified F400-120.

MOUNTING ACCESSORIES - DIMENSIONS (mm)



Accessory model	A	B	C	ØD	E	F	G	H	ØI	ØJ	ØK	ØL	M	N
225/90	279	219	143	224	256	180	203	45	10	256	280	9	65	8
250/100	313	253	168	250	290	205	228	45	10	282	306	9	65	8
280/115	363	303	183	280	340	220	243	50	10	320	348	9	65	8
315/130	383	323	203	315	360	240	263	50	11	354	382	9	65	8
355/145	343	283	231	355	318	266	291	50	11	394	422	9	65	8