

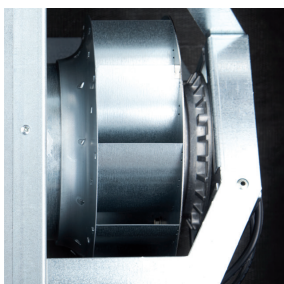


Acoustic cabinet fans specifically designed to provide ventilation solutions for dwelling applications.

- Low profile acoustic cabinet fans with sound absorbent insulation.
- Square duct connection flange on the inlet.
- Backdraught shutter fitted on the outlet.
- Suitable for mounting in any orientation and operation within ambient air temperatures between -15°C up to +55°C.

Construction

- Fan casing manufactured from heavy gauge sheet steel and internally lined with 7mm thickness of melamine foam.
- High efficiency direct drive backward centrifugal impeller.
- IP54, class F external rotor motor with thermal overload protection, suitable for single phase supply 230V/50-60Hz.
- Fan supplies with four mounting feet and external connection box to ease the installation.



Direct drive backward centrifugal impeller.



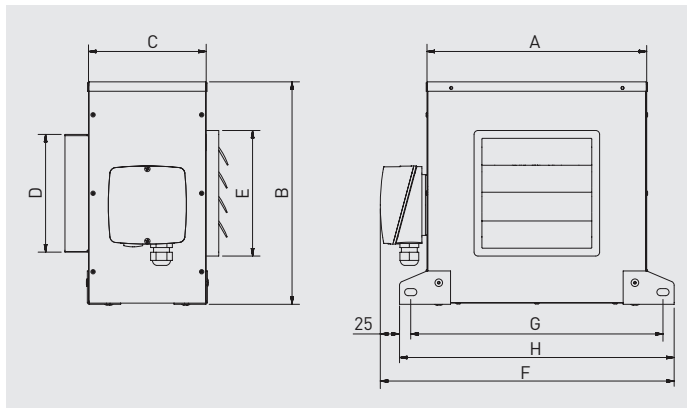
IP55 External connection box.

TECHNICAL CHARACTERISTICS

Model	Fan size (V/Hz)	Speed (rpm)	Max.abs. power (W)	Max.abs. current at 230V (A)	Max. airflow (m³/h)	Sound pressure level ** (dB(A)) at 1,5 m		Weight (kg)
						Inlet	Outlet	
CAB-100-E	230/50	2690	34	0,1	270	45	41	3,7
	230/60	3100	40	0,2	290	49	44	
CAB-125-E	230/50	2730	62	0,3	410	54	50	5,1
	230/60	3060	84	0,4	440	55	51	
CAB-160-E	230/50	2700	103	0,4	710	59	55	6,7
	230/60	2700	143	0,6	730	60	56	
CAB-200-E	230/50	2760	151	0,6	980	60	56	7,9
	230/60	3110	213	0,9	1070	60	57	
CAB-250-E	230/50	2690	204	0,9	1190	63	60	9,1
	230/60	2950	305	1,3	1330	64	61	

*Sound pressure level measured in free field condition at 1,5m, at the medium working point on the performance curve.

DIMENSIONS (mm)



Model	A	B	C	D	E	F	G	H
CAB-100-E	280	284	150	150	160	375	322	350
CAB-125-E	333	336	175	165	194	427	374	403
CAB-160-E	385	389	200	200	240	480	427	455
CAB-200-E	394	397	235	225	289	488	435	464
CAB-250-E	438	441	245	290	346	533	480	508

PERFORMANCE CURVES

- q_v : Airflow in m^3/h and m^3/s .
- p_{st} : Static pressure in Pa.
- Dry air at 20°C and 760 mmHg.
- Performance data in accordance with ISO 5801 and AMCA 210-99 Standards.
- Sound pressure levels (Lp dB(A)) measured at inlet, at 1,5 meters distance.

