



Decorative cooker hoods.

**Characteristics:**

Professional type aluminium filters.  
Speed selector: frontal push button.  
Telescopic chimney fitting.  
Backdraft shutter.  
Reducer for discharge from 150 to 120 mm, for Ø 120 ducts.

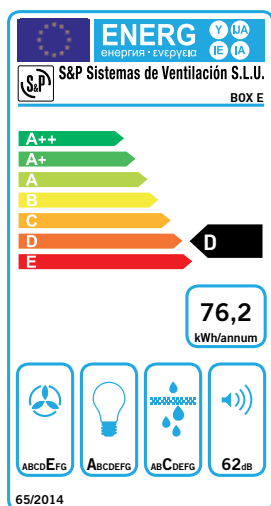
**Modos funcionamiento**



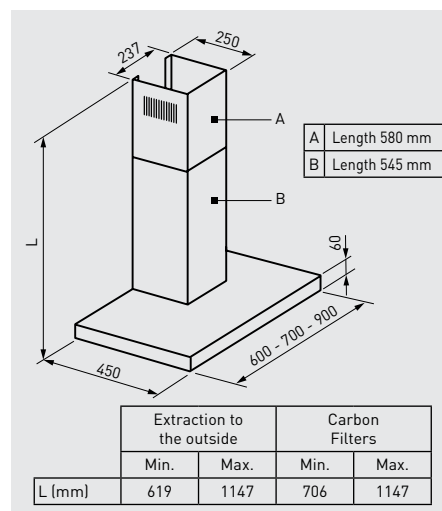
Outlet



Air recirculation through carbon filter (accessory).



**DIMENSIONS (mm)**



**TECHNICAL CHARACTERISTICS**

Model	Color	Diameter discharge tube (mm)	Ø Discharge duct (mm)	Airflow at free discharge (m³/h)	Supply	Speed	Motors	Power (W)	Illumination	Maximum absorbed current (A)	Sound pressure level* (dB (A))
BOX-600 E INOX	INOX	600	150	410	230V-50/60Hz	3	1	135	Led 2x2,5W	0,8	51
BOX-700 E INOX	INOX	700	150	410	230V-50/60Hz	3	1	135	Led 2x2,5W	0,8	51
BOX-900 E INOX	INOX	900	150	410	230V-50/60Hz	3	1	135	Led 2x2,5W	0,8	51

\* Sound pressure level measured at 1,5 m at free air conditions.

**ACCESSORIES**



**GSA-125 M0**  
**GSA-150 M0**  
Flexible aluminium ducting



**CX- 125/215**  
Worm drive clips



**PER-125 W**  
**PER-160 W**  
Backdraft shutters



**GRA-100**  
**GRA-150**  
Aluminium guards



**CT-125**  
**CT-150**  
Cowl

**CARBON FILTER BOX E**